

Han 10A Halterahmen für 1 Modul

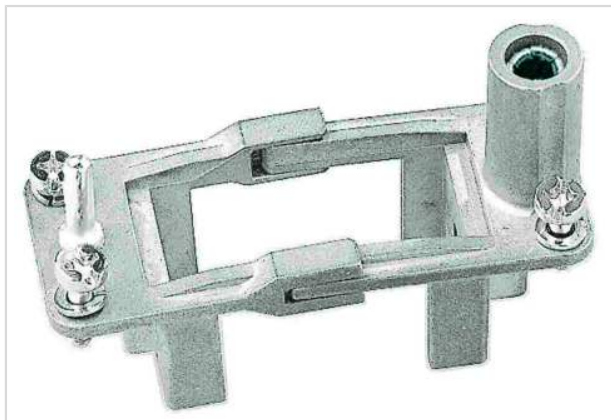


Image is for illustration purposes only. Please refer to product description.

Part number	09 14 000 0304
Specification	Han 10A Halterahmen für 1 Modul
HARTING eCatalogue	https://b2b.harting.com/09140000304

Identification

Category	Accessories
Type of accessory	Frame
Description of the accessory	for 1 module In housing Han [®] 10 A

Technical characteristics

Conductor cross-section	4 ... 10 mm ² PE (power side) 1 ... 2.5 mm ² PE (signal side)
-------------------------	--

Material properties

Material (accessories)	Zinc die-cast
RoHS	compliant with exemption
RoHS exemptions	6(c): Copper alloy containing up to 4 % lead by weight
ELV status	compliant with exemption
China RoHS	50
REACH Annex XVII substances	Not contained
REACH ANNEX XIV substances	Not contained
REACH SVHC substances	Yes
REACH SVHC substances	Lead
ECHA SCIP number	5dbb3851-b94e-4e88-97a1-571845975242
California Proposition 65 substances	Yes
California Proposition 65 substances	Lead Nickel



Pushing Performance
Since 1945

Commercial data

Packaging size	2
Net weight	39.38 g
Country of origin	Germany
European customs tariff number	85389099
GTIN	5713140018181
eCl@ss	27440210 Fixing element for industrial connectors