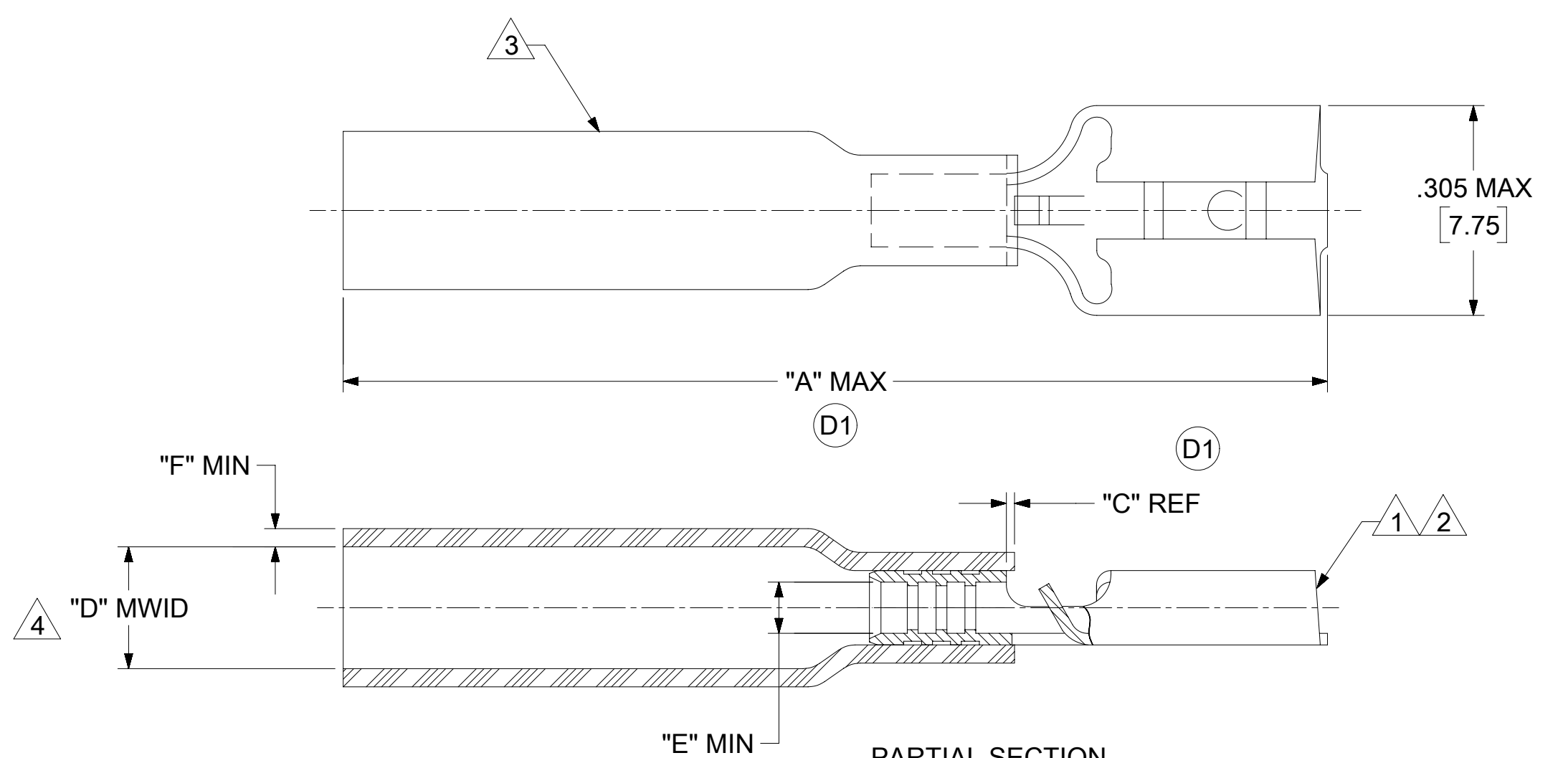


MAT'L NO.	ENG. NO.	WIRE SIZE AWG	FITS MALE TAB	PERMA-SEAL COLOR	STOCK THICKNESS	"A" MAX	"D" ± .010 (0.25)	"E" MIN	"F" MIN	DIM "C" REF
191640012	SAA-2140	22-18	.250 X .032	RED	.016 (0.40)	1.45 (36.8)	.235 (5.97)	.060 (1.52)	.025 (0.64)	.03 (0.8)
191640047	SBB-2141	16-14		BLUE		1.47 (37.3)		.082 (2.08)		.05 (1.3)
191640059	SC-2143	12-10		YELLOW	.018 (0.46)	1.43 (36.3)	.310 (7.62)	.148 (3.76)	.029 (0.74)	.07 (1.8)



- NOTE(S):
- 1 TERMINAL MATERIAL: BRASS  
THICKNESS: SEE CHART.
  - 2 FINISH: ELECTRO-TIN PLATED
  - 3 INSULATION MATERIAL: HEAT SHRINKABLE TUBING  
WITH HOTMELT ADHESIVE INNER LINER.  
COLOR: SEE CHART.
  - 4 MWID = MAXIMUM WIRE INSULATION DIAMETER.

SYMBOLS		THIS DRAWING CONTAINS INFORMATION THAT IS PROPRIETARY TO MOLEX ELECTRONIC TECHNOLOGIES, LLC AND SHOULD NOT BE USED WITHOUT WRITTEN PERMISSION	
▽ = 0	IN/MM	SCALE	CURRENT REV DESC: ADD OVERHANG DIM
▽ = 0	NTS		
▽ = 0	GENERAL TOLERANCES (UNLESS SPECIFIED)		<b>molex</b> FEMALE QD PERMA-SEAL .250 X .032 TAB SIZE PRODUCT CUSTOMER DRAWING
▽ = 0	4 PLACES ±	MM INCH	
▽ = 0	3 PLACES ±	± 0.005	
▽ = 0	2 PLACES ±	± 0.13 ± 0.01	
▽ = 0	1 PLACE ±	± 0.25 ±	
▽ = 0	0 PLACES ±		EC NO: 620694 DRWN: DMYRICK 2019/07/10 CHK'D: JMACNEIL 2019/07/18 APPR: JMACNEIL 2019/07/18
▽ = 0	ANGULAR TOL ±	0.5°	INITIAL REVISION: DRWN: BENDERLE 2003/02/18 APPR: RDEROSS 2003/02/19
▽ = 0	DRAFT WHERE APPLICABLE MUST REMAIN WITHIN DIMENSIONS	THIRD ANGLE PROJECTION	DOCUMENT NUMBER: SD-19164-040 DOC TYPE: PSD DOC PART: 001 REVISION: D1
▽ = 0		DRAWING: B-SIZE	MATERIAL NUMBER: SEE CHART CUSTOMER: GENERAL MARKET SHEET NUMBER: 1 OF 1