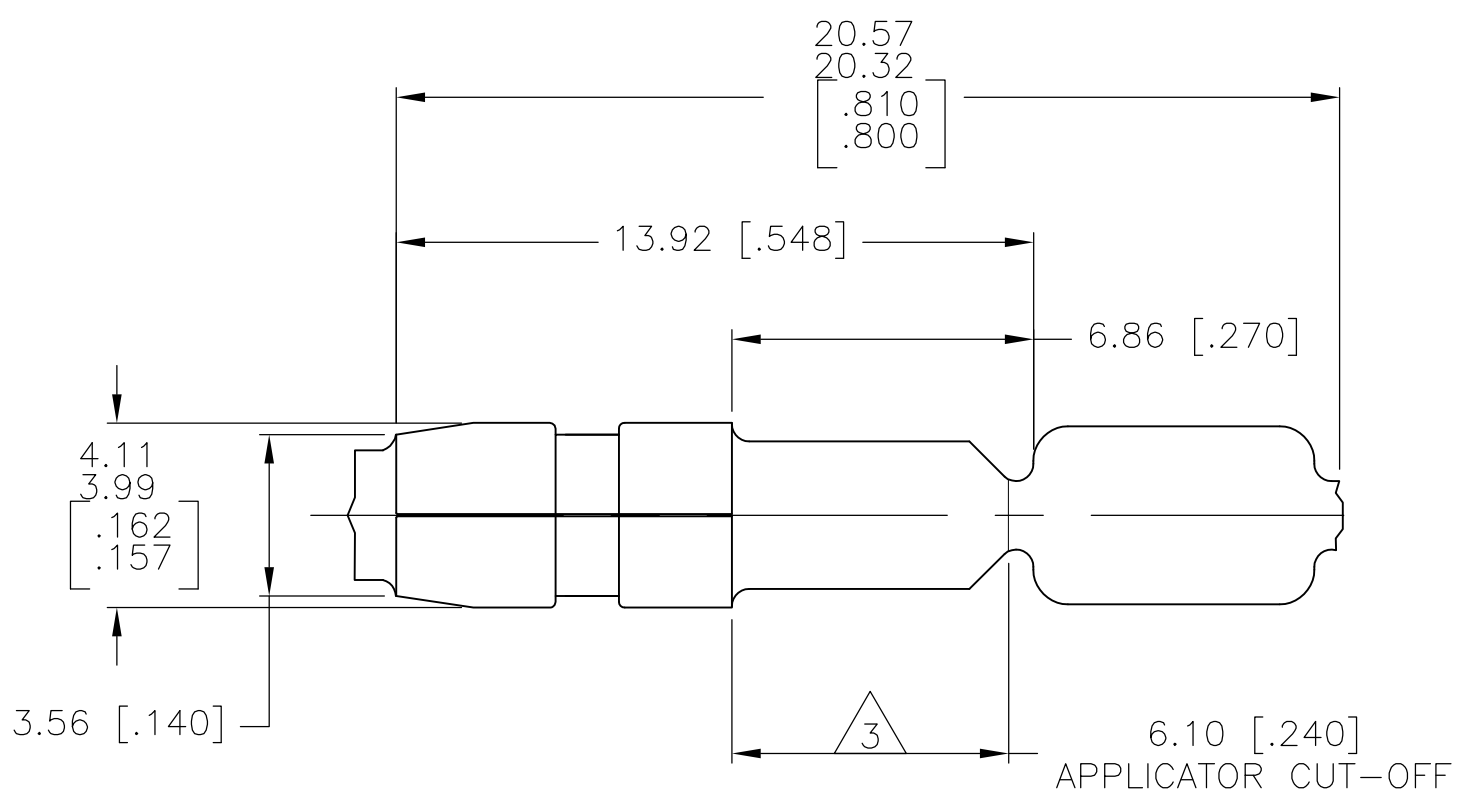
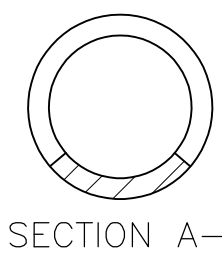
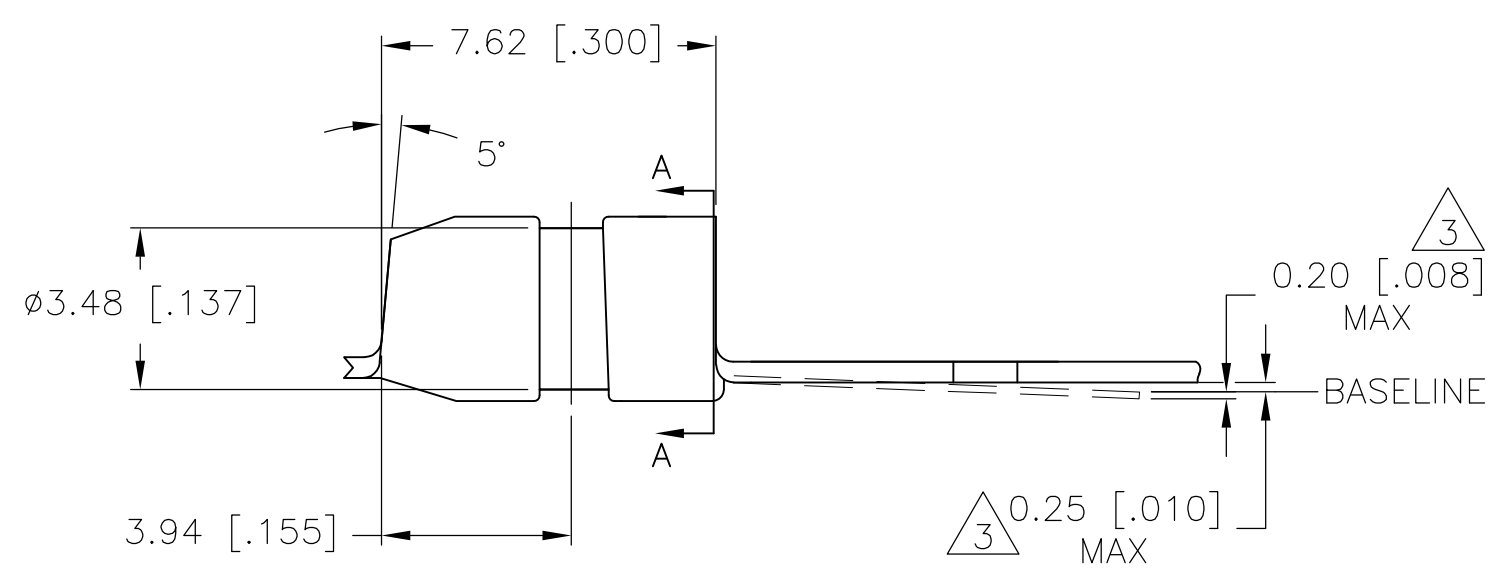


THIS DRAWING IS UNPUBLISHED. RELEASED FOR PUBLICATION
 © COPYRIGHT BY TYCO ELECTRONICS CORPORATION. ALL RIGHTS RESERVED.

LOC	DIST	REVISIONS			
P	LTR	DESCRIPTION	DATE	DWN	APVD
AF	50	H1	REVISED PER ECR-07-012344	05JUN07	HMR DD



- 1 DIMENSIONS IN BRACKETS ARE IN INCHES
- 2 CONTINUOUS STRIP ON REELS
- △3 0.25 [.010] MAX DIM ABOVE BASELINE,
0.20 [.008] MAX DIM BELOW BASELINE,
TO BE HELD OVER 6.10 [.240] APPLICATOR CUT-OFF.
- △4 REELED WITH PAPER
- △5 PRELIMINARY NOT FOR PRODUCTION.



FINISH	MATERIAL	PART NO
△4 PRE-TIN	0.46 [.018] BRASS	62829-3
-	0.46 [.018] NI-SILVER(65-18)	△5 62829-2
PRE-TIN	0.46 [.018] BRASS	62829-1

THIS DRAWING IS A CONTROLLED DOCUMENT.		DWN RAGHAVENDRA 05JUN07	Tyco Electronics Corporation Harrisburg, Pa 17105-3608	
DIMENSIONS: mm [INCHES]	TOLERANCES UNLESS OTHERWISE SPECIFIED:	CHK D DECKER 05JUN07	APVD D DECKER 05JUN07	
	0 PLC ± -	NAME		
	1 PLC ± -	PRODUCT SPEC		
	2 PLC ± -	APPLICATION SPEC		
	3 PLC ± 0.38 [.015]	SIZE CAGE CODE DRAWING NO RESTRICTED TO		
MATERIAL SEE TABLE	FINISH SEE TABLE	4 PLC ± -		A3 00779 C-62829
		ANGLES ± -	SCALE 6:1 SHEET 1 OF 1 REV H1	
CUSTOMER DRAWING		WEIGHT -		