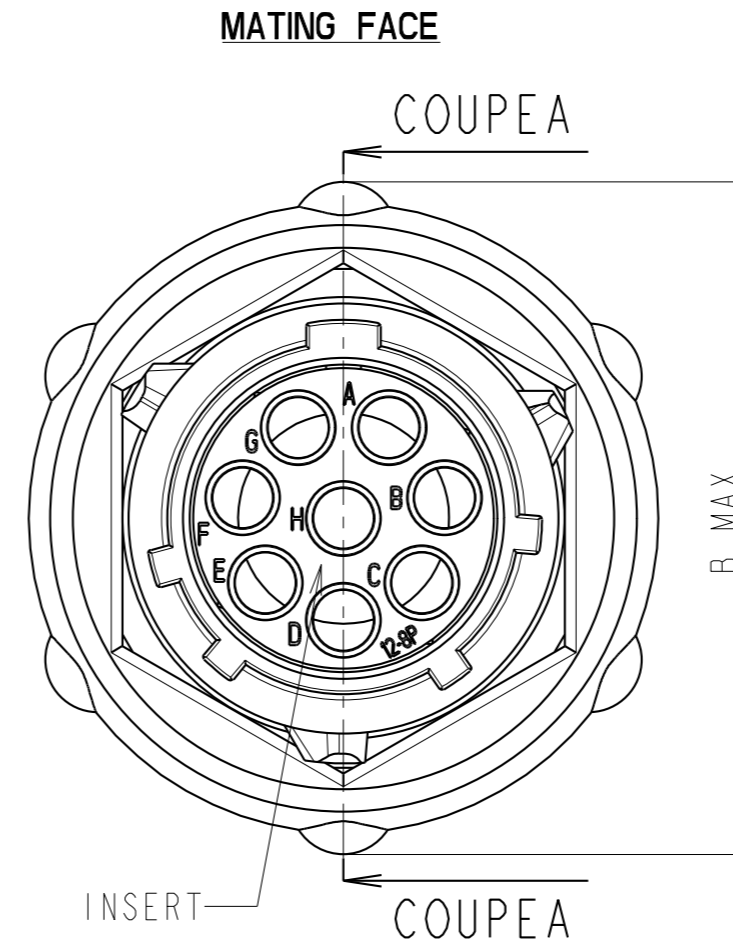
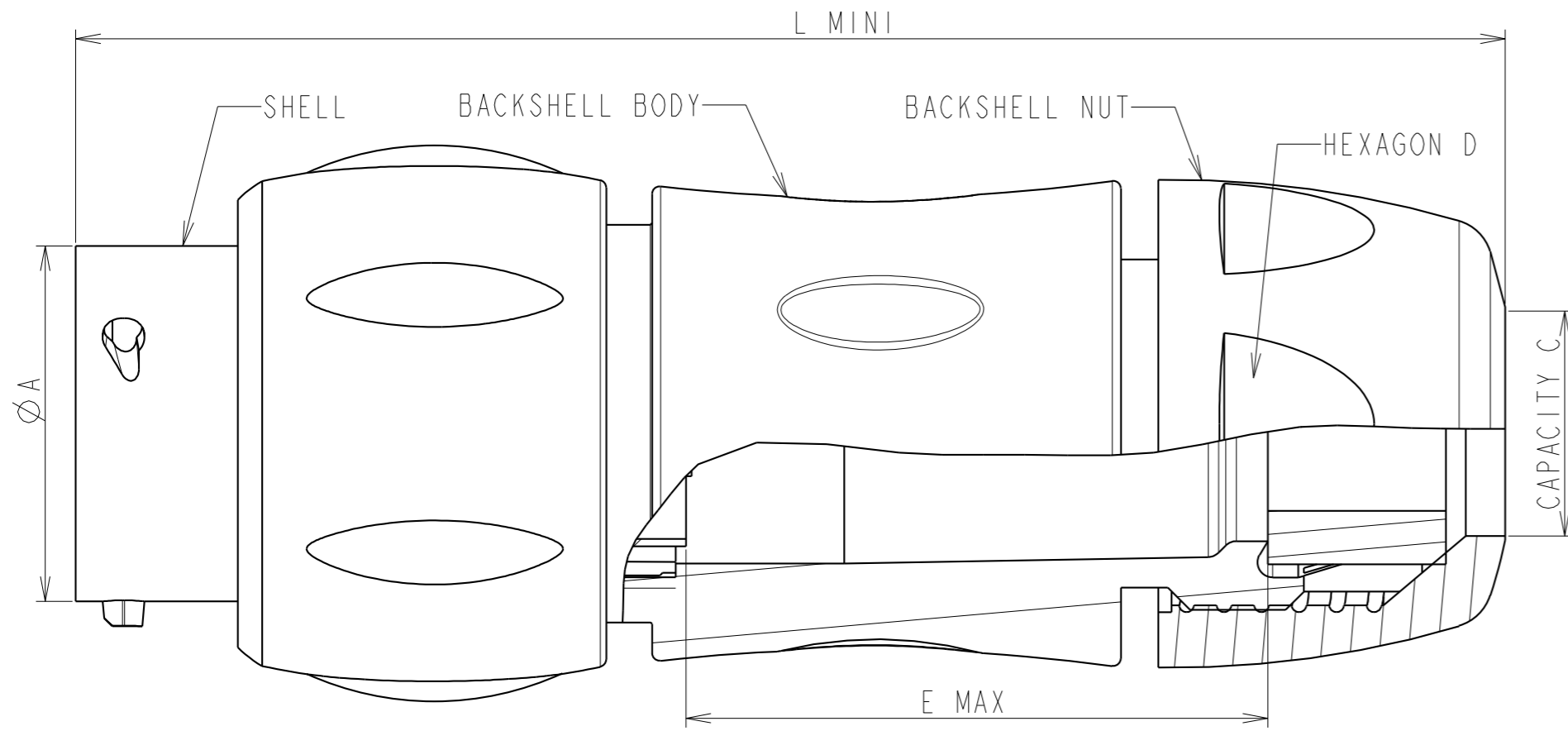


COUPE COUPEA-COUPEA
ECHELLE 3/1

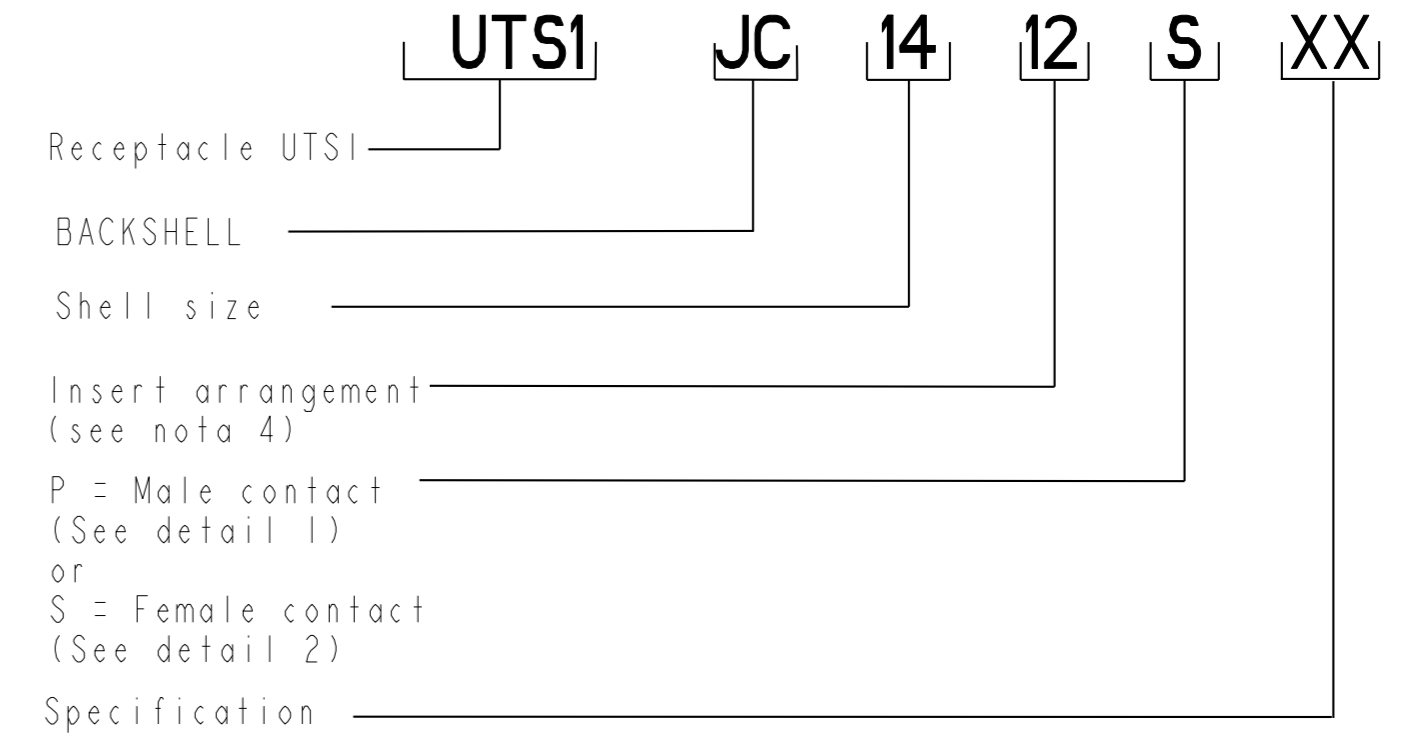


MATERIAL :
Inset: Polyamid UL94 V0
Shell : Polyamid UL94 V-0
Seal gasket : Sealing IP68/69K : Silicone
O'ring : Nitril

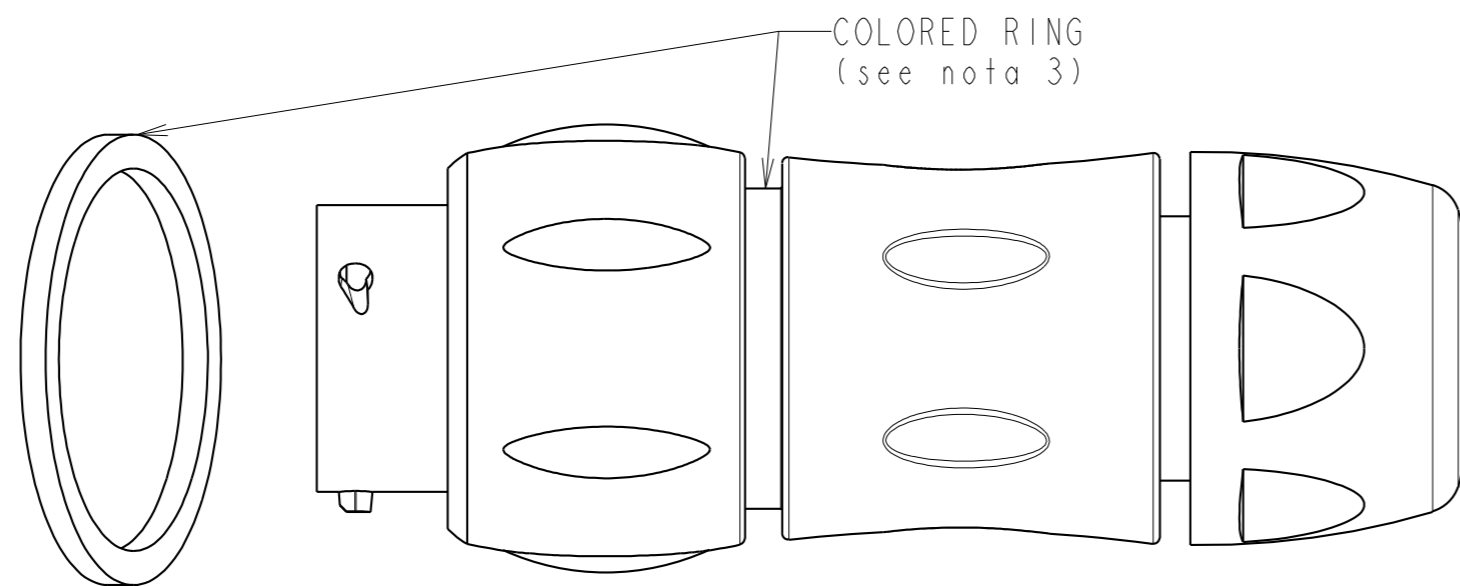
PERFORMANCE CHARACTERISTICS :
Operating temperature: -40°C up to 105°C
Insulation resistance: 5000 MΩmin
Contact resistance: < 3 mΩ
Test potential: 2000 Vrms for #16 layout and 1500Vrms for #20 layout
Corrosion salt spray: 500 hours
Durability: 250 matings and unmatings
Sealing in mated conditions:
-IP68 1 bar during 1 week : immersion under 10 m of water. (IEC 60529)
-IP69K : exposure to high pressure water of cleaning equipment (DIN 40050)

NOTES :
-1- Plug, backshell and the reducing seal are delivered as a kit. The backshell already includes the standard seal.
-2- Contact to be ordered separately : refer to TRIM TRIO catalog
-3- Colored ring to be ordered separately refer to customer drawing C006-UTSI-A
-4- Insert arrangements: refer to : C008-UTSI-A (Female insulator)
UTO-CONTACT-L-C02 (Female insulator)
UTOW-CONTACT-L-C02 (Female insulator)
C007-UTSI-A (Male insulator)
UTO-CONTACT-L-C01 (Male insulator)
UTOW-CONTACT-L-C01 (Male insulator)

SHELL SIZE	LAYOUT	∅A±0.15	L MINI	B MAX	E MAX		HEXAGON D	CAPACITY C		STATUS
					MALE	FEMALE		STANDARD SEAL	REDUCING SEAL	
10	see nota 4	14.9	70	26.7	31	38	18.5	2.5 / 8	1.5 / 5	AVAILABLE SOON
12		19.00	74	30.15	34	41.5	24	5 / 12	3 / 9	AVAILABLE SOON
14		22.2	78.5	35.1	38	45.5	26	7 / 14	5 / 12	AVAILABLE SOON
18		28.5	89	42	46.5	54	33	09 / 18	7 / 16	TO BE DEVELOPED (CONSULT FACTORY)



CUSTOMER DRAWING



A	21/01/08	New drawing	
ISS	DATE	Latest modification - by:	MOD N°
Designed by: RAGAINEM		Date: 21/01/08	CUSTOMER DRAWING
TITLE		UTS CONNECTOR IN-LINE RECEPTACLE	
Scale	1/1	General linear Tolerances: ±0.1	NPRDS / PROJECT UTSI
		WWW.SOURIAU.COM	This document is the property of SOURIAU. It must not be reproduced or communicated without permission.
FORMAT	A2	SOURIAU DRG N° CO24-UTSI-B	SHEET

NOT EXPORT CONTROLLED