

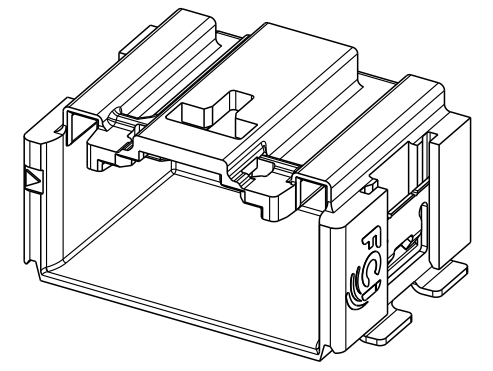
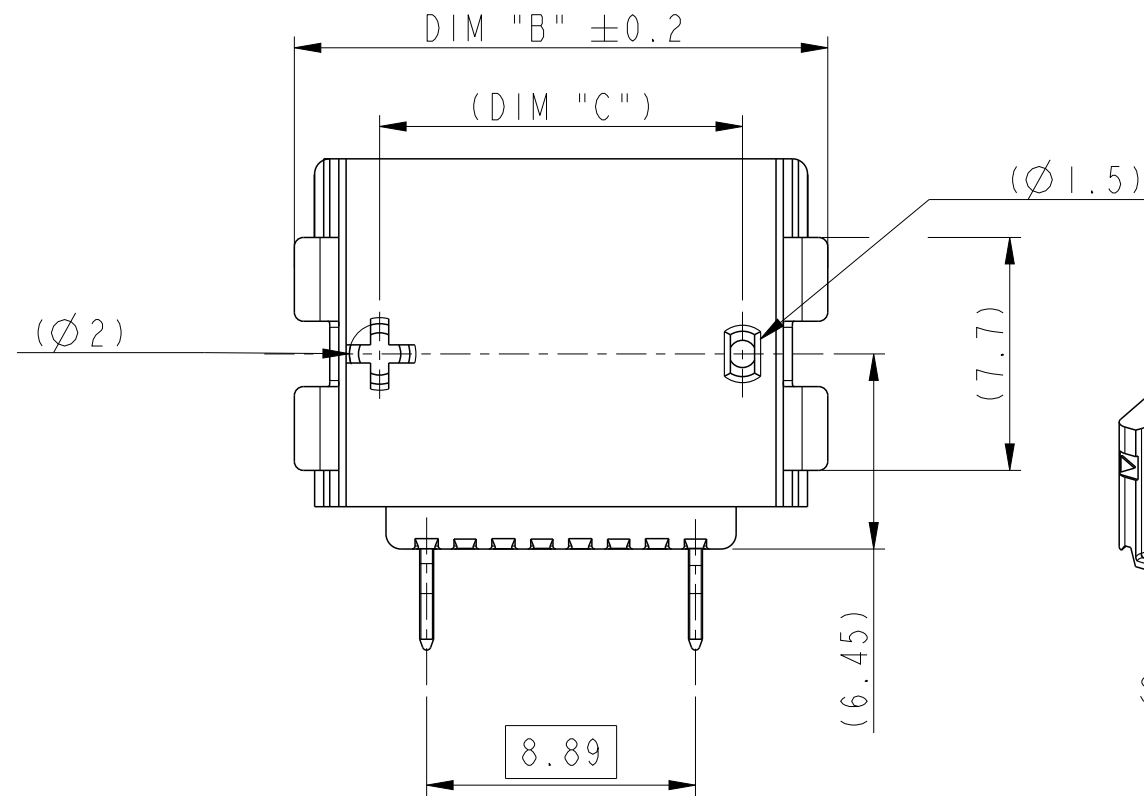
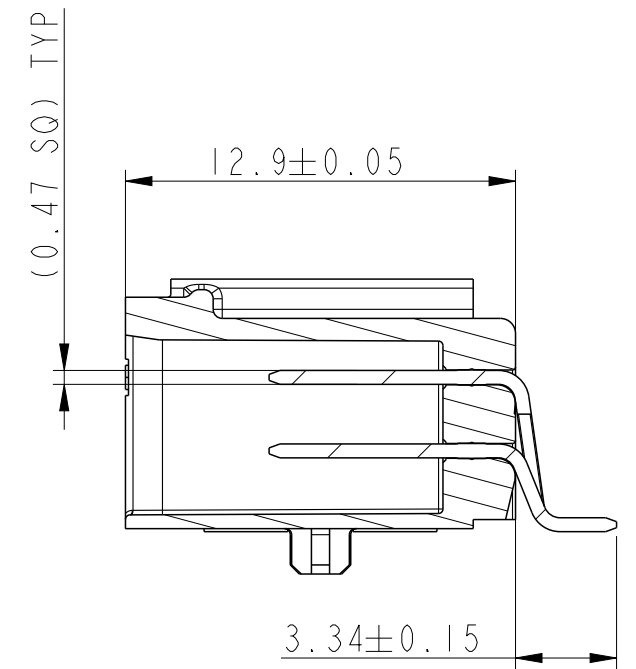
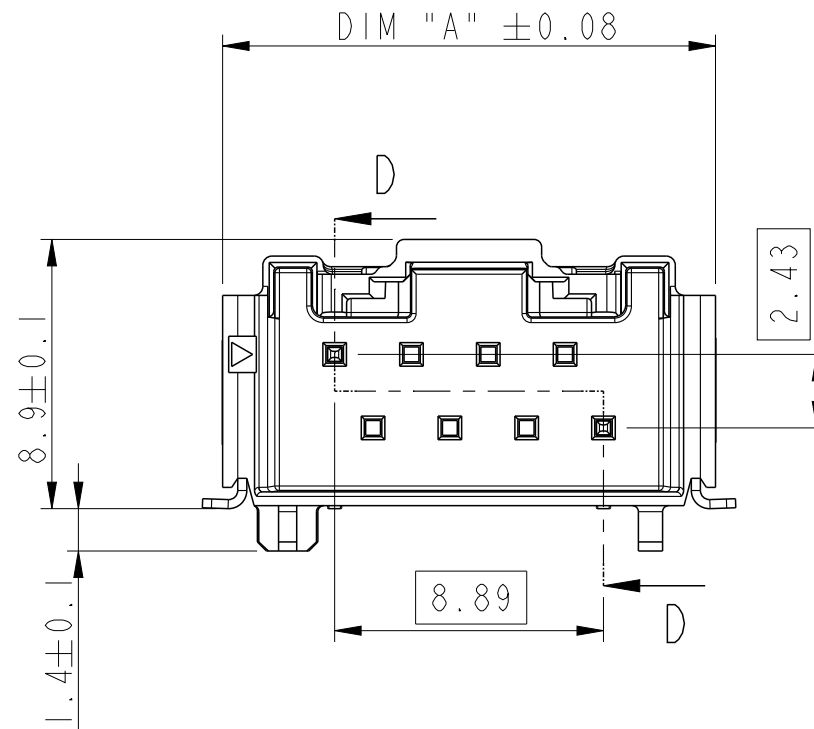
PRODUCT DESCRIPTION CODE :

10170438-1XXZZK_LF

- RoHS COMPATIBLE, SEE NOTE 5
- FOR CUSTOMER CODE :
BLANK = GENERAL USE
V = CUSTOMER DEDICATED PART
- PACKAGING :
K = TAPE & REEL
- NUMBER OF CONTACTS : SEE TABLE
- NUMBER OF POSITIONS : SEE TABLE
- PLATING :
1 = 3µm MIN MATTE TIN (PREPLATED)
2 = 3µm MIN MATTE TIN (POST-PLATED)
3 = 0.76µm MIN GOLD (CONTACT AREA)
ALL OVER NICKEL UNDERLAYER

NOTES:

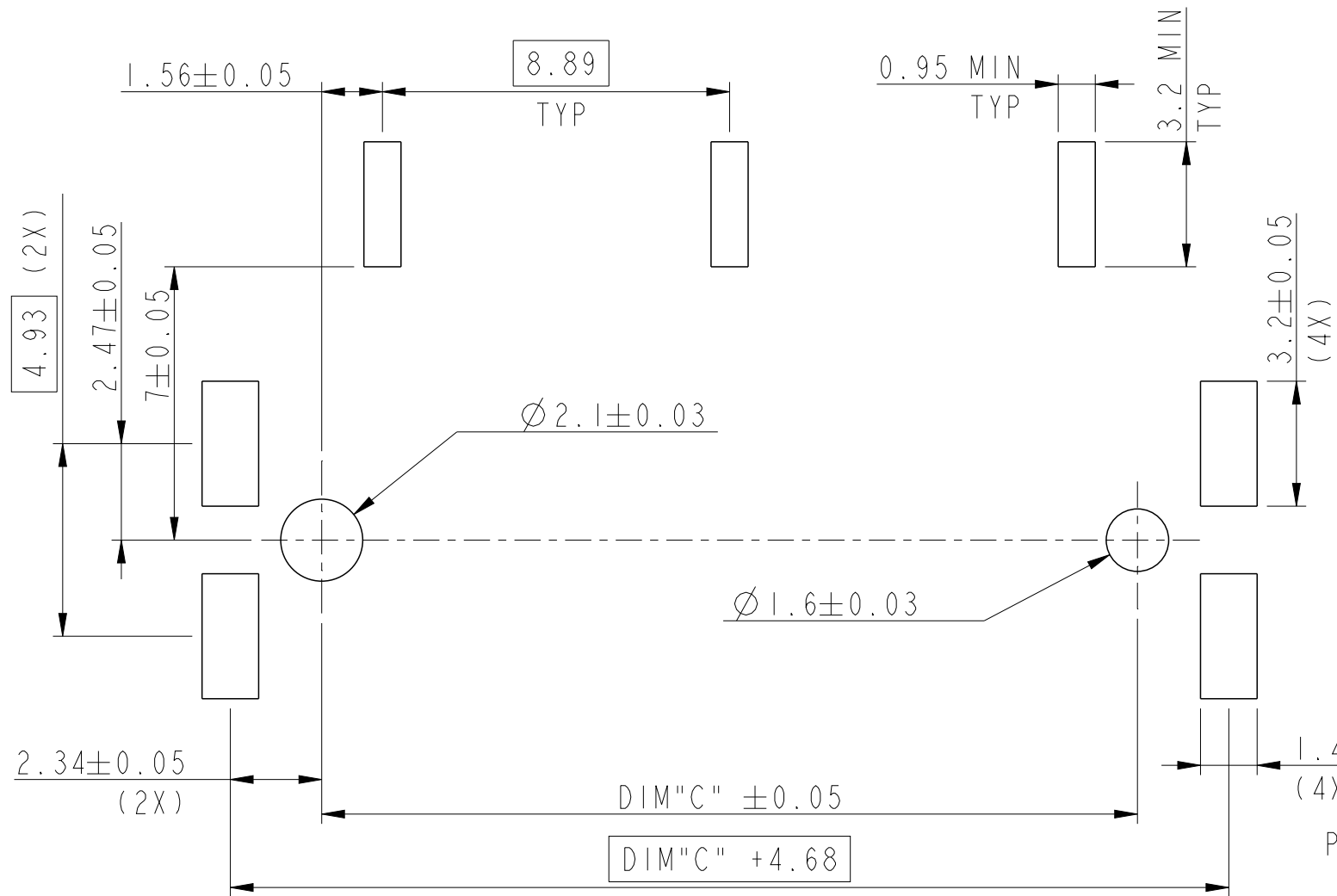
- 1 - MATERIAL:
HOUSING : HIGH TEMPERATURE THERMOPLASTIC
COLOR ORANGE (RAL2003) UL94 V-0
REGRIND < 30%
PIN : HIGH CURRENT COPPER ALLOY
- 2 - TO BE MATED WITH MINITEK µSPACE HIGH VOLTAGE RECEPTACLE SERIES 10170389
- 3 - VOLTAGE UP TO 1200V WITH PCB CTI ≥ 600 (Class 1)
- 4 - PRODUCT SPECIFICATION : GS-12-1821
APPLICATION SPECIFICATION : GS-20-0513
PACKAGING SPECIFICATION : GS-14-2790
- 5 - RoHS COMPATIBLE PRODUCT SPECIFICATIONS
 - a - PLATING:
"LF" MEANS THE PRODUCT IS LEAD FREE,
3µm MINIMUM MATTE TIN OVER 1.27µm MINIMUM NICKEL UNDERPLATE.
 - b - MANUFACTURING PROCESS COMPATIBILITY:
THE HOUSING WILL WITHSTAND EXPOSURE TO 260°C PEAK TEMPERATURE FOR 30 SECONDS MAX IN A CONVECTION, INFRA-RED OR VAPOR PHASE OR REFLOW OVEN.
 - c - LABELLING :
MEETS PACKAGING SPECS AS PER GS-14-920
 - d - LEGAL STATEMENT :
SEE GS-47-0004.



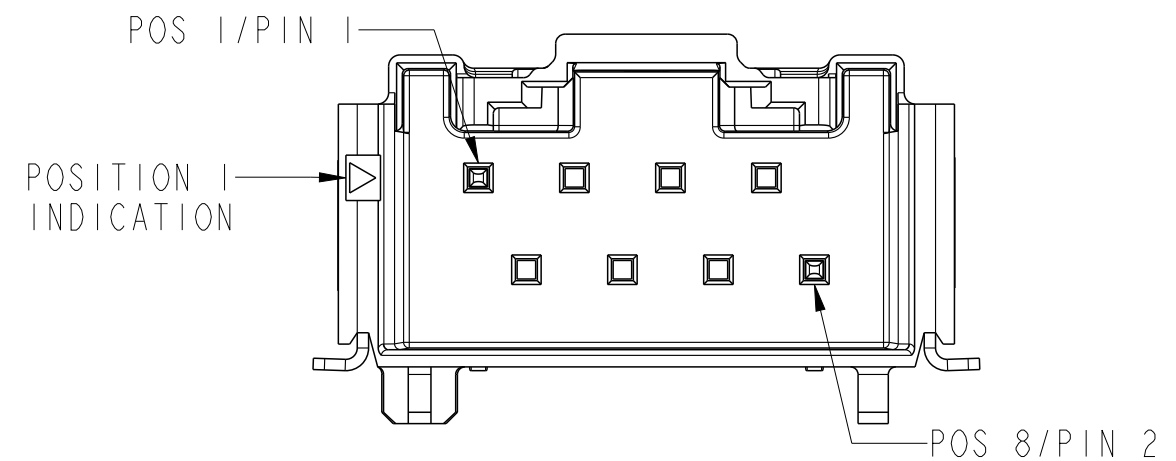
SCALE 3:1

spec ref	GS-12-1821	dr	Huang, Yin-Chi	2023/01/17	projection	mm	size	A3	scale	4:1
tolerance std	ISO 406 ISO 1101	eng	Moisan, Gwenda	2023/03/16			ecn no	rel level	Released	rev
TOLERANCES UNLESS OTHERWISE SPECIFIED		chr	Huang, Yin-Chi	2023/03/16						
surface	linear	0.X	±0.3		product family		dwg no	10170438	sheet 1 of 2	A
		0.XX	±0.10							
		0.XXX	±0.005							
	angular	0°	±2°	cat. no.	Product - Customer Drw					

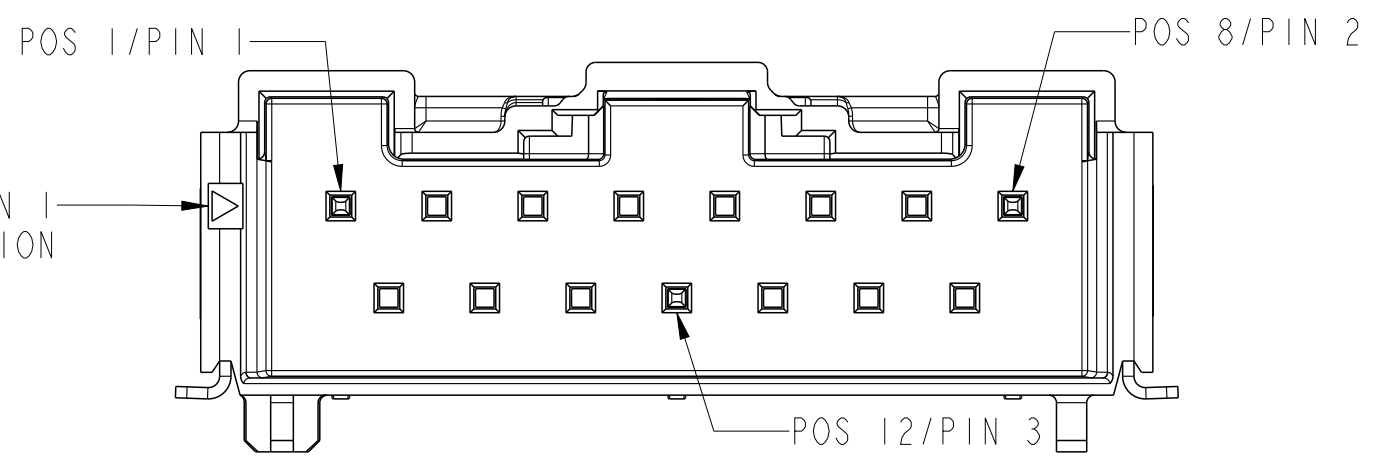
PART NO.	AVAILABILITY	NO. OF POSN	NO. OF CONTACT	DIM "A"	DIM "B"	DIM "C"
10170438-10802KLF	TOOLED	08	02	16.30	17.63	12.00
10170438-11503KLF	ON DEMAND	15	03	25.19	26.52	20.89



RECOMMENDED PCB LAYOUT
FOR STENCIL THICKNESS SEE APPLICATION SPEC
SCALE 6:1



POSITION NUMBER INDICATION FOR 8POS VERSION



POSITION NUMBER INDICATION FOR 15POS VERSION

spec ref	GS-12-1821	dr	Huang, Yin-Chi	2023/01/17	projection	mm	size	A3	scale	5:1
tolerance std	ISO 406 ISO 1101	eng	Moisan, Gwenda	2023/03/16			ecn no		rel level	
TOLERANCES UNLESS OTHERWISE SPECIFIED		chr	Huang, Yin-Chi	2023/03/16			Released			
surface	linear	0.X	±0.3		product family		dwg no		rev	
		0.XX	±0.10		MINITEK μSPACE STAGGERED TOP LATCH		10170438		A	
	angular	0°	±2°		cat. no.		Product - Customer Drw		sheet 2 of 2	