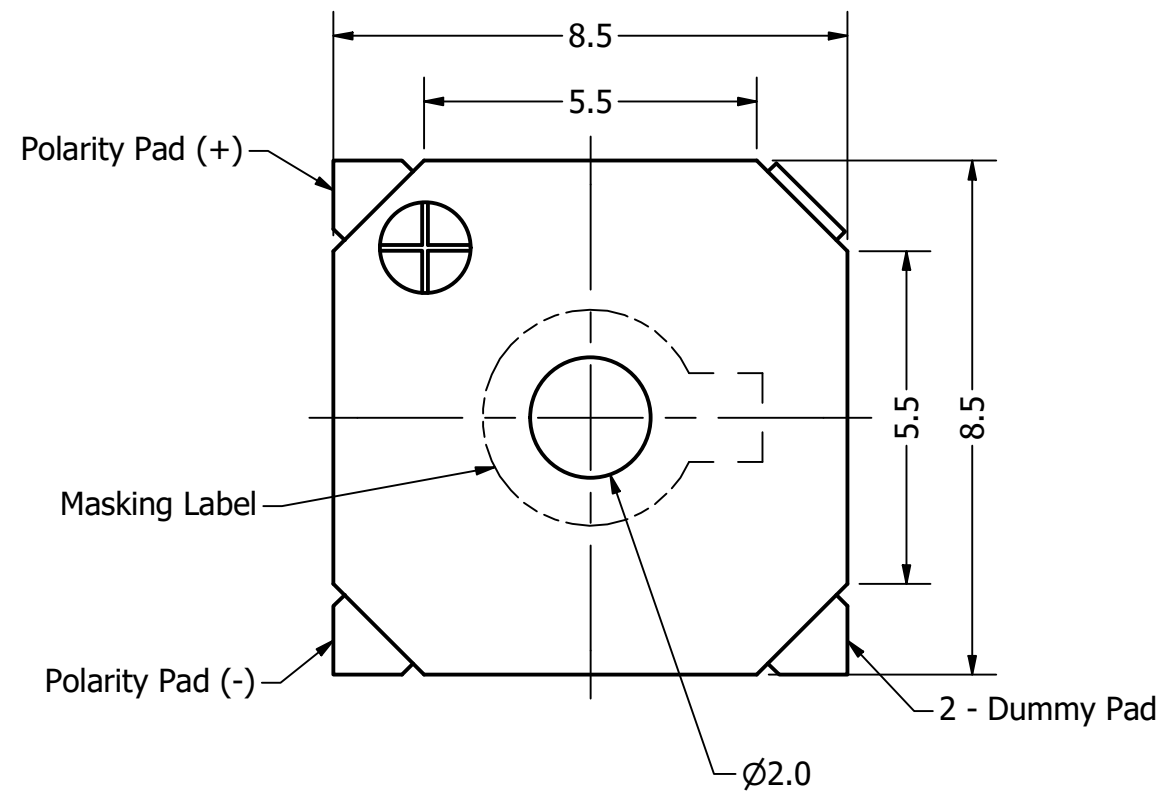
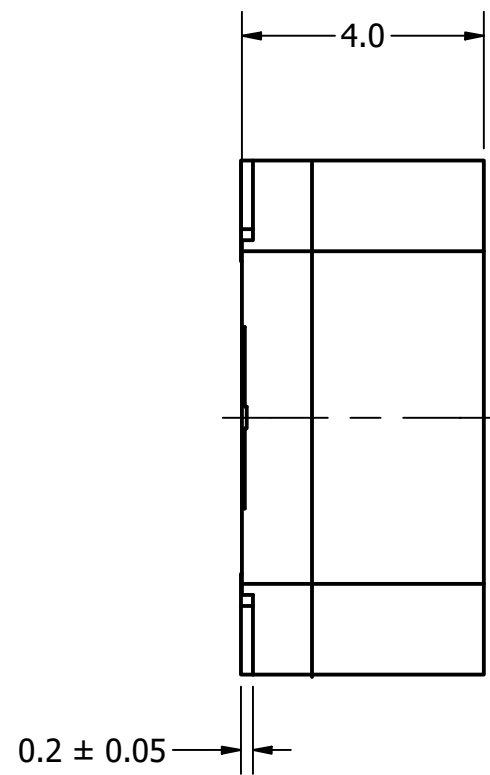


Part Number:	TE082703-3	
DRAWN	CJ	5/8/2023
CHECKED	P.D.	5/11/2023
Description:	Electro-Mechanical Transducer	
APPROVED	J.S.	5/11/2023
This document contains data proprietary to DB Unlimited. Any use or reproduction, in any form, without prior written permission of DB Unlimited is prohibited. All terms and conditions can be found at www.dbunlimitedco.com		

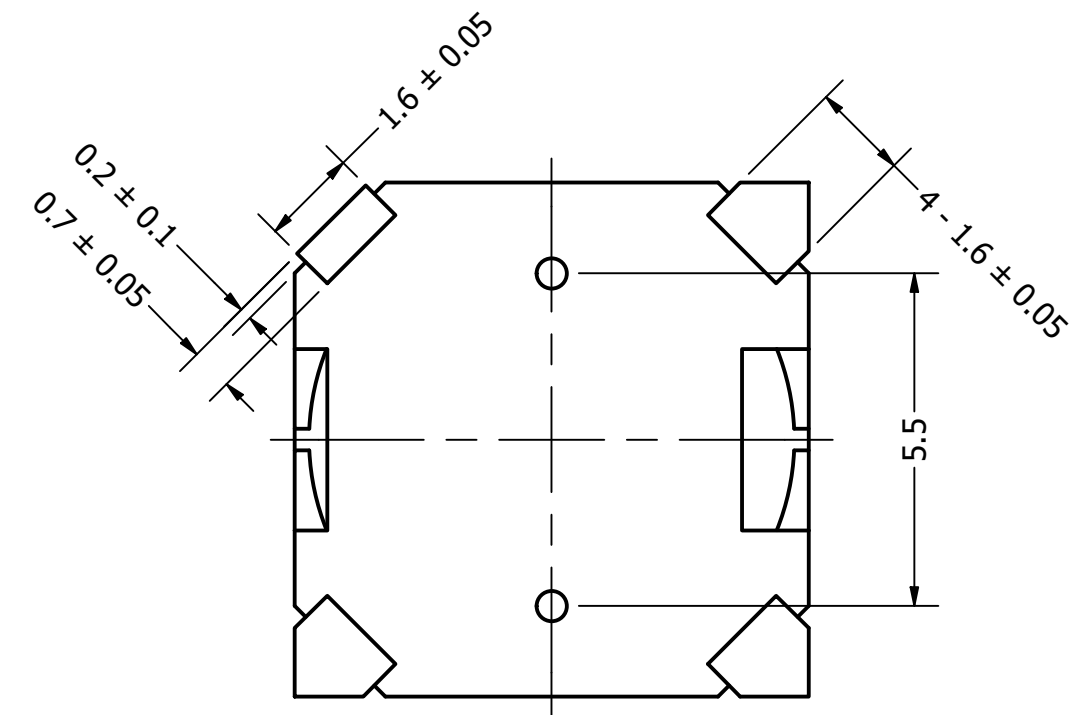
Top View



Side View



Bottom View



Items	Specifications	Conditions
Min. Sound Pressure Level	85	dB (@ 10cm)
Resonant Frequency	2,730	Hz
Rated Voltage	3.6	V
Voltage Range	2.5 ~ 4.5	V
Coil Resistance	16	Ω
Max. Rated Current	100	mA
Storage Temperature	-40 ~ +85	°C
Operating Temperature	-40 ~ +85	°C
Connection Method	Surface Mount Pads	
Mount Type	Surface Mount	
Housing Material	LCP	
Weight	0.6	g

CONFIDENTIAL - DO NOT DISSEMINATE

REVISION HISTORY

REV	DESCRIPTION	DATE	APPROVED
	Released from Engineering	10/21/2013	J.S.
1	Updated template, temperatures, bottom view	5/11/2023	P.D.

NOTES

- 1) All dimensions are in mm unless otherwise noted
- 2) All tolerances are ± 0.5 mm unless otherwise noted
- 3) All parts meet RoHS
- 4) Subject to change or redrawn without notice