

10 9 8 7 6 5 4 3 2 1

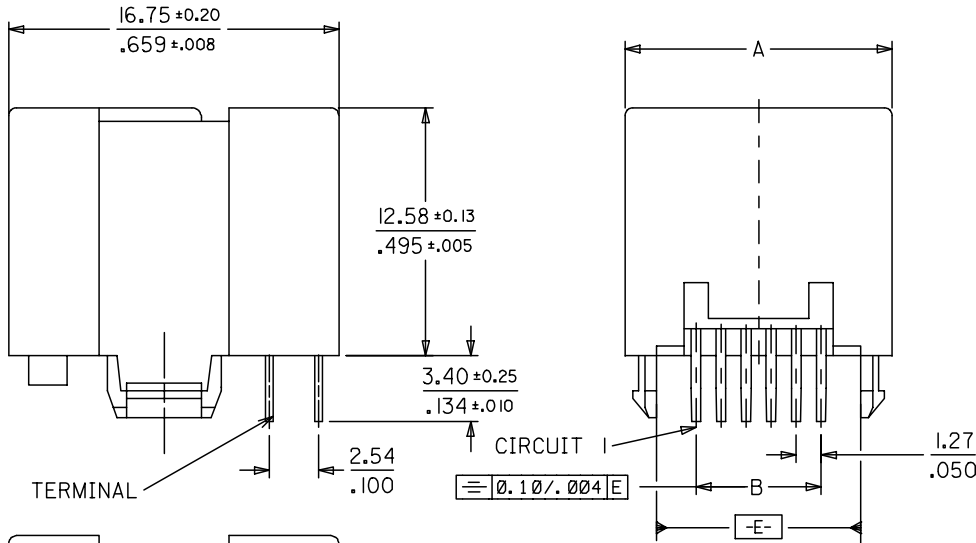
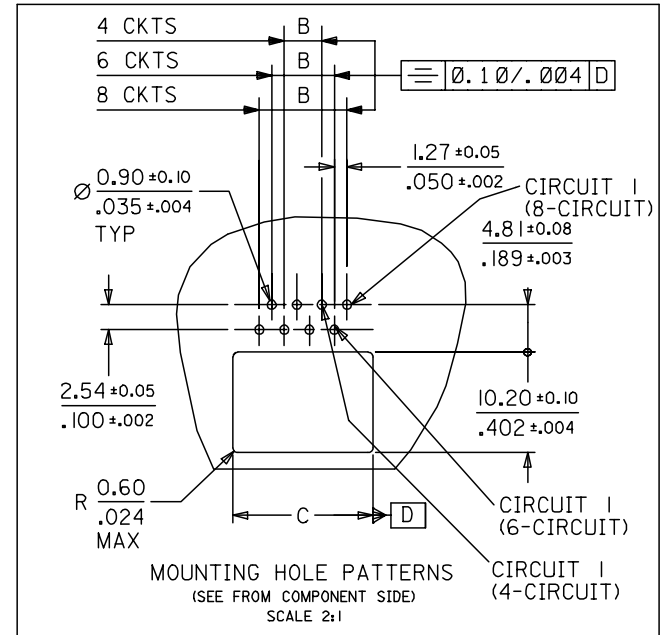
NOTES :

1- MATERIAL:

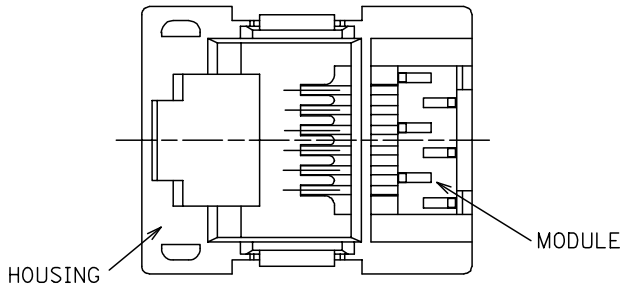
- HOUSING AND MODULE: POLYAMIDE FIBER GLASS FILLED UL 94-V0 COLOR BLACK.
- TERMINAL: PHOSPHOR BRONZE .

PLATING:

- POST PLATE 0.00127-0.00152/.000050-.000060 GOLD IN CONTACT AREA.
- 0.00190/.000075 MIN PURE TIN IN TAIL AREA BOTH OVER 0.00127/.000050 MIN NICKEL OVERALL.
- 2- JACK FOR MATING WITH FCC 68 PLUGS 90075 MOLEX SERIES.
- 3- PCB THICKNESS : 1.57 / .062
- 4- PRODUCT SPECIFICATION PS-95002-003
- 5- APPLICATION SPECIFICATION AS-95001.
- 6- PACKAGING SPECIFICATION PK-95002



P/N	HOUSING SIZE	CKTS.	DIM.		
			A ±0.13	B $\begin{matrix} +0.05 \\ -0.10 \\ +0.002 \\ -0.004 \end{matrix}$	C $\begin{matrix} \pm 0.08 \\ \pm 0.003 \end{matrix}$
95002-2443	POS 4	4 CKTS	$\frac{11.50}{.453}$	$\frac{3.81}{.150}$	$\frac{10.20}{.402}$
95002-2643	POS 6	4 CKTS	$\frac{13.55}{.533}$	$\frac{3.81}{.150}$	$\frac{12.20}{.480}$
95002-2663	POS 6	6 CKTS	$\frac{13.55}{.533}$	$\frac{6.35}{.250}$	$\frac{12.20}{.480}$
95002-2883	POS 8	8 CKTS	$\frac{15.55}{.612}$	$\frac{8.89}{.350}$	$\frac{14.20}{.559}$



ENTER DESCRIPTION EC NO: MG2005-0107 DRAWN: KNOLLER 2004/09/22 CHKD: FCARABET 2004/09/22 APPR: KNOLLER 2004/09/24	QUALITY SYMBOLS ▽=0 ▽=0	GENERAL TOLERANCES (UNLESS SPECIFIED)		DIMENSION STYLE MM/IN	SCALE 4:1	DESIGN UNITS METRIC	THIRD ANGLE PROJECTION	
		4 PLACES ± --- ± --- 3 PLACES ± --- ± .006 2 PLACES ± 0.15 ± .010 1 PLACE ± 0.25 ± --- ANGULAR ± .5 °	DRAWN BY ER 99/02/24	DATE 99/02/24	TITLE BOTTOM ENTRY LOW PROFILE MODULAR JACK (THROUGH HOLE VERSION)			
		DRAFT WHERE APPLICABLE MUST REMAIN WITHIN DIMENSIONS	CHECKED BY MFAS 99/02/24	DATE 99/02/24	MOLEX INCORPORATED			
		SIZE A3	APPROVED BY FB 99/02/24	DATE 99/02/24	MATERIAL NO. SEE CHART	DOCUMENT NO. SD-95002-001	SHEET NO. 1 OF 1	

9 8 7 6 5 4 3 2 1