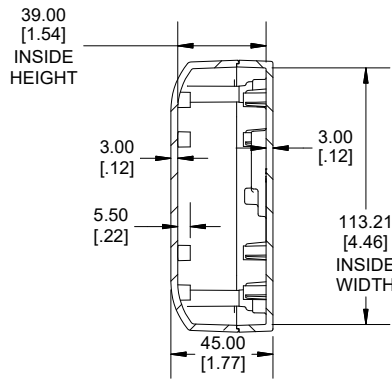
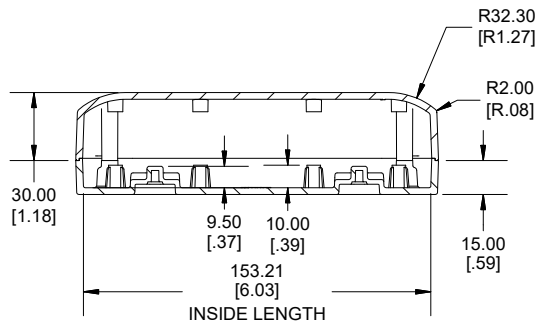
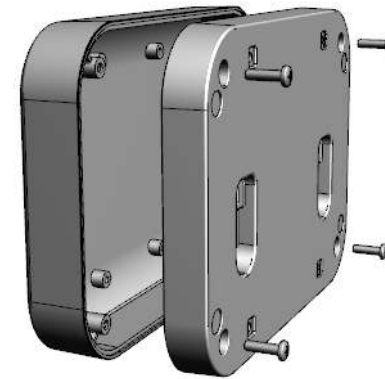


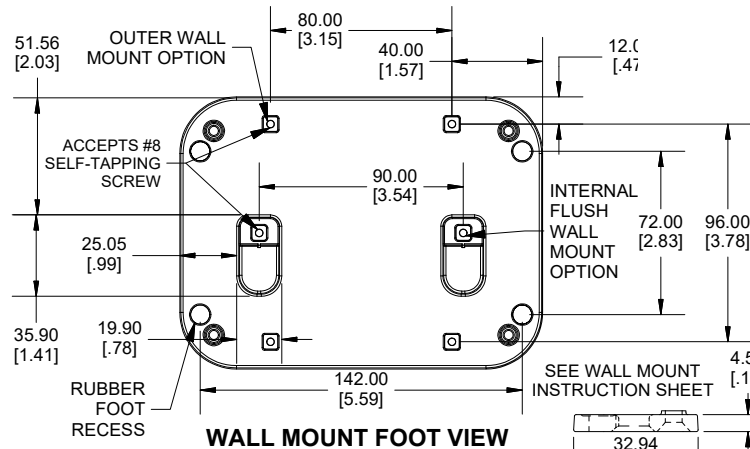
**TOP VIEW**



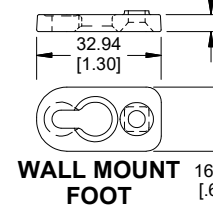
**SECTION B-B  
END VIEW**



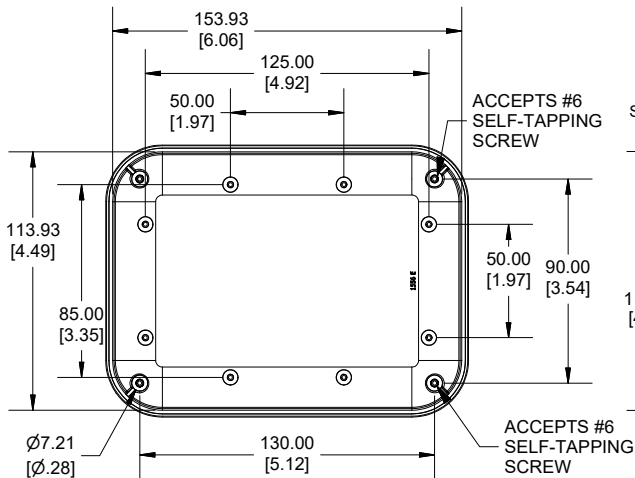
**SECTION A-A  
SIDE VIEW**



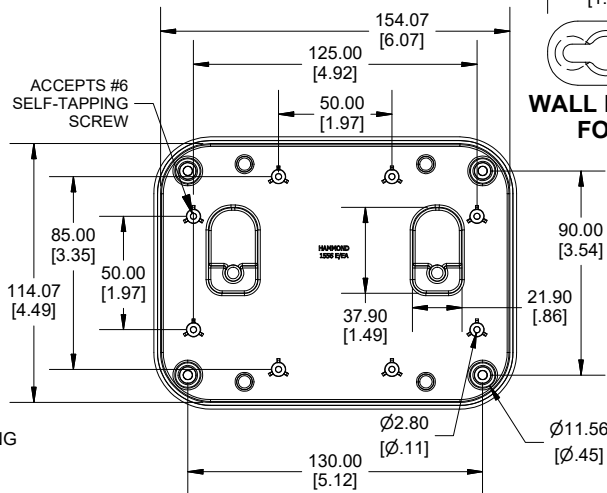
**WALL MOUNT FOOT VIEW**



**WALL MOUNT FOOT**



**INSIDE LID**



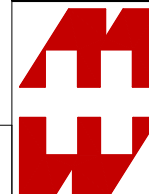
**INSIDE BOX**

**Dimensions:**  
mm  
[inches]

Enclosures can be Factory Modified (Milling, Drilling, Printing etc.)  
Contact Factory (modshop@hammfg.com) for quotes  
Solid models of this enclosure available in .stp or .x\_t  
(Part number and text placement/orientation on our products are subject to change,  
we do not recommend using them as a locating reference for modification purposes)

<b>NOTE</b>	
Purchased assembly includes box, lid, 4 cover screws and 4 rubber feet. Molded from FRABS (UL94-V0) plastic	
<b>Recommended Cover Screw Torque - 71-85 ozf-in ( 50-60 cN-m)</b>	
<b>Recommended PCB Screw Torque - 42-56 ozf-in ( 30-40 cN-m)</b>	

<b>1556</b>		
<b>1556E Enclosure</b>		
Flame Retardant ABS Black Enclosure		1556EBK
Flame Retardant ABS Grey Enclosure		1556EGY
Flame Retardant ABS White Enclosure		1556EWH
<b>ACCESSORIES</b>		
Clear Rubber Feet (Pkg 24)		1421T6CL
Steel Cover Screws [#6 X 1/2" Self Tapping] (Pkg 50)		SC527-50
Steel P.C.Board Screw [#6 X 1/4" Self Tapping] (Pkg 50)		SC526-50
Stainless Steel Wall Mount foot Screw [#8 X 3/8" Self Tapping] (Pkg 50)		SC556-50
Wall Mount Foot Kit [wall mount foot ] (Pkg 4) [#8 X 3/8" Self Tapping] (Pkg 4)	FR ABS Grey	1556FOOTGY-4
	FR ABS Black	1556FOOTBK-4
	FR ABS White	1556FOOTWH-4



**HAMMOND  
MANUFACTURING®**

**1556E**

www.hammondmfg.com