

NOTES:

1. MATERIALS AND FINISHES:

- BODY & NUT - STAINLESS STEEL, PASSIVATED
- CONTACT - BeCu, GOLD PLATING
- INSULATOR - PTFE, NATURAL
- GASKET - SILICONE RUBBER, RED
- RETAINER RING - SUS303, NATURAL

2. ELECTRICAL:

- A. IMPEDANCE: 50 OHM
- B. FREQUENCY RANGE: DC - 6 GHz
- C. AVERAGE INPUT POWER: 5W MAX AT +25°C  
(DERATED LINEARLY TO 0.5W MAX AT +125°C)
- D. ATTENUATION: XX dB ±(SEE TABLE 2D)  
[FOR ADDITIONAL VALUES, CONSULT FACTORY]
- E. VSWR: (SEE TABLE 2E)

3. MECHANICAL:

- A. MATING ENGAGEMENT: MIL-STD-348A, SERIES: TYPE N
- B. MATING TORQUE: 6-10 IN-LBS MAX.
- C. COUPLING PROOF TORQUE: 15 IN-LBS MIN.
- D. COUPLING NUT RETENTION: 100 LBS MIN.
- E. DURABILITY: 500 CYCLES MIN.

4. ENVIRONMENTAL:

- A. OPERATING TEMPERATURE: -55°C TO +125°C
- B. THERMAL SHOCK: MIL-STD-202, METHOD 107, CONDITION B  
(EXCEPT HIGH TEMP +100°C)
- C. SHOCK: MIL-STD-202, METHOD 213, CONDITION 1
- D. VIBRATION: MIL-STD-202, METHOD 204, CONDITION B

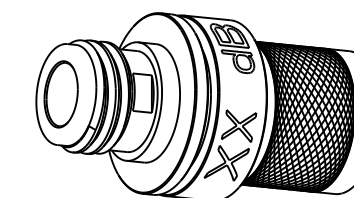
5. PACKAGING:

- A. QUANTITY: SINGLE PACK
- B. BAG TO BE MARKED: AMPHENOL RF  
PART NUMBER (SEE TABLE 5B)  
DATE CODE

THIRD ANGLE PROJ.

REVISIONS

REV	DESCRIPTION	DATE	ECO	APPR
A	RELEASE TO MFG.	6/30/15	50593	JN/BCG



SCALE 1.000

dB	DC-18 GHz
1-6	±0.3
7-20	±0.5
21-40	±1.0
41-60	±1.5

TABLE 2D  
ATTENUATION  
ACCURACY

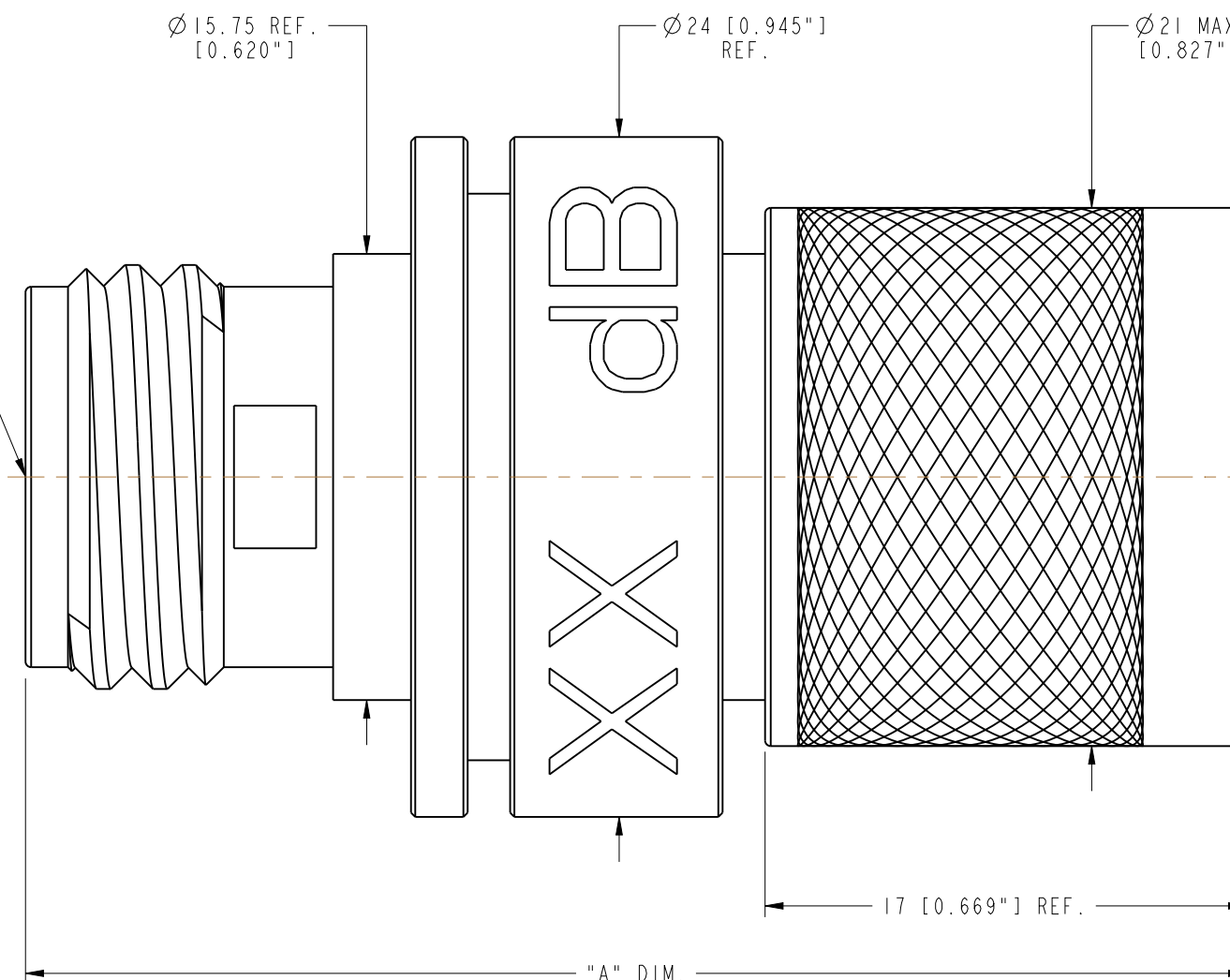
dB	DC-2.5 GHz	2.5-4 GHz	4-6 GHz
1-3	1.15:1	1.20:1	1.25:1
4-6	1.15:1	1.20:1	1.25:1
7-10	1.15:1	1.25:1	1.30:1

TABLE 2E  
VSWR MAX.

PART NUMBER	ATTENUATION VALUE [dB]	"A" DIM.
ATS-IMIF-03DB5W	3	45.0 [1.77"] REF.
ATS-IMIF-06DB5W	6	45.0 [1.77"] REF.
ATS-IMIF-10DB5W	10	45.0 [1.77"] REF.
ATS-IMIF-15DB5W	15	45.0 [1.77"] REF.
ATS-IMIF-20DB5W	20	45.0 [1.77"] REF.
ATS-IMIF-30DB5W	30	53.1 [2.09"] REF.

TABLE 5B  
PART NUMBER  
IDENTIFICATION

INTERFACE PER  
MIL-STD-348  
TYPE N FEMALE



INTERFACE PER  
MIL-STD-348  
TYPE N MALE

**CUSTOMER OUTLINE DRAWING**

ALL OTHER SHEETS ARE FOR INTERNAL USE ONLY

UNLESS OTHERWISE SPECIFIED, DIMENSIONS ARE IN METRIC AND TOLERANCES ARE:  
 <0.5mm ±0.05mm    0.5 - 6mm ±0.1mm    6 - 30mm ±0.2mm    30 - 120mm ±0.3mm    ANGLES ±1°

NOTICE - These drawings, specifications, or other data (1) are, and remain the property of Amphenol corp. (2) must be returned upon request; and (3) are confidential and not to be disclosed to any person other than those to whom they are given by Amphenol Corp. the furnishing of these drawings, specifications, or other data by Amphenol Corp., or to any other person to anyone for any purpose is not to be regarded by implication or otherwise in any manner licensing, granting rights to permitting such holder or any other person to manufacture, use or sell any product, process or design, patented or otherwise, that may in any way be related to or disclosed by said drawings, specifications, or other data.

MATERIAL	SEE NOTES
REFERENCE	EAR #6507
CONFIGURATION LEVEL:	In Work
FINISH	

DRAWN	J. NERI	DATE	05-Mar-15
ENGINEER	B. GLEISSNER	DATE	05-Mar-15
APPROVED	K. CAPOZZI	DATE	6/30/15
CAD FILE			

TITLE	
TYPE N, PLUG TO JACK FIXED ATTENUATOR (5 WATT)	
SCALE: 8.0:1.0	SHEET 2 OF 2
DWG SIZE	REV
B	A

Amphenol RF	
www.amphenolrf.com	
DRAWING NO.	ATS-2M2F-XXDB5W
ITEM NO.	ATS-2M2F-XXDB5W
PART NO.	ATS-2M2F-XXDB5W