



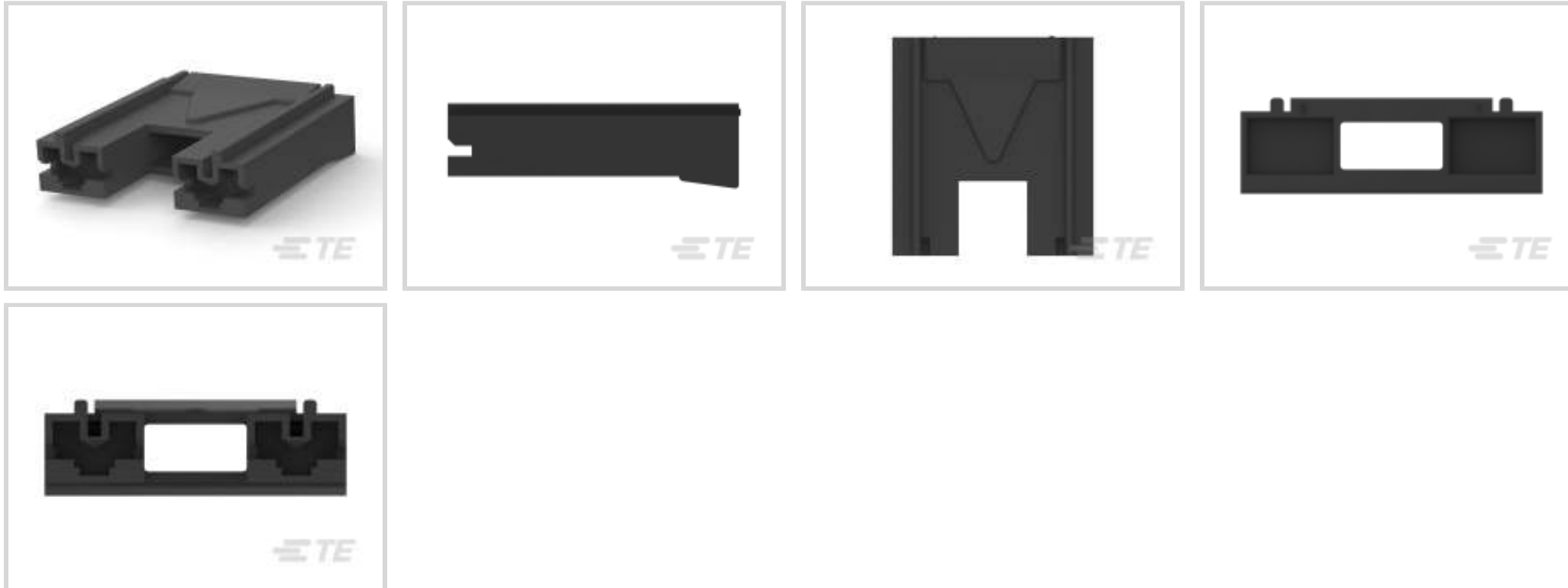
Positive Lock | Mark II, Positive Lock 187

TE Internal #: 176498-2

Crimp Terminal Housings, Receptacle, Receptacle, 2 Position, Straight, UL 94V-0, Black, Nylon, Contact Mating Retention, Positive Lock 187

[View on TE.com >](#)

Terminals & Splices > Terminal Housings, Insulation Sleeves & Blocks > Crimp Terminal Housings



Terminal Type: **Receptacle**

Connector & Housing Type: **Receptacle**

Number of Positions: **2**

Terminal Orientation: **Straight**

UL Flammability Rating: **UL 94V-0**

### Features

#### Product Type Features

Sealable	No
Connector System	Wire-to-Board, Wire-to-Wire
Connector & Contact Terminates To	Wire & Cable
Connector & Housing Type	Receptacle

#### Configuration Features

Number of Positions	2
---------------------	---

#### Body Features

Primary Product Color	Black
-----------------------	-------

#### Contact Features

Terminal Type	Receptacle
Terminal Orientation	Straight
Contact Mating Retention	With

#### Mechanical Attachment

--	--



Mating Alignment Type	Polarization
Mating Retention Type	Latch
Mating Alignment	With
Connector Mounting Type	Cable Mount (Free-Hanging)

### Housing Features

Housing Material	Nylon
Centerline (Pitch)	15 mm[.59 in]

### Usage Conditions

Operating Temperature Range	-40 – 105 °C[-40 – 221 °F]
-----------------------------	----------------------------

### Industry Standards

UL Flammability Rating	UL 94V-0
------------------------	----------

### Packaging Features

Packaging Quantity	1000
--------------------	------

## Product Compliance

[For compliance documentation, visit the product page on TE.com>](#)

EU RoHS Directive 2011/65/EU	Compliant
EU ELV Directive 2000/53/EC	Compliant
China RoHS 2 Directive MIIT Order No 32, 2016	No Restricted Materials Above Threshold
EU REACH Regulation (EC) No. 1907/2006	Current ECHA Candidate List: JUNE 2023 (235) Candidate List Declared Against: JAN 2023 (233) SVHC > Threshold: Melamine (3% in Component Part) <b>Article Safe Usage Statements:</b> Wash thoroughly after handling. Do not handle until all safety precautions have been read and understood. Recycle if possible and dispose of the article by following all applicable governmental regulations relevant to your geographic location.
Halogen Content	Low Halogen - Br, Cl, F, I < 900 ppm per homogenous material. Also BFR/CFR/PVC Free
Solder Process Capability	Not applicable for solder process capability

#### Product Compliance Disclaimer

This information is provided based on reasonable inquiry of our suppliers and represents our current actual knowledge based on the information they provided. This information is subject to change. The part numbers that TE has identified as EU RoHS compliant have a maximum concentration of 0.1% by weight in homogenous materials for lead, hexavalent chromium, mercury, PBB, PBDE, DBP, BBP, DEHP, DIBP, and 0.01% for cadmium, or qualify for an exemption to these limits as defined in the Annexes of Directive 2011/65/EU (RoHS2). Finished electrical and electronic equipment products

will be CE marked as required by Directive 2011/65/EU. Components may not be CE marked. Additionally, the part numbers that TE has identified as EU ELV compliant have a maximum concentration of 0.1% by weight in homogenous materials for lead, hexavalent chromium, and mercury, and 0.01% for cadmium, or qualify for an exemption to these limits as defined in the Annexes of Directive 2000/53/EC (ELV). Regarding the REACH Regulation, the information TE provides on SVHC in articles for this part number is based on the latest European Chemicals Agency (ECHA) 'Guidance on requirements for substances in articles' posted at this URL: <https://echa.europa.eu/guidance-documents/guidance-on-reach>

## Compatible Parts



TE Part # 170330-2  
PL 187 RECEPTACLE 24-20 AWG  
NPPHBZ



TE Part # 170332-1  
PL 187 RECEPTACLE 18-14 AWG  
PTPBR



TE Part # 170324-2  
PL 187 RECEPTACLE 24-20 AWG 0.3  
NPCU



TE Part # 170326-5  
187 PL MKII REC. 18-14AWG PTPB



TE Part # 170326-1  
187 PL MKII REC. 18-14AWG PTBR



TE Part # 170325-5  
187 PL MKII REC. 20-16AWG PTBR



TE Part # 170325-1  
187 PL MKII REC. 20-16AWG PTBR



TE Part # 170324-1  
187 PL MKII REC. 24-20AWG PTBR




TE Part # 170331-1  
PL MKII 187 REC 20-16AWG PTBR LP

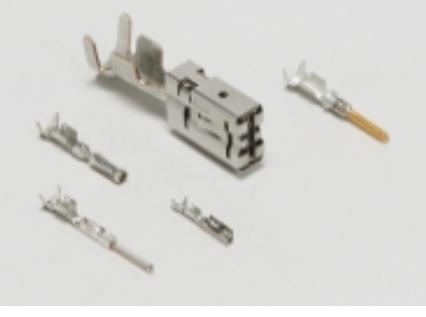


TE Part # 170330-1  
PL MKII 187 REC 24-20AWG PTBR LP

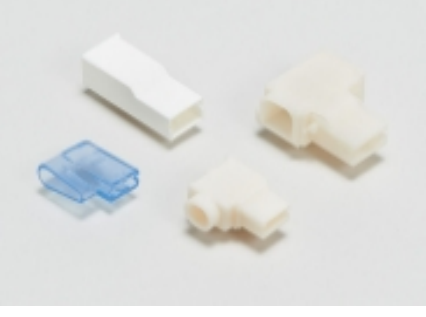
## Also in the Series | Mark II




Automotive Housings(7)



Automotive Terminals(22)



Crimp Terminal Housings(76)



Insertion & Extraction Tools(2)



Quick Disconnects(57)

## Also in the Series | Positive Lock 187



Crimp Terminal Housings(86)



Insertion & Extraction Tools(2)



Insulation Boots & Sleeves(7)



Quick Disconnects(55)

## Customers Also Bought



TE Part #1-480708-2  
12P UMNL PLUG HSG RED



TE Part #170332-1  
PL 187 RECEPTACLE 18-14 AWG  
PTPBR



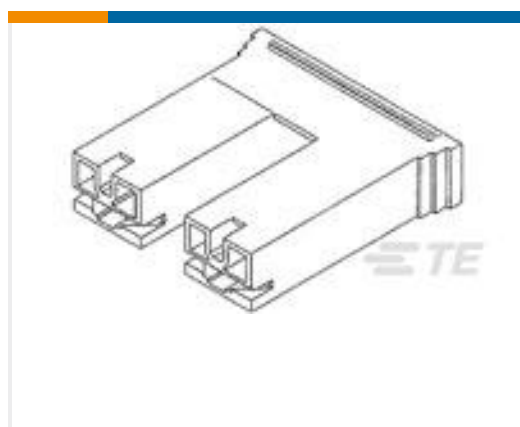
TE Part #176498-1  
POSITIVE LOCK 187 (4.8 MM)  
HOUSING



TE Part #63933-2  
250 PL MKIII REC. 22-18AWG TPBR  
HOUSING



TE Part #176498-4  
POSITIVE LOCK 187 (4.8 MM)  
HOUSING



TE Part #1-520935-5  
PL 250 HOUSING REC BLUE 6/6  
NYLON V2



TE Part #172763-2  
PL MKII 250 REC 18-14AWG PRE-TIN  
NB109



TE Part #3-2293382-2  
AMP MONO-SHAPE TAB CONN 2P



TE Part #4-2402722-5  
Same as 4-284932-5 w/ alternative resin



TE Part #5-2293382-3  
AMP MONO-SHAPE TAB CONN 3P

## Documents

### Product Drawings

[PL MKII 187 REC HSG 2P NYLON BLACK](#)

English

---

### CAD Files

[3D PDF](#)

3D

Customer View Model

[ENG\\_CVM\\_CVM\\_176498-2\\_F.2d\\_dxf.zip](#)

English

Customer View Model

[ENG\\_CVM\\_CVM\\_176498-2\\_F.3d\\_igs.zip](#)

English

Customer View Model

[ENG\\_CVM\\_CVM\\_176498-2\\_F.3d\\_stp.zip](#)

English

By downloading the CAD file I accept and agree to the [Terms and Conditions](#) of use.

---

### Datasheets & Catalog Pages

[FASTON Housings](#)

English

[Positive Lock Receptacles](#)

English

---

### Product Environmental Compliance

[Product Compliance](#)

English

[Product Compliance](#)

English

---

### Agency Approvals

[UL Report](#)

English