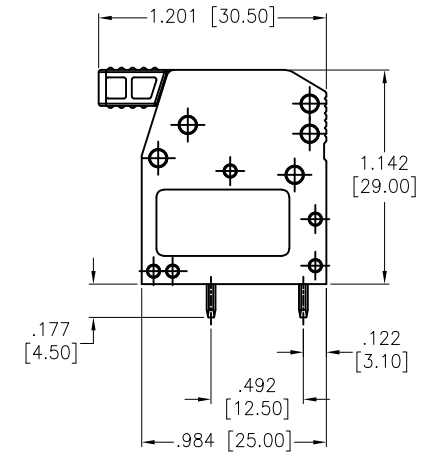
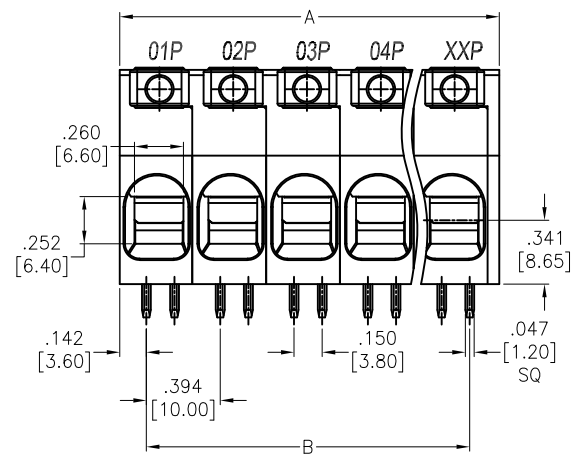
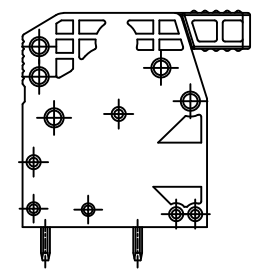
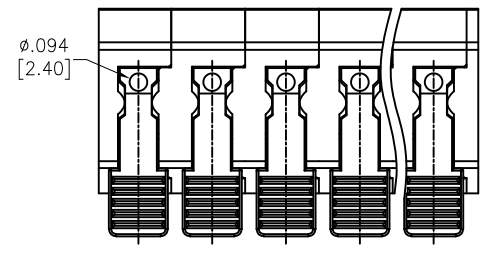
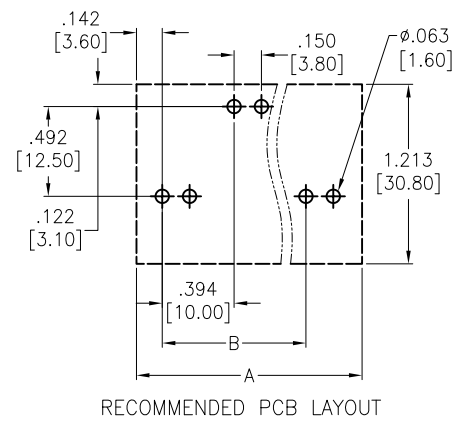


Rev	AWO #	Description	Date	Appr
-		RELEASED	11/26/18	
A		UPDATE DRAWING	5/9/19	LH/KC

APPROVED: \_\_\_\_\_  
 DATE: \_\_\_\_\_ TITLE: \_\_\_\_\_



**SPECIFICATIONS:**

**Material:**  
 Insulator: PA, rated UL 94V-0  
 Insulator color: Green  
 Pin Header: Copper Alloy, Tin plated

**Electrical:**  
 Voltage rating: 600 V  
 Current rating: 51 A  
 Dielectric withstanding voltage: 2,200 V for 1 minute

**Mechanical:**  
 Wire range: 18~4AWG  
 Wire strip length: 17-18mm  
 Temperature Rating:  
 Operating temperature: -40°C to +105°C

**Environmental:**  
 Lead free, RoHS compliant.



Positions: 02 thru 24  
 A = .394 [10.00] x No. of Positions + .055 [1.40]  
 B = .394 [10.00] x No. of Space

UNLESS OTHERWISE SPECIFIED ALL DIMENSIONS ARE INCHES [MM] TOLERANCES: EXCEPT AS NOTED		
INCHES		HOLES
.X ± .10	Ø.X ± .10	
.XX ± .020	Ø.XX ± .015	
.XXX ± .015	Ø.XXX ± .010	
APPROVALS		DATE
DRAWN	AY	11/26/18
CHECKED	AC	11/26/18
APPROVED		

<b>ADAM TECH</b>		909 Rahway Avenue, Union, NJ 07083 Phone: 908-687-5000 Fax: 908-687-5710	
TITLE .394 [10.00] PITCH SPRING CLAMP TERMINAL BLOCKS, RIGHT ANGLE			
SIZE X	PART NO. EB171A-XX-H	REV. A	
REF: S00067C	SCALE: NTS	SHEET 1 OF 1	