



Connectors > Automotive Connectors > Automotive Connector Accessories > Other Automotive Connector Accessories



Automotive Connector Accessory Type: **Lever**

Primary Product Material: **PA GF**

Primary Product Color: **Black**

## Features

### Product Type Features

Automotive Connector Accessory Type	Lever
-------------------------------------	-------

### Body Features

Primary Product Material	PA GF
Primary Product Color	Black

### Packaging Features

Packaging Quantity	504
Packaging Method	Carton

## Product Compliance

[For compliance documentation, visit the product page on TE.com>](#)

EU RoHS Directive 2011/65/EU	Compliant
EU ELV Directive 2000/53/EC	Compliant
China RoHS 2 Directive MIIT Order No 32, 2016	No Restricted Materials Above Threshold
EU REACH Regulation (EC) No. 1907/2006	Current ECHA Candidate List: JUNE 2023 (235) Candidate List Declared Against: JUNE 2023 (235)



Does not contain REACH SVHC

Halogen Content

BFR/CFR/PVC Free, but Br/Cl >900 ppm in other sources.

Solder Process Capability

Not applicable for solder process capability

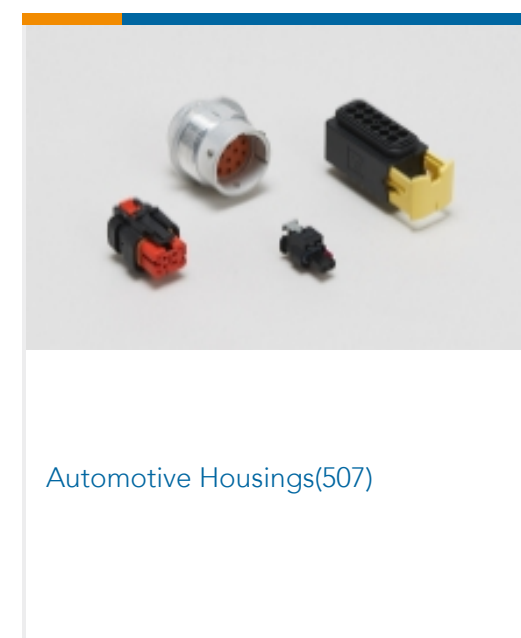
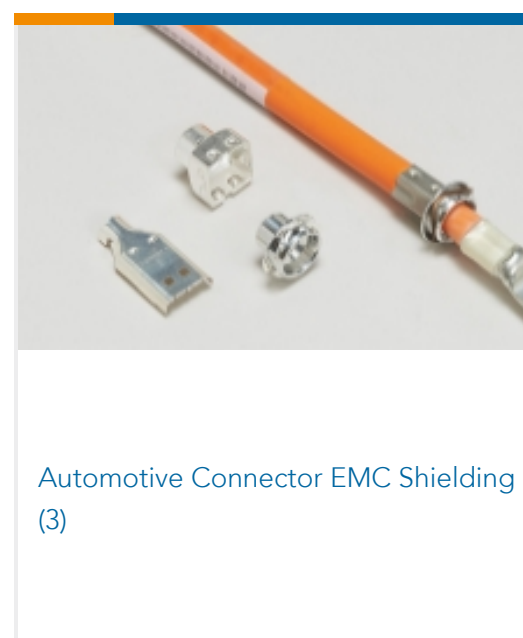
Product Compliance Disclaimer

This information is provided based on reasonable inquiry of our suppliers and represents our current actual knowledge based on the information they provided. This information is subject to change. The part numbers that TE has identified as EU RoHS compliant have a maximum concentration of 0.1% by weight in homogenous materials for lead, hexavalent chromium, mercury, PBB, PBDE, DBP, BBP, DEHP, DIBP, and 0.01% for cadmium, or qualify for an exemption to these limits as defined in the Annexes of Directive 2011/65/EU (RoHS2). Finished electrical and electronic equipment products will be CE marked as required by Directive 2011/65/EU. Components may not be CE marked. Additionally, the part numbers that TE has identified as EU ELV compliant have a maximum concentration of 0.1% by weight in homogenous materials for lead, hexavalent chromium, and mercury, and 0.01% for cadmium, or qualify for an exemption to these limits as defined in the Annexes of Directive 2000/53/EC (ELV). Regarding the REACH Regulation, the information TE provides on SVHC in articles for this part number is based on the latest European Chemicals Agency (ECHA) 'Guidance on requirements for substances in articles' posted at this URL: <https://echa.europa.eu/guidance-documents/guidance-on-reach>

## Compatible Parts



## Also in the Series | MQS





Automotive Terminals(104)



Connector Seals & Cavity Plugs(27)



Insertion & Extraction Tools(42)



Other Automotive Connector Accessories(14)



PCB Headers & Receptacles(214)

### Customers Also Bought



TE Part #2205061-3  
CA MICRO-MATCH MOW-MOW  
6POS



TE Part #3-1534904-4  
CONNECTOR HSG 94 POS.



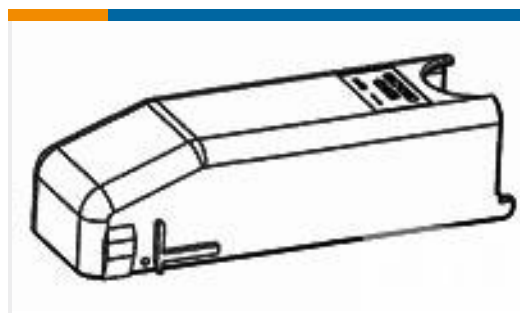
TE Part #927768-6  
TIMER, RECEPTACLE AND TAB



TE Part #1393450-3  
V23542C1052B102=52P KABELBAUM-



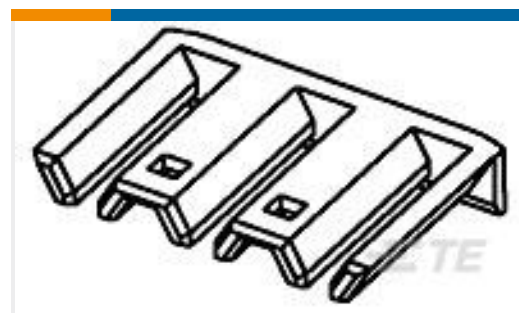
TE Part #344106-1  
18W EMS.REC.HSG.ASSY.



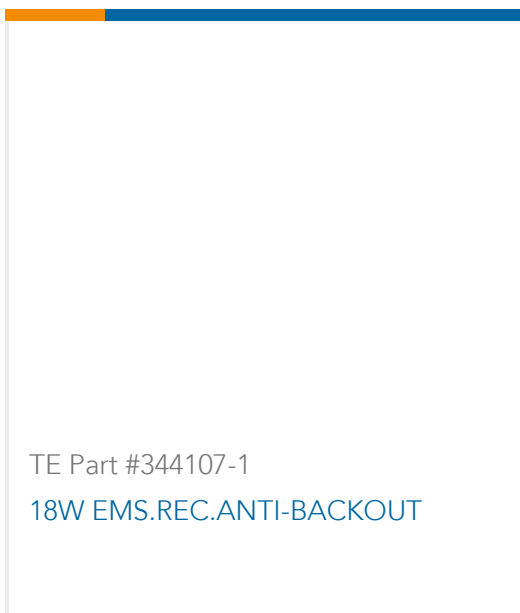
TE Part #1393454-7  
V23542C1052Z102=52P ABDECKKAPP



TE Part #1-1355132-2  
SHIELD, 94POSN., RECEPTACLE HO



TE Part #1-1355135-1  
RETAINER 94P



TE Part #344107-1  
18W EMS.REC.ANTI-BACKOUT

### Documents



## Product Drawings

### HEBEL F.AUFNAHM-GEH

English

---

## CAD Files

Customer View Model

[ENG\\_CVM\\_CVM\\_1-1355133-2\\_B.2d\\_dxf.zip](#)

English

## 3D PDF

3D

Customer View Model

[ENG\\_CVM\\_CVM\\_1-1355133-2\\_B.3d\\_igs.zip](#)

English

Customer View Model

[ENG\\_CVM\\_CVM\\_1-1355133-2\\_B.3d\\_stp.zip](#)

English

By downloading the CAD file I accept and agree to the [Terms and Conditions](#) of use.