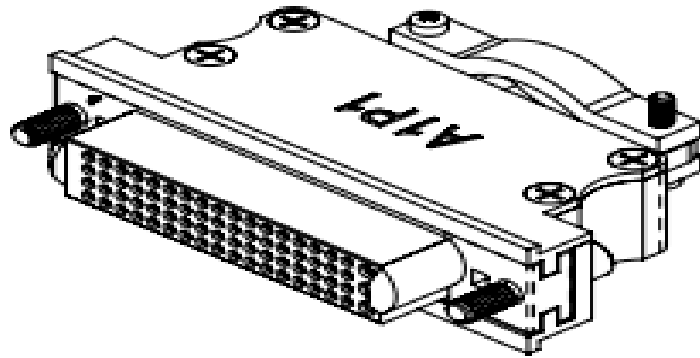


ASTRONICS COREPOWER ECBU CABLE CONNECTORS

USER GUIDE



Positronic[®]
an Amphenol company


THE SCIENCE OF CERTAINTY[®]

ASTRONICS ECBU CABLE CONNECTORS

USER GUIDE

CONTENTS


1.0 SCOPE.....	3
2.0 TECHNICAL CHARACTERISTICS.....	3-4
3.0 CONNECTORS - 28VDC ECBU LRU.....	5-7
4.0 CONNECTORS - 115VAC ECBU LRU.....	8-9
5.0 CONNECTORS - 270VDC ECBU LRU.....	10-11
6.0 CONNECTORS - SCM ECBU LRU.....	12-13
7.0 CONNECTORS - GCU ECBU LRU.....	14-15
8.0 BACKSHELLS - ALL ECBU/LRU.....	16
9.0 COMBINED CONTACT/TOOLING MATRIX.....	17-18
10.0 ASSEMBLY INSTRUCTIONS.....	19
11.0 RESOURCES.....	20
12.0 DRAWINGS.....	21-59
FC112P2/AA-PA907.....	21
FC114P2/AA-PA907.....	22
FC0404N2S/AA-14-1882.35.....	23
FC422P9/AA.....	24
FC4008DS/AA.....	25
FC1816P2/AA.....	26
MC112NS/AA.....	27
MC114N/AA.....	28
MC422N9/AA-1127.11.....	29
MC1210NS/AA.....	30
MC1816N/AA.....	31
MC1816NS/AA.....	32
SK18444-1-2K1.....	33

 Positronic® <small>an Amphenol company</small>	DOCUMENT NUMBER	REVISION	PAGE NUMBER
	AES-ECBU	A	Page 1 of 59

ASTRONICS ECBU CABLE CONNECTORS

USER GUIDE

SK18444-2-2K1	34
SK18444-K	35
SK18445-1-1K1	36
SK18445-2-1K1	37
SK18445-K	38
SK21801-1-1K1	39
SK21801-2-1K1	40
SK21801-K	41
SK21804-1-2K1	42
SK21804-2-2K1	43
SK21804-K	44
SK25115-K	45
SK25117-K	46
SK25166-K	47
SK25168-K	48
SK25170-K	49
SK25172-K	50
SK25174-K	51
SK25202-1	52
SK25202-2	53
SK25202-3	54
SK25203-1	55
SK25203-2	56
SK25203-3	57
SK25204-1	58
SK25204-2	59

 Positronic® <small>an Amphenol company</small>	DOCUMENT NUMBER	REVISION	PAGE NUMBER
	AES-ECBU	A	Page 2 of 59

ASTRONICS ECBU CABLE CONNECTORS

USER GUIDE

1.0 SCOPE

This document describes the Positronic cable connectors used on the Astronics CorePower ECBUs and Control LRUs. Characteristics of the connectors, required tooling and termination instructions will be covered.


2.0 TECHNICAL CHARACTERISTICS

MATERIALS AND FINISHES

Insulator material	Glass-filled LCP, UL 94V-O, grey color
Contact material	Copper alloy
Contact plating	Gold flash over nickel 30 µin gold over nickel.
Backshell material	Aluminum
Backshell plating	Yellow chromate conversion
Backshell hardware material	Stainless steel with thread locking patch Steel with thread locking patch
Backshell hardware plating	Passivation Nickel plating
Interfacial seal material	Flourosilicone sponge, MIL-R- 6130 type II

ELECTRICAL

	Working voltage (rms)	100v to 1000v
I	Initial contact resistance	Power - 0.2 mΩ Signal - 5 mΩ

 Positronic® <small>an Amphenol company</small>	DOCUMENT NUMBER	REVISION	PAGE NUMBER
	AES-ECBU	A	Page 3 of 59

ASTRONICS ECBU CABLE CONNECTORS

USER GUIDE

Contact current rating Power - up to 100A
Signal - 3A

MECHANICAL

Contact style Removable

Contact termination Crimp


Female contact design Closed entry

Mating cycles 1000

Back shell jackscrews 8-32, with 0.143 [3.63mm] socket head

ENVIRONMENTAL

Operation temperature -55 to 160 deg C

 Positronic <small>an Amphenol company</small>	DOCUMENT NUMBER	REVISION	PAGE NUMBER
	AES-ECBU	A	Page 4 of 59

ASTRONICS ECBU CABLE CONNECTORS


USER GUIDE

3.0 CONNECTORS – 28VDC – ECBU LRU

28VDC connectors with backshells

Part number	SK18444-1-2K1	SK18444-2-2K1
Position	P1	P1
Gender	Female	Female
Keyed	No	Yes
Kitted Contact	FC0404N2S/AA-14-1882.35 Size 4 - qty 1 For 4 awg wire	FC0404N2S/AA-14-1882.35 Size 4 - qty 1 For 4 awg wire
Kitted Contact	FC114P2/AA-PA907 Size 16 - qty4 For 14 to 16 awg wire	FC114P2/AA-PA907 Size 16 - qty4 For 14 to 16 awg wire
Kitted Contact	FC1816P2/AA Size 18 - qty3 For 16 to 18 awg wire	FC1816P2/AA Size 18 - qty3 For 16 to 18 awg wire
Kitted Contact	FC422P9/AA Size 22 - qty 28 For 22 to 26 awg wire	FC422P9/AA Size 22 - qty 28 For 22 to 26 awg wire

Part number	SK18445-1-1K1	SK18445-2-1K1
Position	P2	P2
Gender	Male	Male
Keyed	No	Yes
Kitted Contact	MC112NS/AA Size 16 - qty 4 For 12 awg wire	MC112NS/AA Size 16 - qty 4 For 12 awg wire
Kitted Contact	MC114N/AA Size 16 - qty 4 For 14 to 16 awg wire	MC114N/AA Size 16 - qty 4 For 14 to 16 awg wire
Kitted Contact	FC1816N/AA Size 18 - qty 12 For 16 to 18 awg wire	FC1816N/AA Size 18 - qty 12 For 16 to 18 awg wire

 Positronic <small>an Amphenol company</small>	DOCUMENT NUMBER	REVISION	PAGE NUMBER
	AES-ECBU	A	Page 5 of 59

ASTRONICS ECBU CABLE CONNECTORS


USER GUIDE

28VDC connectors

Part number	SK18444-K	SK18445-K
Position	P1	P2
Gender	Female	Male
Keyed	NA	NA
Kitted Contact	FC0404N2S/AA-14-1882.35 Size 4 - qty 1 For 4 awg wire	MC112NS/AA Size 16 - qty 4 For 12 awg wire
Kitted Contact	FC114P2/AA-PA907 Size 16 - qty4 For 14 to 16 awg wire	MC114N/AA Size 16 - qty 4 For 14 to 16 awg wire
Kitted Contact	FC1816P2/AA Size 18 - qty3 For 16 to 18 awg wire	FC1816N/AA Size 18 - qty 12 For 16 to 18 awg wire
Kitted Contact	FC422P9/AA Size 22 - qty 28 For 22 to 26 awg wire	

28VDC crimp tooling

Positronic Contact Part Number	Strip Wire Length [in (mm)]	Crimp Tools			Positioner		
		Positronic PN	DMC Equivalent	Mil Equivalent	Positronic PN	DMC Equivalent	Mil Equivalent
MC1816N/AA	.230±.020 (5.84±.51)	9507-0-0-0	AFM8	M22520/2-01	9502-32-0-0 9502-18-0-0	K1202	-
MC114N/AA	.230±.020 (5.84±.51)	9501-0-0-0	AF8	M22520/1-01	9502-1-0-0	TH4	M22520/1-03
MC112NS/AA	.230±.020 (5.84±.51)	9509-4-0-0	GS222	-	9509-5-0-0	TP1366	-
FC1816P2/AA	.230±.020 (5.84±.51)	9507-0-0-0	AFM8	M22520/2-01	9502-30-0-0 9502-18-0-0	K1202	-
FC114P2/AA-PA907	.230±.020 (5.84±.51)	9501-0-0-0	AF8	M22520/1-01	9502-1-0-0	TH4	M22520/1-03
FC0404N2S/AA-14-1882.35	.460±.020 (11.68±.51)	9503-2-1-0 9503-2-2-0	WA23 WA23-4	M22520/23-01 M22520/23-04	9503-2-4-0	WA23-458L	-

 Positronic <small>an Amphenol company</small>	DOCUMENT NUMBER	REVISION	PAGE NUMBER
	AES-ECBU	A	Page 6 of 59


ASTRONICS ECBU CABLE CONNECTORS

USER GUIDE

FC422P9/AA	.125±.020 (3.18±.51)	9507-0-0-0	AFM8	M22520/2-01	9502-13-0-0	K280	-
------------	-------------------------	------------	------	-------------	-------------	------	---

28VDC insertion/ removal tooling

Positronic Contact Part Number	Insertion Tool				Removal Tool			
	Positronic PN	Contact Service Equivalent	DMC Equivalent	Mil Equivalent	Positronic PN	Contact Service Equivalent	DMC Equivalent	Mil Equivalent
MC1816N/AA	9099-6-0-0	-	-	-	9081-9-0-0	-	-	-
MC114N/AA	9099-0-0-0	ITH 1094	DAK123A	M81969/18-01	9081-0-0-0	RTG 2103	DRK124A	M81969/20-01
MC112NS/AA	9099-0-0-0	ITH 1094	DAK123A	M81969/18-01	9081-0-0-0	RTG 2103	DRK124A	M81969/20-01
FC1816P2/AA	9099-6-0-0	-	-	-	9081-9-0-0	-	-	-
FC114P2/AA-PA907	9099-0-0-0	ITH 1094	DAK123A	M81969/18-01	9081-0-0-0	RTG 2103	DRK124A	M81969/20-01
FC0404N2S/AA-14-1882.35	N/A				N/A			
FC422P9/AA	9099-7-0-0	-	-	-	9081-3-0-0	RNG-2103	-	-

 Positronic <small>an Amphenol company</small>	DOCUMENT NUMBER	REVISION	PAGE NUMBER
	AES-ECBU	A	Page 7 of 59

ASTRONICS ECBU CABLE CONNECTORS

USER GUIDE

4.0 CONNECTORS – 115VAC – ECBU LRU


115VAC ECBU connectors with backshells

Part number	SK21801-1-1K1	SK21801-2-1K1
Position	P1	P1
Gender	Male	Male
Keyed	No	Yes
Kitted Contact	MC1210NS/AA Size 12 - qty 1 For 10 awg wire	MC1210NS/AA Size 12 - qty 1 For 10 awg wire
Kitted Contact	MC114N/AA Size 16 - qty 4 For 14 - 16 awg wire	MC114N/AA Size 16 - qty 4 For 14 - 16 awg wire
Kitted Contact	MC1816NS/AA Size 18 - qty3 For 16 – 18 awg wire	MC1816NS/AA Size 18 - qty3 For 16 – 18 awg wire
Kitted Contact	MC422N9/AA-1127.11 Size 22 - qty 28 For 22 to 26 awg wire	MC422N9/AA-1127.11 Size 22 - qty 28 For 22 to 26 awg wire

Part number	SK21804-1-2K1	SK21804-2-2K1
Position	P2	P2
Gender	Female	Female
Keyed	No	Yes
Kitted Contact	MC4008DS/AA Size 12 - qty 3 For 8 awg wire	MC4008DS/AA Size 12 - qty 3 For 8 awg wire
Kitted Contact	FC112P2/AA-PA907 Size 16 - qty 2 For 12 to 12 awg wire	FC112P2/AA-PA907 Size 16 - qty 2 For 12 to 12 awg wire

115VAC ECBU connectors

Part number	SK21801-K	SK21804-K
Position	P1	P2
Gender	Male	Female
Keyed	NA	NA
Kitted Contact	MC1210NS/AA Size 12 - qty 1 For 10 awg wire	MC4008DS/AA Size 12 - qty 3 For 8 awg wire
Kitted Contact	MC114N/AA Size 16 - qty 4 For 14 - 16 awg wire	FC112P2/AA-PA907 Size 16 - qty 2 For 12 to 12 awg wire
Kitted Contact	MC1816NS/AA Size 18 - qty3 For 16 – 18 awg wire	
Kitted Contact	MC422N9/AA-1127.11	

 Positronic <small>an Amphenol company</small>	DOCUMENT NUMBER	REVISION	PAGE NUMBER
	AES-ECBU	A	Page 8 of 59

ASTRONICS ECBU CABLE CONNECTORS

USER GUIDE


Size 22 - qty 28 For 22 to 26 awg wire

115VAC crimp tooling

Positronic Contact Part Number	Strip Wire Length [in (mm)]	Crimp Tools			Positioner		
		Positronic PN	DMC Equivalent	Mil Equivalent	Positronic PN	DMC Equivalent	Mil Equivalent
MC422N9/AA-1127.11	.125±.020 (3.18±.51)	9507-0-0-0	AFM8	M22520/2-01	9502-13-0-0	K280	-
MC1816NS/AA	.230±.020 (5.84±.51)	9507-0-0-0	AFM8	M22520/2-01	9502-32-0-0 9502-18-0-0	K1202	-
MC114N/AA	.230±.020 (5.84±.51)	9501-0-0-0	AF8	M22520/1-01	9502-1-0-0	TH4	M22520/1-03
MC112NS/AA	.230±.020 (5.84±.51)	9509-4-0-0	GS222	-	9509-5-0-0	TP1366	-
MC1210NS/AA	.230±.020 (5.84±.51)	9501-0-0-0	AF8	M22520/1-01	9509-6-2-0	TP1386	-
FC114P2/AA-PA907	.230±.020 (5.84±.51)	9501-0-0-0	AF8	M22520/1-01	9502-1-0-0	TH4	M22520/1-03
FC4008DS/AA	.350±.020 (8.89±.51)	9504-1-0-0	HX-4	M22520/5-01	9504-19-1-0	Y524	-

115VAC insertion/ removal tooling

Positronic Contact Part Number	Insertion Tool				Removal Tool			
	Positronic PN	Contact Service Equivalent	DMC Equivalent	Mil Equivalent	Positronic PN	Contact Service Equivalent	DMC Equivalent	Mil Equivalent
MC422N9/AA-1127.11	9099-7-0-0	-	-	-	9081-3-0-0	RNG2103	-	-
MC1816NS/AA	9099-6-0-0	-	-	-	9081-9-0-0	-	-	-
MC114N/AA	9099-0-0-0	ITH 1094	DAK123A	M81969/18-01	9081-0-0-0	RTG 2103	DRK124A	M81969/20-01
MC112NS/AA	9099-0-0-0	ITH 1094	DAK123A	M81969/18-01	9081-0-0-0	RTG 2103	DRK124A	M81969/20-01
MC1210NS/AA	9099-3-0-0	ITP 1168	-	-	2711-0-0-0	-	-	-
FC114P2/AA-PA907	9099-0-0-0	ITH 1094	DAK123A	M81969/18-01	9081-0-0-0	RTG 2103	DRK124A	M81969/20-01
FC4008DS/AA	-	-	-	-	4311-0-0-0	-	-	-

	DOCUMENT NUMBER	REVISION	PAGE NUMBER
	AES-ECBU	A	Page 9 of 59

ASTRONICS ECBU CABLE CONNECTORS


USER GUIDE

5.0 CONNECTORS – 270VDC – ECBU LRU

270VDC ECBU connectors

Part number	SK25170-K	SK25172-K
Position		
Gender	Male	Female
Associated back shell	SK25204-*	SK25203-*
Keyed	NA	NA
Kitted Contact	MC1816N/AA Size 18 - qty 5 For 16 – 18 awg wire	FC0404N2S/AA-14-1882.35 Size 4 - qty 1 For 4 awg wire
Kitted Contact		FC422P9/AA Size 22 - qty 36 For 22-26 awg wire

Part number	SK25174-K
Position	
Gender	Male
Associated back shell	SK25204-*
Keyed	NA
Kitted Contact	MC1816N/AA Size 18 - qty 5 For 16 – 18 awg wire

 Positronic® <small>an Amphenol company</small>	DOCUMENT NUMBER	REVISION	PAGE NUMBER
	AES-ECBU	A	Page 10 of 59

ASTRONICS ECBU CABLE CONNECTORS


USER GUIDE

270VDC crimp tooling

Positronic Contact Part Number	Strip Wire Length [in (mm)]	Crimp Tools			Positioner		
		Positronic PN	DMC Equivalent	Mil Equivalent	Positronic PN	DMC Equivalent	Mil Equivalent
MC1816N/AA	.230±.020 (5.84±.51)	9507-0-0-0	AFM8	M22520/2-01	9502-32-0-0 9502-18-0-0	K1202	-
FC4008DS/AA	.350±.020 (8.89±.51)	9504-1-0-0	HX-4	M22520/5-01	9504-19-1-0	Y524	-
FC422P9/AA	.125±.020 (3.18±.51)	9507-0-0-0	AFM8	M22520/2-01	9502-13-0-0	K280	-

270VDC insertion/ removal tooling

Positronic Contact Part Number	Insertion Tool				Removal Tool			
	Positronic PN	Contact Service Equivalent	DMC Equivalent	Mil Equivalent	Positronic PN	Contact Service Equivalent	DMC Equivalent	Mil Equivalent
MC1816N/AA	9099-6-0-0	-	-	-	9081-9-0-0	-	-	-
FC0404N2S/AA-14-1882.35	N/A				N/A			
FC422P9/AA	9099-7-0-0	-	-	-	9081-3-0-0	RNG-2103	-	-

 Positronic <small>an Amphenol company</small>	DOCUMENT NUMBER	REVISION	PAGE NUMBER
	AES-ECBU	A	Page 11 of 59

ASTRONICS ECBU CABLE CONNECTORS

USER GUIDE


6.0 CONNECTORS - SCM - ECBU LRU

SCM connectors

Part number	SK25115-K	SK25117-K
Position		
Gender	Male	Female
Associated back shell	SK25203-*	SK25203-*
Keyed	NA	NA
Kitted Contact	MC422N9/AA-1127.11 Size 22 - qty 72 For 22 to 26 awg wire	FC1816P2/AA Size 22 - qty 3 For 16 to 18 awg wire
Kitted Contact		FC422P9/AA Size 22 - qty 68 For 22 to 26 awg wire

SCM crimp tooling

Positronic Contact Part Number	Strip Wire Length [in (mm)]	Crimp Tools			Positioner		
		Positronic PN	DMC Equivalent	Mil Equivalent	Positronic PN	DMC Equivalent	Mil Equivalent
MC422N9/AA-1127.11	.125±.020 (3.18±.51)	9507-0-0-0	AFM8	M22520/2-01	9502-13-0-0	K280	-
FC1816P2/AA	.230±.020 (5.84±.51)	9507-0-0-0	AFM8	M22520/2-01	9502-30-0-0 9502-18-0-0	K1202	-
FC422P9/AA	.125±.020 (3.18±.51)	9507-0-0-0	AFM8	M22520/2-01	9502-13-0-0	K280	-


 Positronic <small>an Amphenol company</small>	DOCUMENT NUMBER	REVISION	PAGE NUMBER
	AES-ECBU	A	Page 12 of 59

ASTRONICS ECBU CABLE CONNECTORS

USER GUIDE

SCM insertion/ removal tooling

Positronic Contact Part Number	Insertion Tool				Removal Tool			
	Positronic PN	Contact Service Equivalent	DMC Equivalent	Mil Equivalent	Positronic PN	Contact Service Equivalent	DMC Equivalent	Mil Equivalent
MC422N9/AA-1127.11	9099-7-0-0	-	-	-	9081-3-0-0	RNG2103	-	-
FC1816P2/AA	9099-6-0-0				-			
FC422P9/AA	9099-7-0-0	-	-	-	9081-3-0-0	RNG-2103	-	-

 Positronic® <small>an Amphenol company</small>	DOCUMENT NUMBER	REVISION	PAGE NUMBER
	AES-ECBU	A	Page 13 of 59

ASTRONICS ECBU CABLE CONNECTORS

USER GUIDE


7.0 CONNECTORS – GCU – ECBU LRU

GCU connectors

Part number	SK25166-K	SK25168-K
Position		
Gender	Female	Female
Associated back shell	SK25202-*	SK25203-*
Keyed	NA	NA
Kitted Contact	FC1816P2/AA Size 22 - qty 6 For 16 to 18 awg wire	FC1816P2/AA Size 22 - qty 6 For 16 to 18 awg wire
Kitted Contact	FC422P9/AA Size 22 - qty 36 For 22 to 26 awg wire	FC422P9/AA Size 22 - qty 20 For 22 to 26 awg wire

GCU crimp tooling

Positronic Contact Part Number	Strip Wire Length [in (mm)]	Crimp Tools			Positioner		
		Positronic PN	DMC Equivalent	Mil Equivalent	Positronic PN	DMC Equivalent	Mil Equivalent
FC1816P2/AA	.230±.020 (5.84±.51)	9507-0-0-0	AFM8	M22520/2-01	9502-30-0-0 9502-18-0-0	K1202	-
FC422P9/AA	.125±.020 (3.18±.51)	9507-0-0-0	AFM8	M22520/2-01	9502-13-0-0	K280	-


 Positronic <small>an Amphenol company</small>	DOCUMENT NUMBER	REVISION	PAGE NUMBER
	AES-ECBU	A	Page 14 of 59

ASTRONICS ECBU CABLE CONNECTORS

USER GUIDE

GCU insertion/ removal tooling

Positronic Contact Part Number	Insertion Tool				Removal Tool			
	Positronic PN	Contact Service Equivalent	DMC Equivalent	Mil Equivalent	Positronic PN	Contact Service Equivalent	DMC Equivalent	Mil Equivalent
FC1816P2/AA	9099-6-0-0				-			
FC422P9/AA	9099-7-0-0	-	-	-	9081-3-0-0	RNG-2103	-	-

 Positronic® <small>an Amphenol company</small>	DOCUMENT NUMBER	REVISION	PAGE NUMBER
	AES-ECBU	A	Page 15 of 59

ASTRONICS ECBU CABLE CONNECTORS

USER GUIDE


8.0 BACKSHELLS – ALL ECBU/LRU

Backshells

Part number	SK25202-1	SK25202-2	SK25202-3
Keying position	Neutral	Left	Right
Center to center dim.	2.65" [67.31mm]	2.65" [67.31mm]	2.65" [67.31mm]

Part number	SK25203-1	SK25203-2	SK25203-3
Keying position	Neutral	Left	Right
Center to center dim.	2.86" [72.62mm]	2.86" [72.62mm]	2.86" [72.62mm]

Part number	SK25204-1	SK25204-2
Keying position	Neutral	Left
Center to center dim.	2.24" [28.52mm]	2.24" [28.52mm]

 Positronic® <small>an Amphenol company</small>	DOCUMENT NUMBER	REVISION	PAGE NUMBER
	AES-ECBU	A	Page 16 of 59


ASTRONICS ECBU CABLE CONNECTORS

USER GUIDE

9.0 COMBINED CONTACT/TOOLING MATRIX

Crimp tooling

Positronic Contact Part Number	Strip Wire Length [in (mm)]	Crimp Tools			Positioner		
		Positronic PN	DMC Equivalent	Mil Equivalent	Positronic PN	DMC Equivalent	Mil Equivalent
MC422N9/AA-1127.11	.125±.020 (3.18±.51)	9507-0-0-0	AFM8	M22520/2-01	9502-13-0-0	K280	-
MC1816N/AA	.230±.020 (5.84±.51)	9507-0-0-0	AFM8	M22520/2-01	9502-32-0-0 9502-18-0-0	K1202	-
MC1816NS/AA	.230±.020 (5.84±.51)	9507-0-0-0	AFM8	M22520/2-01	9502-32-0-0 9502-18-0-0	K1202	-
MC114N/AA	.230±.020 (5.84±.51)	9501-0-0-0	AF8	M22520/1-01	9502-1-0-0	TH4	M22520/1-03
MC112NS/AA	.230±.020 (5.84±.51)	9509-4-0-0	GS222	-	9509-5-0-0	TP1366	-
MC1210NS/AA	.230±.020 (5.84±.51)	9501-0-0-0	AF8	M22520/1-01	9509-6-2-0	TP1386	-
FC1816P2/AA	.230±.020 (5.84±.51)	9507-0-0-0	AFM8	M22520/2-01	9502-30-0-0 9502-18-0-0	K1202	-
FC112P2/AA-P907	.230±.020 (5.84±.51)	9501-0-0-0	AF8	M22520/1-01	9502-1-0-0	TH4	M22520/1-03
FC114P2/AA-PA907	.230±.020 (5.84±.51)	9501-0-0-0	AF8	M22520/1-01	9502-1-0-0	TH4	M22520/1-03
FC0404N2S/AA-14-1882.35	.460±.020 (11.68±.51)	9503-2-1-0	WA23	M22520/23-01	9503-2-4-0	WA23-458L	-
		9503-2-2-0	WA23-4	M22520/23-04			
FC4008DS/AA	.350±.020 (8.89±.51)	9504-1-0-0	HX-4	M22520/5-01	9504-19-1-0	Y524	-

	DOCUMENT NUMBER	REVISION	PAGE NUMBER
	AES-ECBU	A	Page 17 of 59


ASTRONICS ECBU CABLE CONNECTORS

USER GUIDE

FC422P9/AA	.125±.020 (3.18±.51)	9507-0-0-0	AFM8	M22520/2-01	9502-13-0-0	K280	-
------------	-------------------------	------------	------	-------------	-------------	------	---

Insertion/ removal tooling

Positronic Contact Part Number	Insertion Tool				Removal Tool			
	Positronic PN	Contact Service Equivalent	DMC Equivalent	Mil Equivalent	Positronic PN	Contact Service Equivalent	DMC Equivalent	Mil Equivalent
MC422N9/AA-1127.11	9099-7-0-0	-	-	-	9081-3-0-0	RNG2103	-	-
MC1816N/AA	9099-6-0-0	-	-	-	9081-9-0-0	-	-	-
MC1816NS/AA	9099-6-0-0	-	-	-	9081-9-0-0	-	-	-
MC114N/AA	9099-0-0-0	ITH 1094	DAK123A	M81969/18-01	9081-0-0-0	RTG 2103	DRK124A	M81969/20-01
MC112NS/AA	9099-0-0-0	ITH 1094	DAK123A	M81969/18-01	9081-0-0-0	RTG 2103	DRK124A	M81969/20-01
MC1210NS/AA	9099-3-0-0	ITP 1168	-	-	2711-0-0-0	-	-	-
FC1816P2/AA	9099-6-0-0	-	-	-	9081-9-0-0	-	-	-
FC112P2/AA-P907	9099-0-0-0	ITH 1094	DAK123A	M81969/18-01	9081-0-0-0	RTG 2103	DRK124A	M81969/20-01
FC114P2/AA-PA907	9099-0-0-0	ITH 1094	DAK123A	M81969/18-01	9081-0-0-0	RTG 2103	DRK124A	M81969/20-01
FC4008DS/AA					4311-0-0-0	-	-	-
FC0404N2S/AA-14-1882.35	N/A				N/A			

 Positronic <small>an Amphenol company</small>	DOCUMENT NUMBER	REVISION	PAGE NUMBER
	AES-ECBU	A	Page 18 of 59

ASTRONICS ECBU CABLE CONNECTORS

USER GUIDE

10.0 ASSEMBLY INSTRUCTIONS

ASSEMBLY INSTRUCTIONS

Terminate contacts


- Use the tooling guide to determine the correct crimp tooling.
- Use the tooling guide to determine the correct insulation strip length on the conductors to be terminated.
- Crimp contacts and inspect using your internal inspection criteria.

Load Contacts

- Load contacts into the desired pinout positions.
- All contacts, except for the large size 4 power contact use AS39029 style retention. The contacts should “click” into place.
- Check that the contact are fully seated for applying a gentle force, pulling backward on the conductor.
- The size 4 power contact should be fully inserted into the connector body. The “u-shaped” clipped is then inserted into the connector body locking the contact into place. The clip is fully seated when it is flush with the connector body.

Assemble backshell

- After completing the contact loading, place the connector into the backshell.
- Terminate ground pigtailed to the two grounding positions in the backshell.
- Dress the harness bundle per preferred workmanship standards.
- Build up the harness bundle if necessary, and install the cable clamps.
- Install backshell cover.
- Install jackscrews into back shell by threading them through the backshell until they pass all the way through the threads and are “free to spin”.

 Positronic® <small>an Amphenol company</small>	DOCUMENT NUMBER	REVISION	PAGE NUMBER
	AES-ECBU	A	Page 19 of 59

ASTRONICS ECBU CABLE CONNECTORS

USER GUIDE

- Install the interfacial seal on the mating face of male connectors by carefully lining up the through holes with the contacts and gently pushing the seal down until it is seated against the connector body at the base of the contacts.

11.0 RESOURCES

Technical resources


Technical inquiries should be directed to the resources listed. Our team offers immediate responses to your questions. We can answer your questions in real time communication and provide technical drawing in PDF and Stp formats.

- Positronic point of contact:
 - Eric Eike
 - eeike@connectpositronic.com
 - 334.390.9365
- Positronic Field Application Engineers:
 - Posilive@connectpositronic.com
 - 417.855.2030
 - Live web chat www.connectpositronc.com

Purchasing resources

Purchasing inquires for quote and order placement can be directed direct to Positronic or one of our authorized distributors.

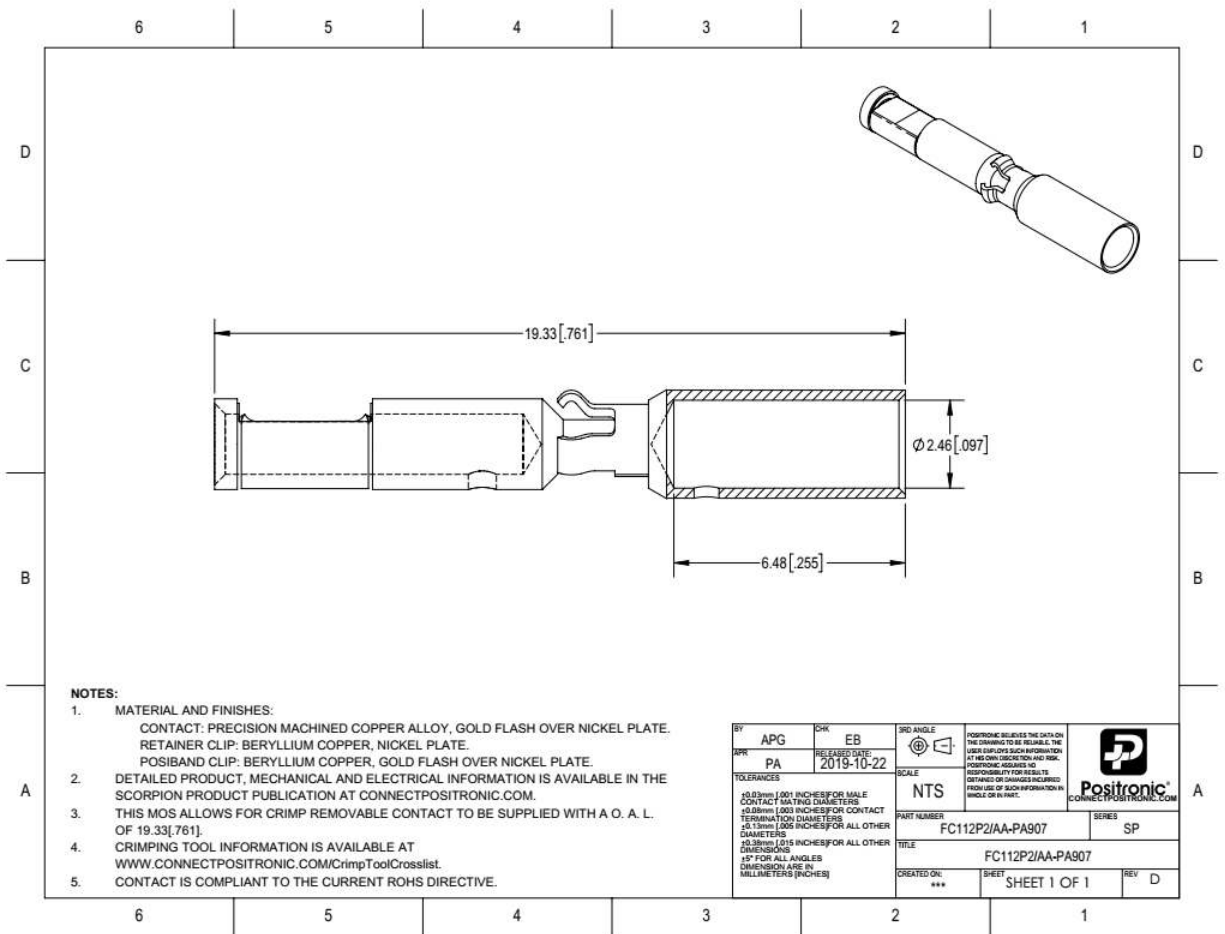
- Positronic direct communication:
 - Inside sales team
 - Insidesales@connectpositronic.com
 - 417.866.2322
- Authorized distributors
 - Distributors: <https://www.connectpositronic.com/en/channel-partners/>

 Positronic [®] <small>an Amphenol company</small>	DOCUMENT NUMBER	REVISION	PAGE NUMBER
	AES-ECBU	A	Page 20 of 59

ASTRONICS ECBU CABLE CONNECTORS

USER GUIDE

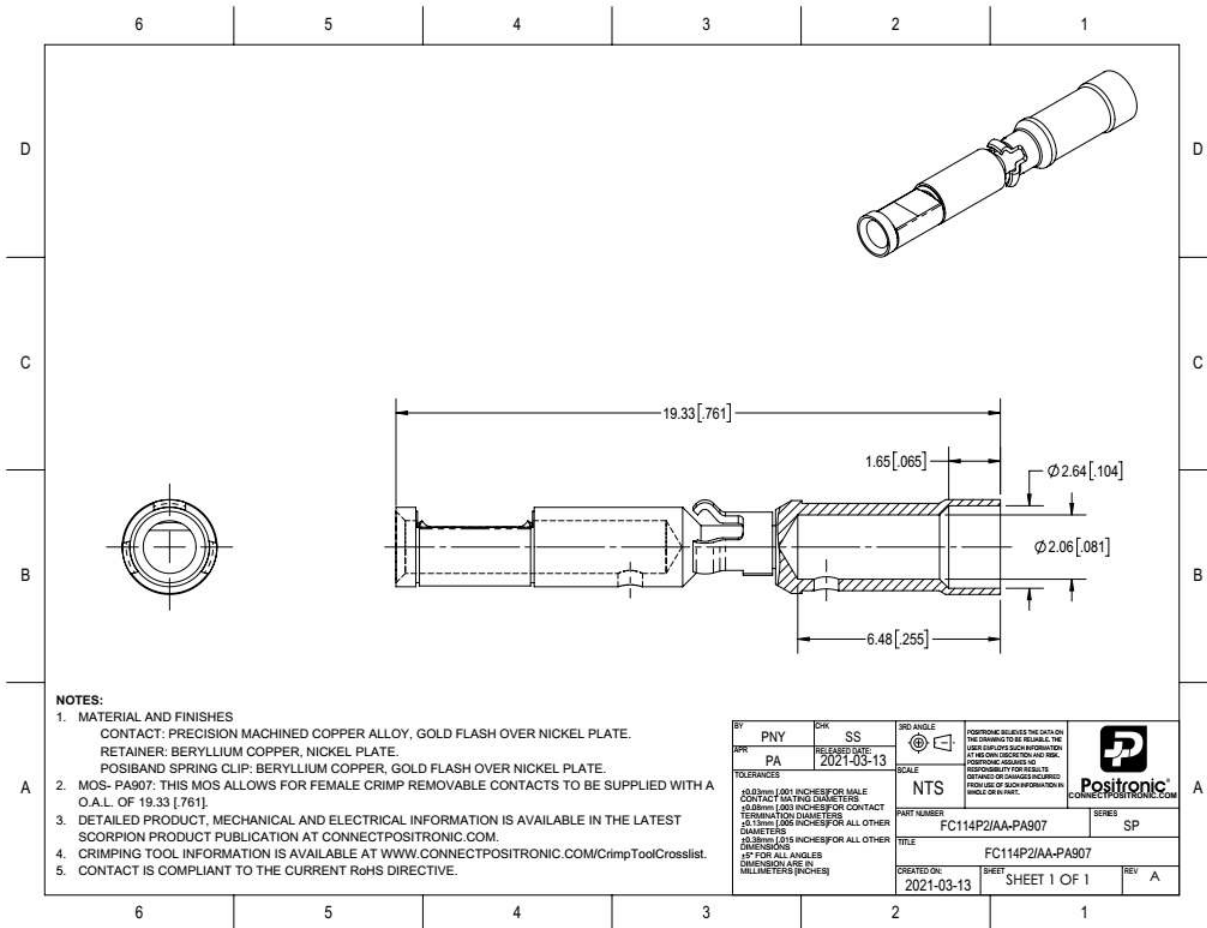
12.0 DRAWINGS – CONTACTS - CONNECTORS - BACKSHELLS




	DOCUMENT NUMBER	REVISION	PAGE NUMBER
	AES-ECBU	A	Page 21 of 59

ASTRONICS ECBU CABLE CONNECTORS

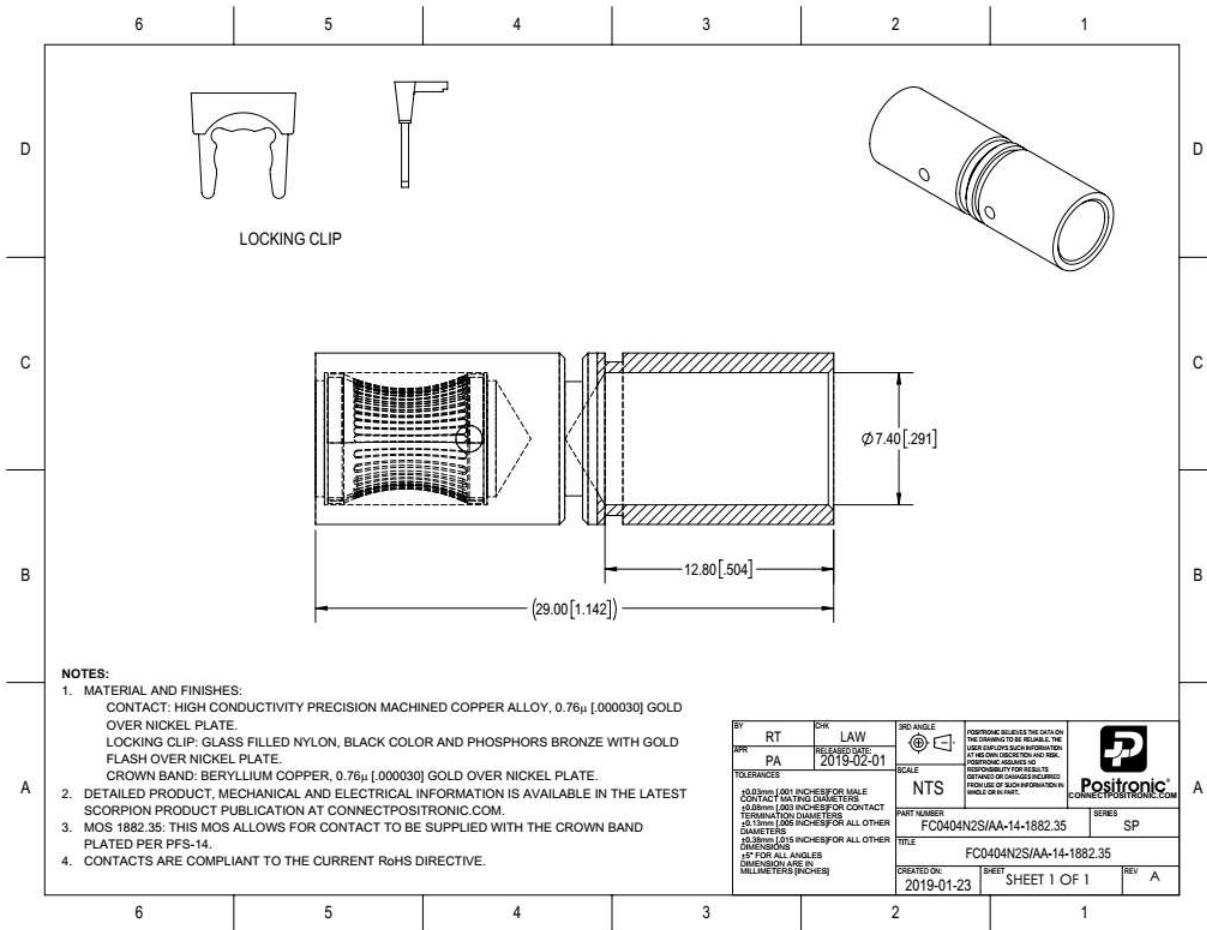
USER GUIDE




 Positronic an Amphenol company	DOCUMENT NUMBER	REVISION	PAGE NUMBER
	AES-ECBU	A	Page 22 of 59

ASTRONICS ECBU CABLE CONNECTORS

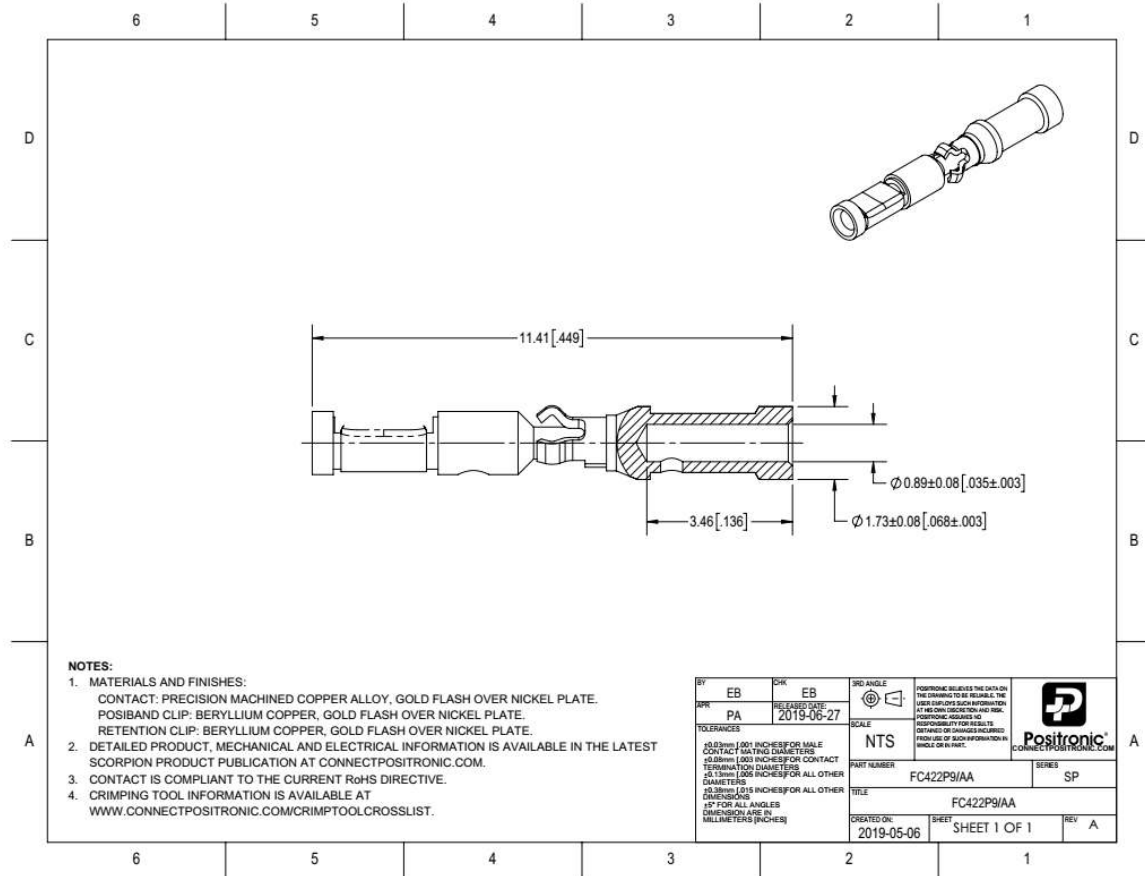
USER GUIDE



 Positronic <small>an Amphenol company</small>	DOCUMENT NUMBER	REVISION	PAGE NUMBER
	AES-ECBU	A	Page 23 of 59

ASTRONICS ECBU CABLE CONNECTORS

USER GUIDE



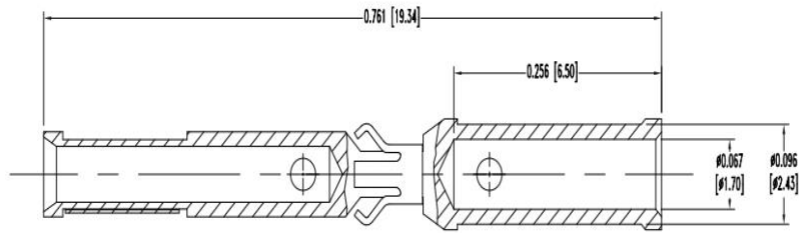
	DOCUMENT NUMBER	REVISION	PAGE NUMBER
	AES-ECBU	A	Page 24 of 59

ASTRONICS ECBU CABLE CONNECTORS

USER GUIDE

THIS DRAWING CONTAINS INFORMATION PROPRIETARY TO POSITRONIC AND ITS SUBSIDIARIES. POSITRONIC BELIEVES THE DATA ON THIS DRAWING TO BE RELIABLE, SINCE THE TECHNICAL INFORMATION IS GIVEN FREE OF CHARGE, THE USER EMPLOYS SUCH INFORMATION AT HIS OWN DISCRETION AND RISK. POSITRONIC ASSUMES NO RESPONSIBILITY FOR RESULTS OBTAINED OR DAMAGES INCURRED FROM USE OF SUCH INFORMATION IN WHOLE OR IN PART.

FC1816P2/AA		APP	DR	CK
DATE/REV	REVISION RECORD	PA	AB	MS
06-16-20	A	ECO	75191	



NOTES:

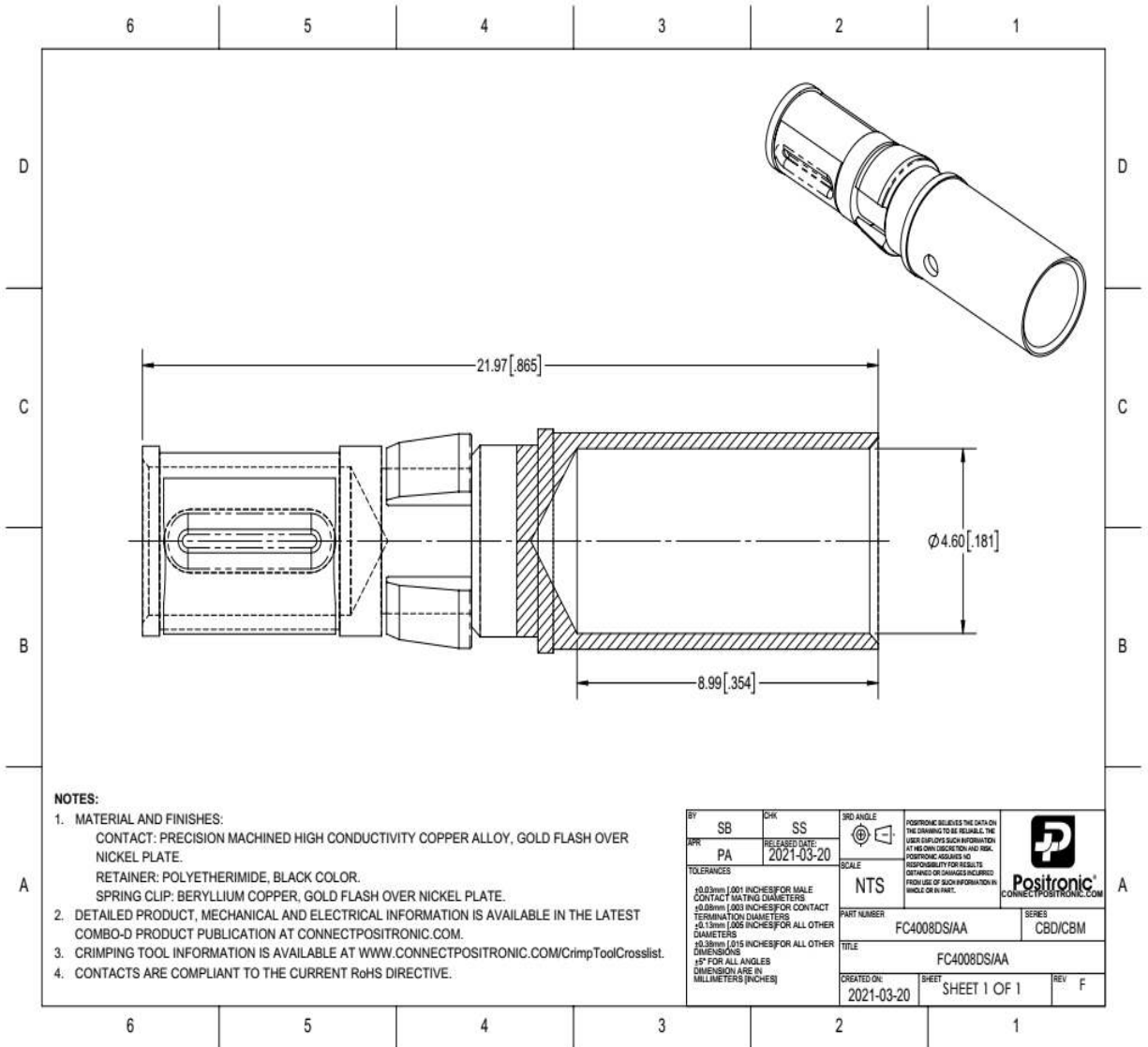
- 1. MATERIAL AND FINISHES:**
 CONTACT: PRECISION MACHINED COPPER ALLOY, GOLD FLASH OVER NICKEL PLATE.
 RETENTION RING: BERYLLIUM COPPER, GOLD FLASH OVER NICKEL PLATE.
 SPRING CLIP: BERYLLIUM COPPER, GOLD FLASH OVER NICKEL PLATE.
- 2. DETAILED PRODUCT, MECHANICAL AND ELECTRICAL INFORMATION IS AVAILABLE IN THE LATEST SCORPION SERIES PRODUCT PUBLICATION AT CONNECTPOSITRONIC.COM.**
- 3. CONTACTS ARE COMPLIANT TO THE CURRENT RoHS DIRECTIVE.**
- 4. DIMENSIONS ARE IN INCHES [MILLIMETERS]**


	POSITRONIC INDUSTRIES INC. SPRINGFIELD, MISSOURI 65801	
	SCALE N.T.S.	DRAWN BY AMOL B. APPROVED BY PA
DECIMAL TOL. ±0.015 [0.38]	TITLE FC1816P2/AA	
ANGULAR TOL. ±5°	DATE 06-16-20	DRAWING NUMBER FC1816P2/AA
		REV. A

	DOCUMENT NUMBER	REVISION	PAGE NUMBER
	AES-ECBU	A	Page 25 of 59

ASTRONICS ECBU CABLE CONNECTORS

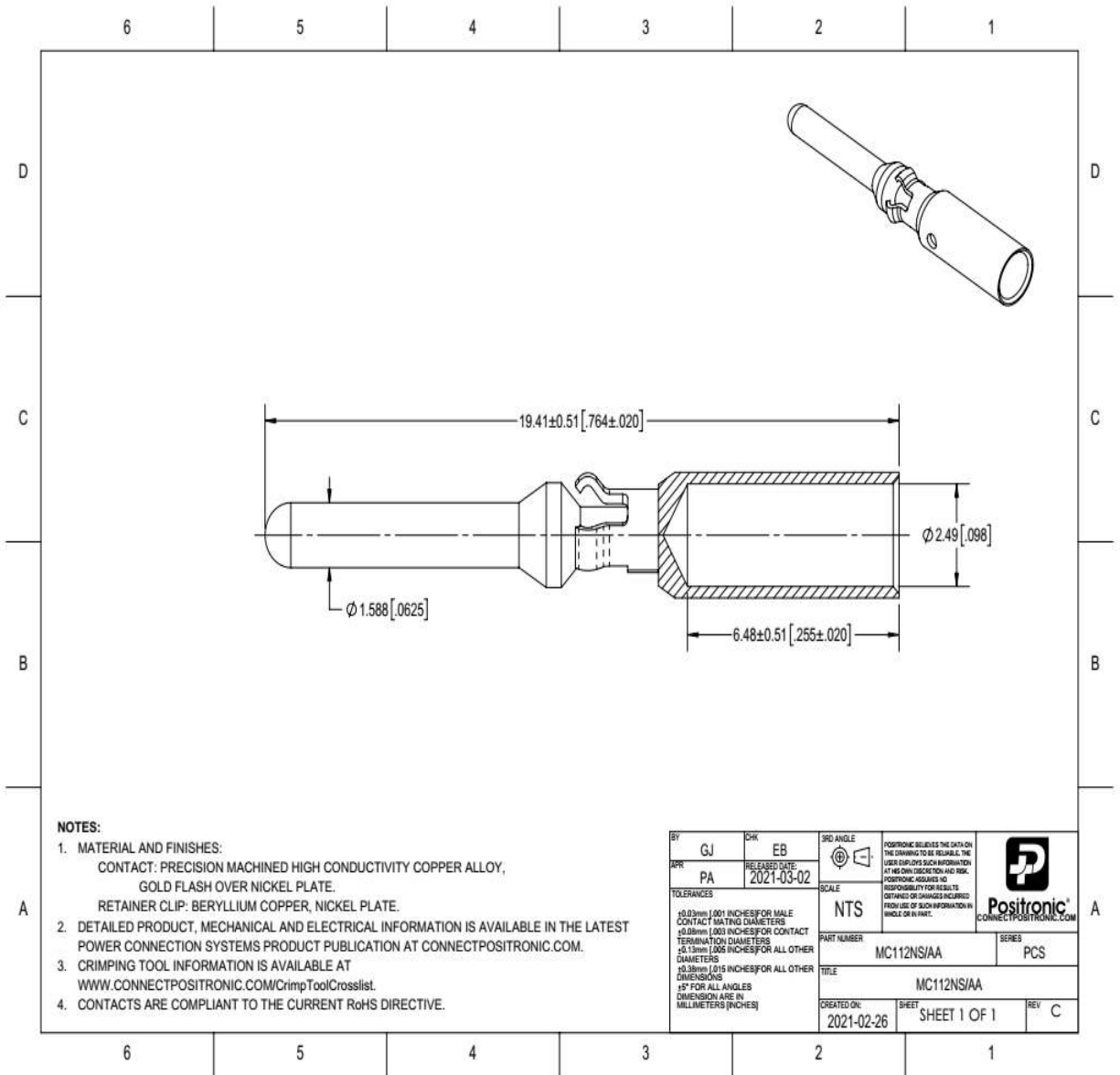
USER GUIDE



	DOCUMENT NUMBER	REVISION	PAGE NUMBER
	AES-ECBU	A	Page 26 of 59

ASTRONICS ECBU CABLE CONNECTORS

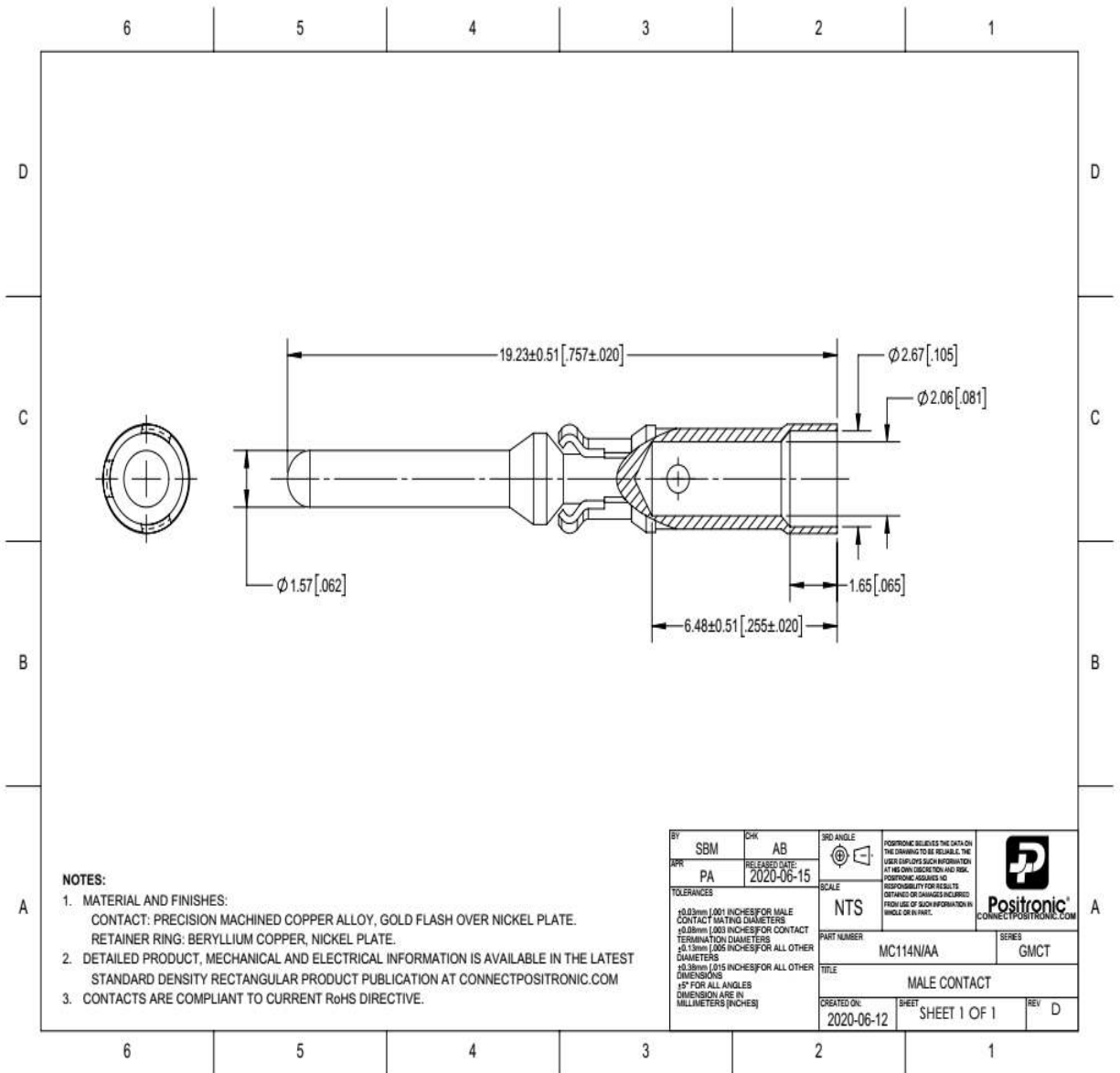
USER GUIDE



Positronic an Amphenol company	DOCUMENT NUMBER	REVISION	PAGE NUMBER
	AES-ECBU	A	Page 27 of 59

ASTRONICS ECBU CABLE CONNECTORS

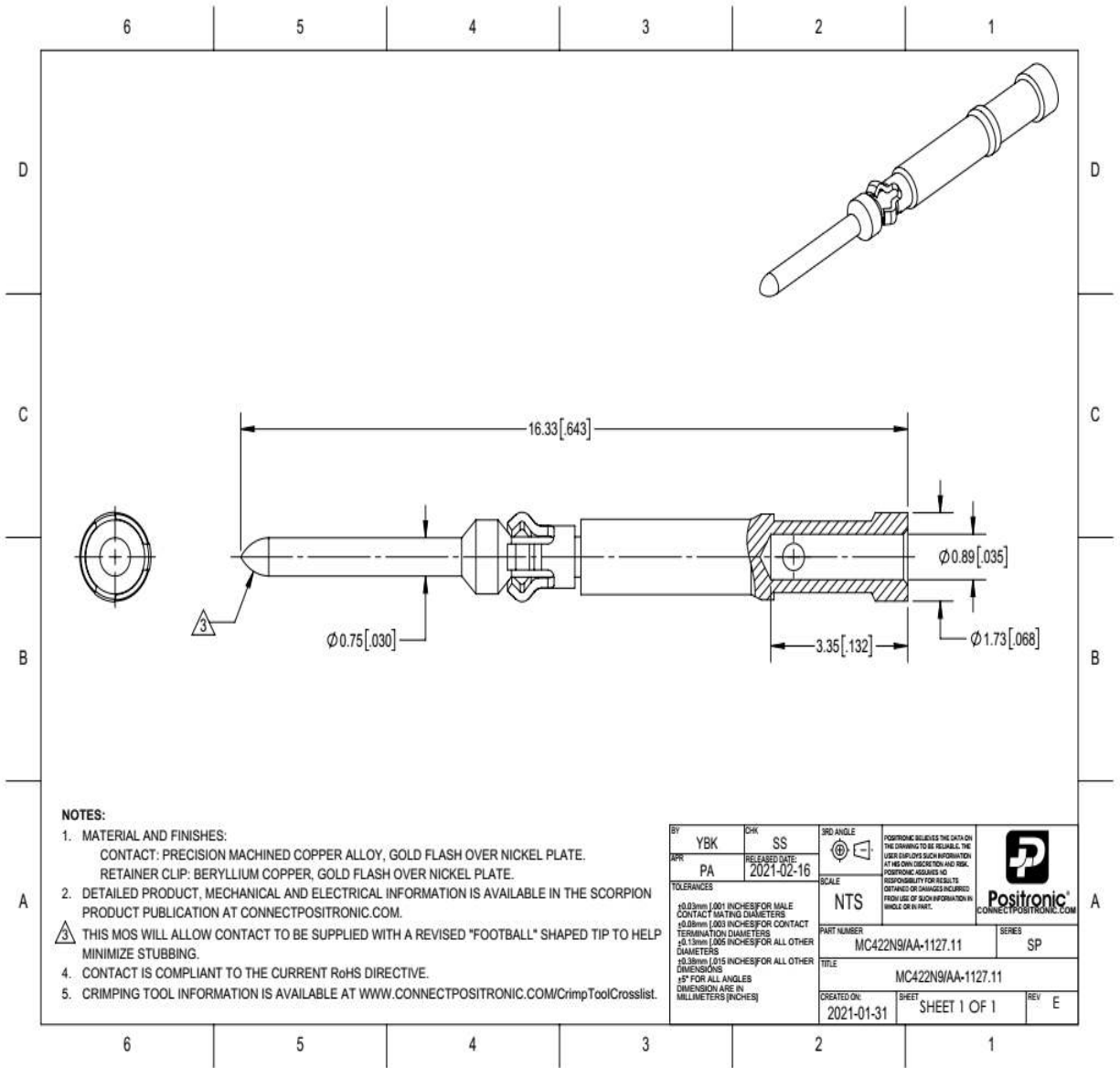
USER GUIDE



	DOCUMENT NUMBER	REVISION	PAGE NUMBER
	AES-ECBU	A	Page 28 of 59

ASTRONICS ECBU CABLE CONNECTORS

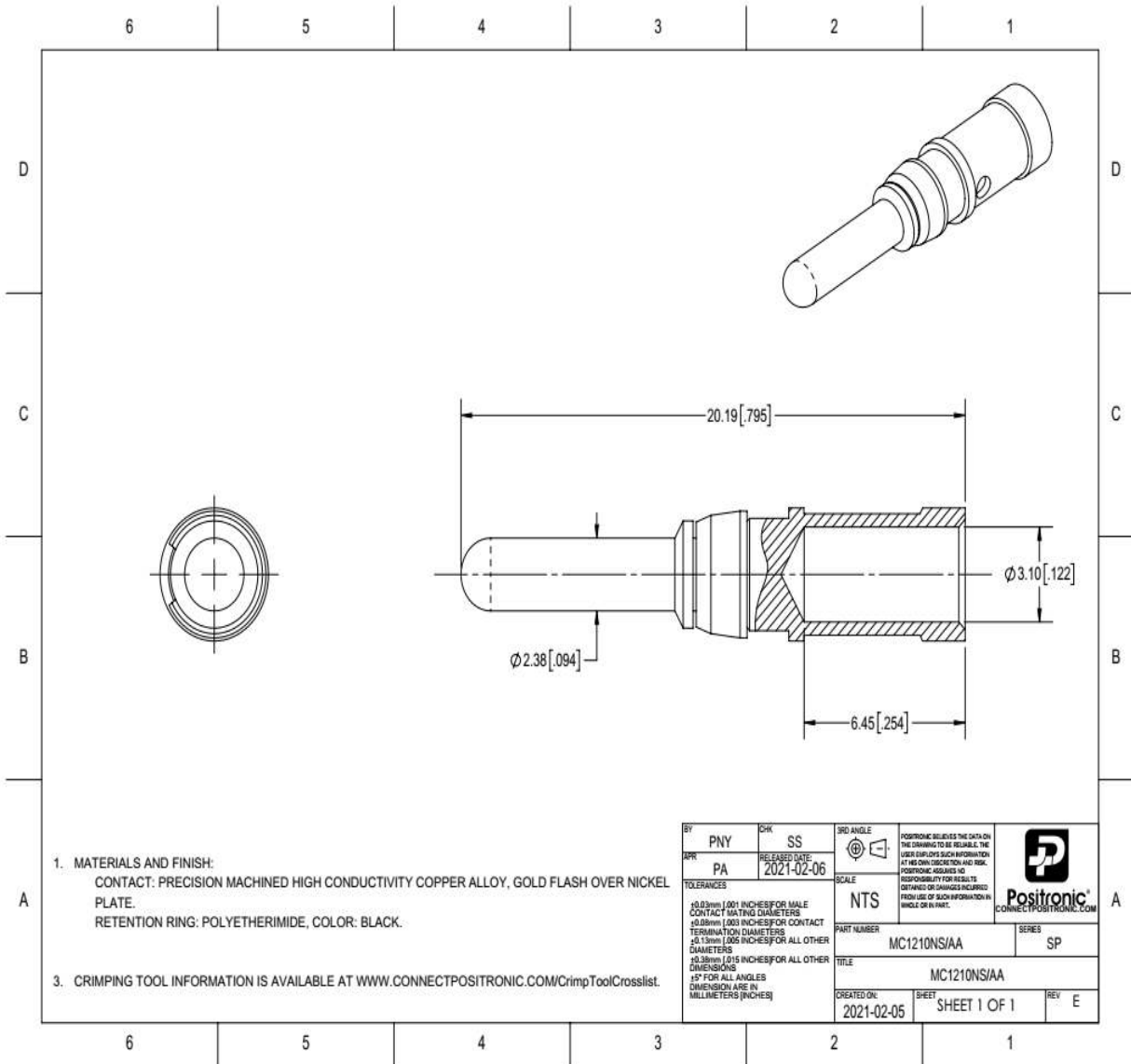
USER GUIDE



 <small>an Amphenol company</small>	DOCUMENT NUMBER	REVISION	PAGE NUMBER
	AES-ECBU	A	Page 29 of 59

ASTRONICS ECBU CABLE CONNECTORS

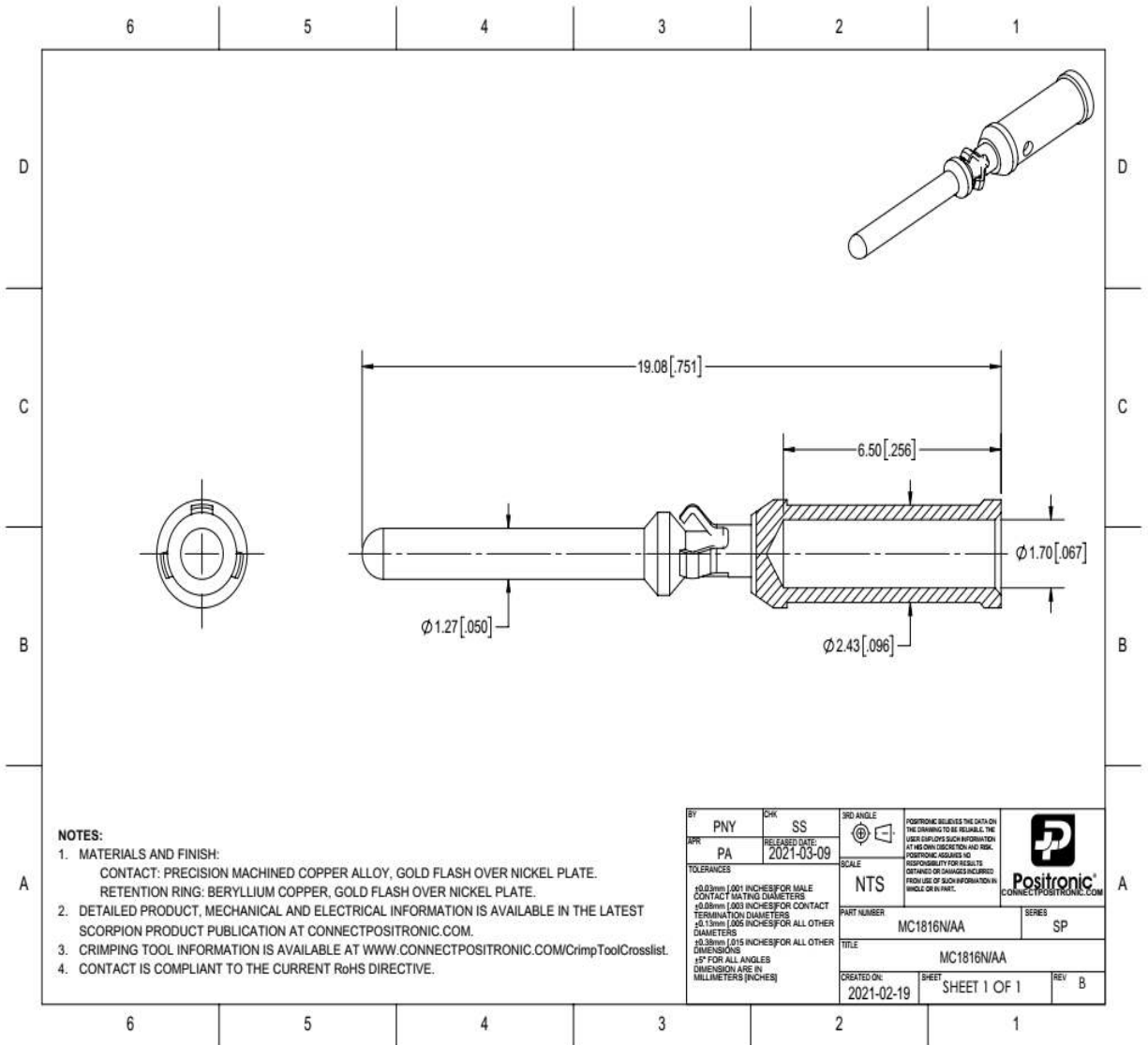
USER GUIDE




	DOCUMENT NUMBER	REVISION	PAGE NUMBER
	AES-ECBU	A	Page 30 of 59

ASTRONICS ECBU CABLE CONNECTORS

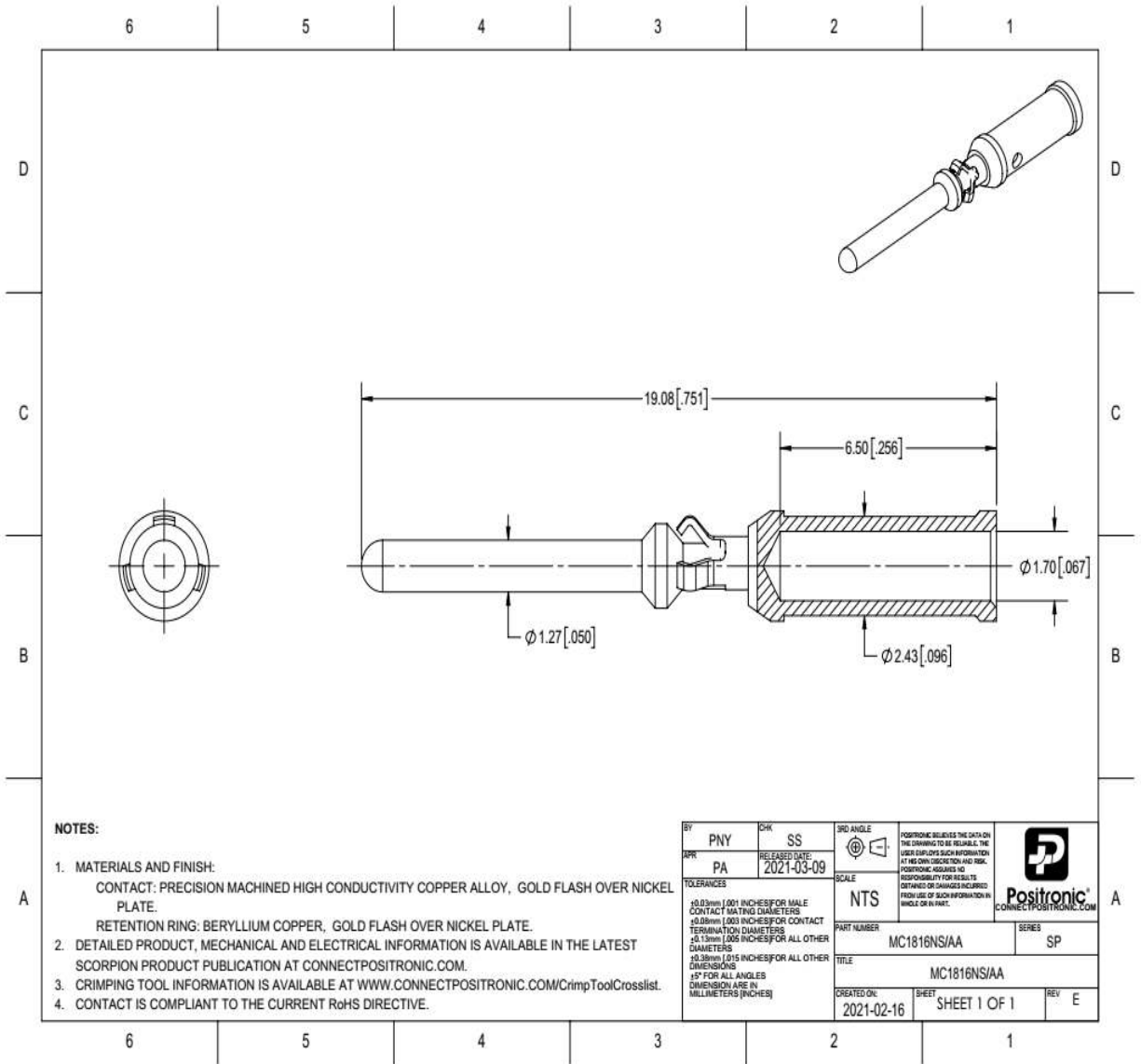
USER GUIDE



 Positronic <small>an Amphenol company</small>	DOCUMENT NUMBER	REVISION	PAGE NUMBER
	AES-ECBU	A	Page 31 of 59

ASTRONICS ECBU CABLE CONNECTORS

USER GUIDE



	DOCUMENT NUMBER	REVISION	PAGE NUMBER
	AES-ECBU	A	Page 32 of 59

ASTRONICS ECBU CABLE CONNECTORS

USER GUIDE

THE DRAWING CONTAINS INFORMATION PROPRIETARY TO POSITRONIC AND ITS SUBSIDIARIES. POSITRONIC RELEASES THE DATA ON THIS DRAWING TO BE RELIABLE SINCE THE TECHNICAL INFORMATION IS GIVEN FREE OF CHARGE, THE USER ASSUMES ALL RESPONSIBILITY FOR THE USE OF THE INFORMATION AND ASSUMES ALL LIABILITY FOR ANY DAMAGE TO PERSONS OR PROPERTY ARISING FROM THE USE OF SUCH INFORMATION IN WHOLE OR IN PART.

7.62 [0.300] NOMINAL

10.41 [0.410] NOMINAL

R7.84 [R0.312]

R4.32 [R0.170]

2X GROUNDING SCREWS 4-40 UNC

2X 3.63 [0.143] HEX SOCKET

2X JACKSCREWS 8-32 UNC-2A

46.55 [1.833]

79.72 [3.139]

72.62 [2.859]

21.38 [0.841]

14.60 [0.575]

7.30 [0.287]

LASER MARK COVER WITH "A1P2" IN APPROXIMATE LOCATION SHOWN. LETTERING TO BE 6.35x1.27 [0.250x0.050] HIGH USING LASER FONT ARRIGD10 FOR INCREASED LINE THICKNESS

SK18444-1-2K1					
DATE	REV	REVISION RECORD	APP	DR	CK
9-12-17	A	ECO 56634	COLE	COLE	COLE
10-30-17	B	ECO 55970	COLE	COLE	COLE

KIT 1 PIECE FC0404NS/AA-14-1882.35 (INCLUDES 1 PIECE A4318-2-1-51)

KIT 4 PIECES FC114P2/AA-P4907

KIT 3 PIECES FC1816P2/AA

KIT 28 PIECES FC422P9/AA

NOTES:

1. MATERIALS AND FINISHES:
 INSULATOR: GLASS FILLED LIQUID CRYSTAL POLYMER, COLOR: BLACK.
 FC0404NS/AA-14-1882.35 CONTACT AND CROWN BAND: HIGH CONDUCTIVITY COPPER ALLOY, 0.000030" [0.76] GOLD OVER NICKEL PLATE.
 FC114P2/AA-P4907 CONTACTS: STANDARD CONDUCTIVITY COPPER ALLOY, GOLD FLASH OVER NICKEL PLATE.
 FC1816P2/AA CONTACTS: STANDARD CONDUCTIVITY COPPER ALLOY, GOLD FLASH OVER NICKEL PLATE.
 FC422P9/AA CONTACTS: STANDARD CONDUCTIVITY COPPER ALLOY, GOLD FLASH OVER NICKEL PLATE.
 HOOD AND CABLE CLAMPS: ALUMINUM, YELLOW CHROMATE CONVERSION FINISH PER MIL-DTL-5541 TYPE II, CLASS 3.
 JACKSCREWS: STAINLESS STEEL, PASSIVATED.
 SCREWS: STEEL, NICKEL PLATE.
2. DETAILED PRODUCT, MECHANICAL AND ELECTRICAL INFORMATION IS AVAILABLE IN THE LATEST SCORPION PRODUCT PUBLICATION AT CONNECTPOSITRONIC.COM.
3. CONNECTOR TO HAVE SPECIAL INSULATOR END MODULES. SPECIAL MATERIAL FOR INSULATOR TO BE LCP, BLACK COLOR. SPECIAL MACHINED ALUMINUM HOOD AND COVER WITH SPECIAL CAPTIVE JACKSCREWS. LASER MARK INSULATOR WITH: P4H SK18444-1-2 DATECODE. LASER MARK HOOD COVER WITH: A1P2. ALL SCREWS AND JACKSCREWS TO BE SUPPLIED WITH NYLON BLUE PATCH APPLIED TO THREADS.
4. CONTACT HOLE IDENTIFICATION NUMBERS ARE SHOWN FOR REFERENCE ONLY AND WILL NOT BE PRESENT ON CONNECTOR.
5. DIMENSIONS ARE IN MILLIMETERS [INCHES].

 POSITRONIC <small>an Amphenol company</small>	DOCUMENT NUMBER	REVISION	PAGE NUMBER
	AES-ECBU	A	Page 33 of 59

 Positronic <small>an Amphenol company</small>	DOCUMENT NUMBER	REVISION	PAGE NUMBER
	AES-ECBU	A	Page 33 of 59

ASTRONICS ECBU CABLE CONNECTORS

USER GUIDE

THIS DRAWING CONTAINS INFORMATION PROPRIETARY TO POSITRONIC INDUSTRIES INC. POSITRONIC RELEASES THE DATA ON THIS DRAWING TO BE RELIABLE SINCE THE TECHNICAL INFORMATION IS GIVEN FREE OF CHARGE. THE USER EMPLOYER ASSUMES ALL RESPONSIBILITY FOR RESULTS OBTAINED OR DAMAGES INCURRED FROM USE OF SUCH INFORMATION IN WHOLE OR IN PART.

2X GROUNDING SCREWS 4-40 UNC
2X 3.65 [0.143] HEX SOCKET
2X JACKSCREWS 8-32 UNC-24

LASER MARK COVER WITH "A2P2" IN APPROXIMATE LOCATION SHOWN. LETTERING TO BE 6.35±1.27 [0.250±0.050] HIGH USING LASER FONT ARRIGD10 FOR INCREASED LINE THICKNESS

DATE		REVISION RECORD		APP	DR	CK
11-14	A	ECO	57657	COLE	COLE	COLE

SK18444-2-2K1

KIT 1 PIECE FC0404NCS/AA-14-1882.35 (INCLUDES 1 PIECE AA318-2-1-51)

KIT 4 PIECES FC114P2/AA-P4907

KIT 3 PIECES FC1818P2/AA

KIT 28 PIECES FC422P9/AA

NOTES:

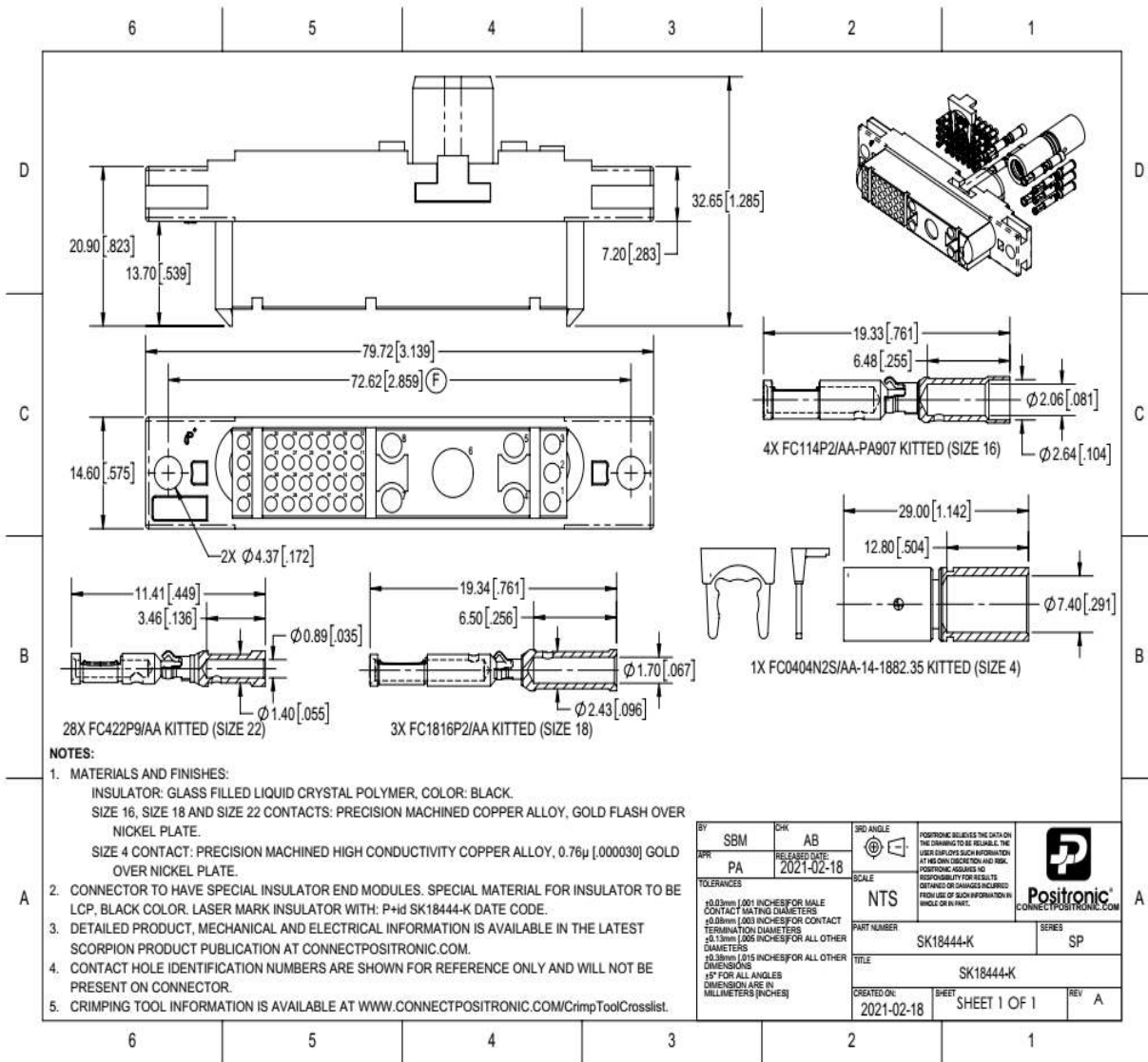
1. MATERIALS AND FINISHES:
INSULATOR: GLASS FILLED LIQUID CRYSTAL POLYMER, COLOR: BLACK.
FC0404NCS/AA-14-1882.35 CONTACT AND CROWN BAND: HIGH CONDUCTIVITY COPPER ALLOY, 0.000030" [0.76µ] GOLD OVER NICKEL PLATE.
FC114P2/AA-P4907 CONTACTS: STANDARD CONDUCTIVITY COPPER ALLOY, GOLD FLASH OVER NICKEL PLATE.
FC1818P2/AA CONTACTS: STANDARD CONDUCTIVITY COPPER ALLOY, GOLD FLASH OVER NICKEL PLATE.
FC422P9/AA CONTACTS: STANDARD CONDUCTIVITY COPPER ALLOY, GOLD FLASH OVER NICKEL PLATE.
HOOD AND CABLE CLAMPS: ALUMINUM, YELLOW CHROMATE CONVERSION FINISH PER MIL-010-5541 TYPE III, CLASS 3.
JACKSCREWS: STAINLESS STEEL, PASSEANATED.
SCREWS: STEEL, NICKEL PLATE.
2. DETAILED PRODUCT, MECHANICAL AND ELECTRICAL INFORMATION IS AVAILABLE IN THE LATEST SCORPION PRODUCT PUBLICATION AT CONNECTPOSITRONIC.COM.
3. CONNECTOR TO HAVE SPECIAL INSULATOR END MODULES. SPECIAL MATERIAL FOR INSULATOR TO BE LOP, BLACK COLOR. SPECIAL MACHINED ALUMINUM HOOD AND COVER WITH SPECIAL CAPTIVE JACKSCREWS. LASER MARK INSULATOR MTR: P416 SK18444-2-2 DATECODE: LASER MARK HOOD COVER WITH: A2P2. ALL SCREWS AND JACKSCREWS TO BE SUPPLIED WITH NYLON BLUE PATCH APPLIED TO THREADS.
4. CONTACT HOLE IDENTIFICATION NUMBERS ARE SHOWN FOR REFERENCE ONLY AND WILL NOT BE PRESENT ON CONNECTOR.
5. DIMENSIONS ARE IN MILLIMETERS [INCHES].

	POSITRONIC INDUSTRIES INC. www.connectpositronic.com	FSCM 28108
DECIMAL TOL. ±0.30 [0.012]	SCORPION SERIES SPECIAL	SCALE N.T.S.
ANGULAR TOL. ±3°	DATE 11-14-17	DRAWN BY COLE APPROVED BY COLE
TITLE SP FEMALE CONNECTOR WITH CONTACTS		DRAWING NUMBER SK18444-2-2K1
		REV. A

 Positronic <small>an Amphenol company</small>	DOCUMENT NUMBER	REVISION	PAGE NUMBER
	AES-ECBU	A	Page 34 of 59

ASTRONICS ECBU CABLE CONNECTORS

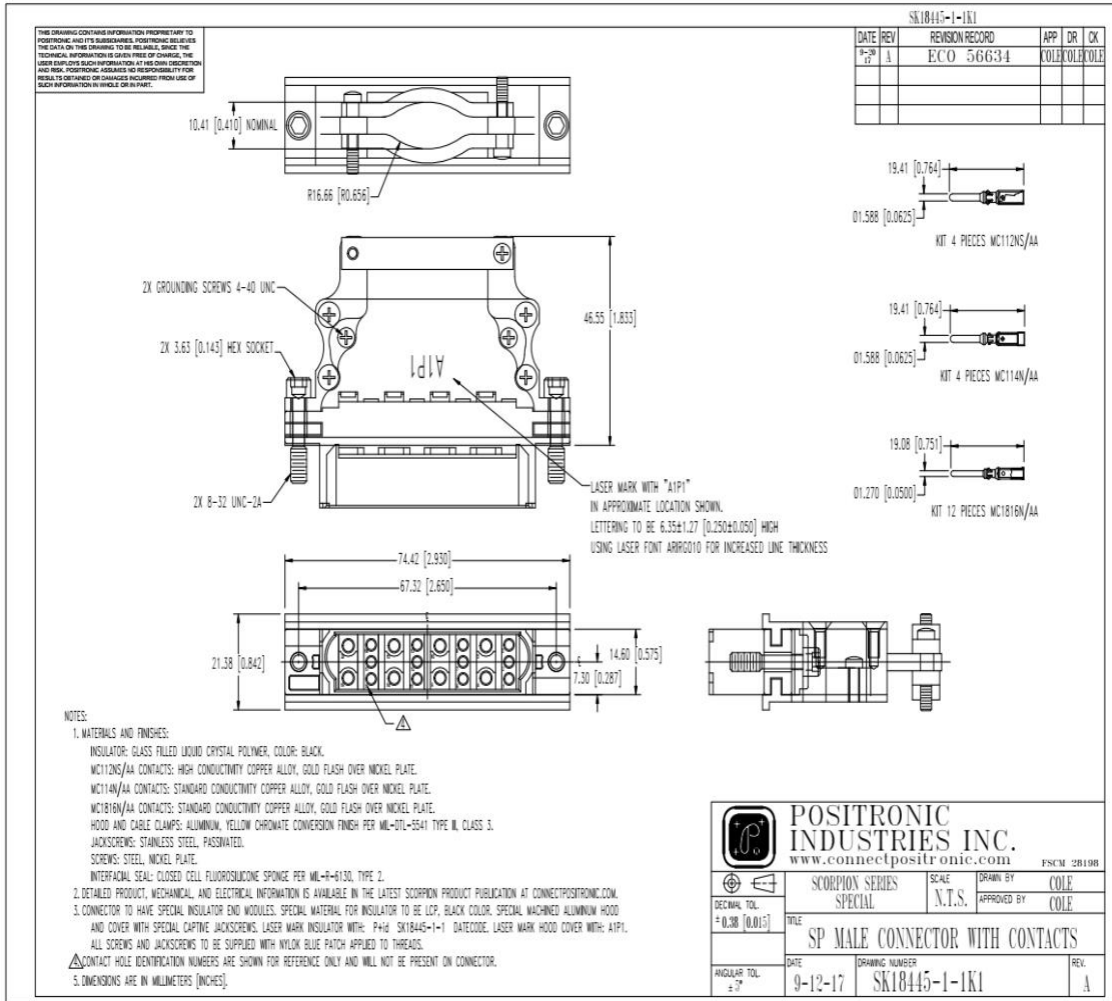
USER GUIDE




	DOCUMENT NUMBER	REVISION	PAGE NUMBER
	AES-ECBU	A	Page 35 of 59

ASTRONICS ECBU CABLE CONNECTORS

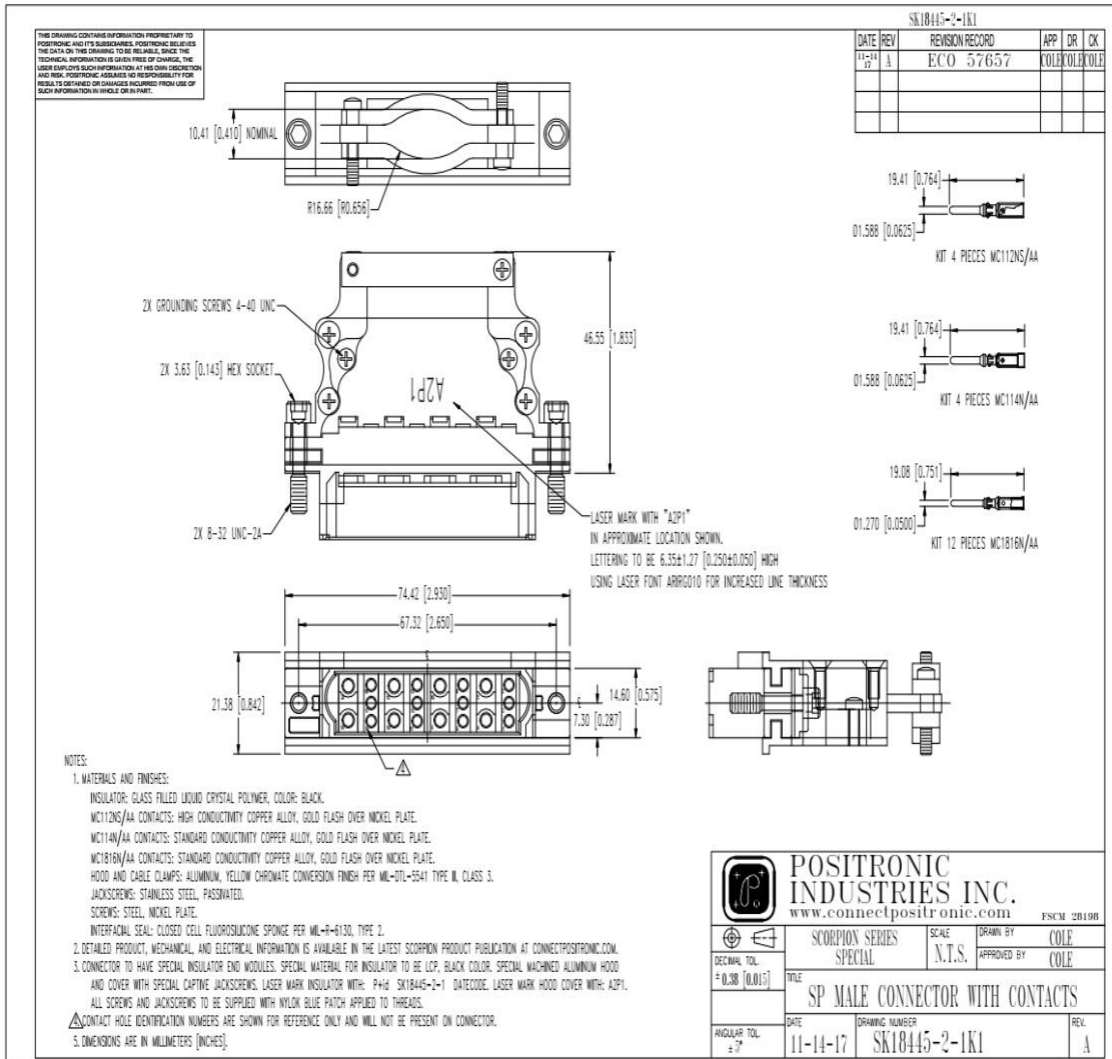
USER GUIDE




	DOCUMENT NUMBER	REVISION	PAGE NUMBER
	AES-ECBU	A	Page 36 of 59

ASTRONICS ECBU CABLE CONNECTORS

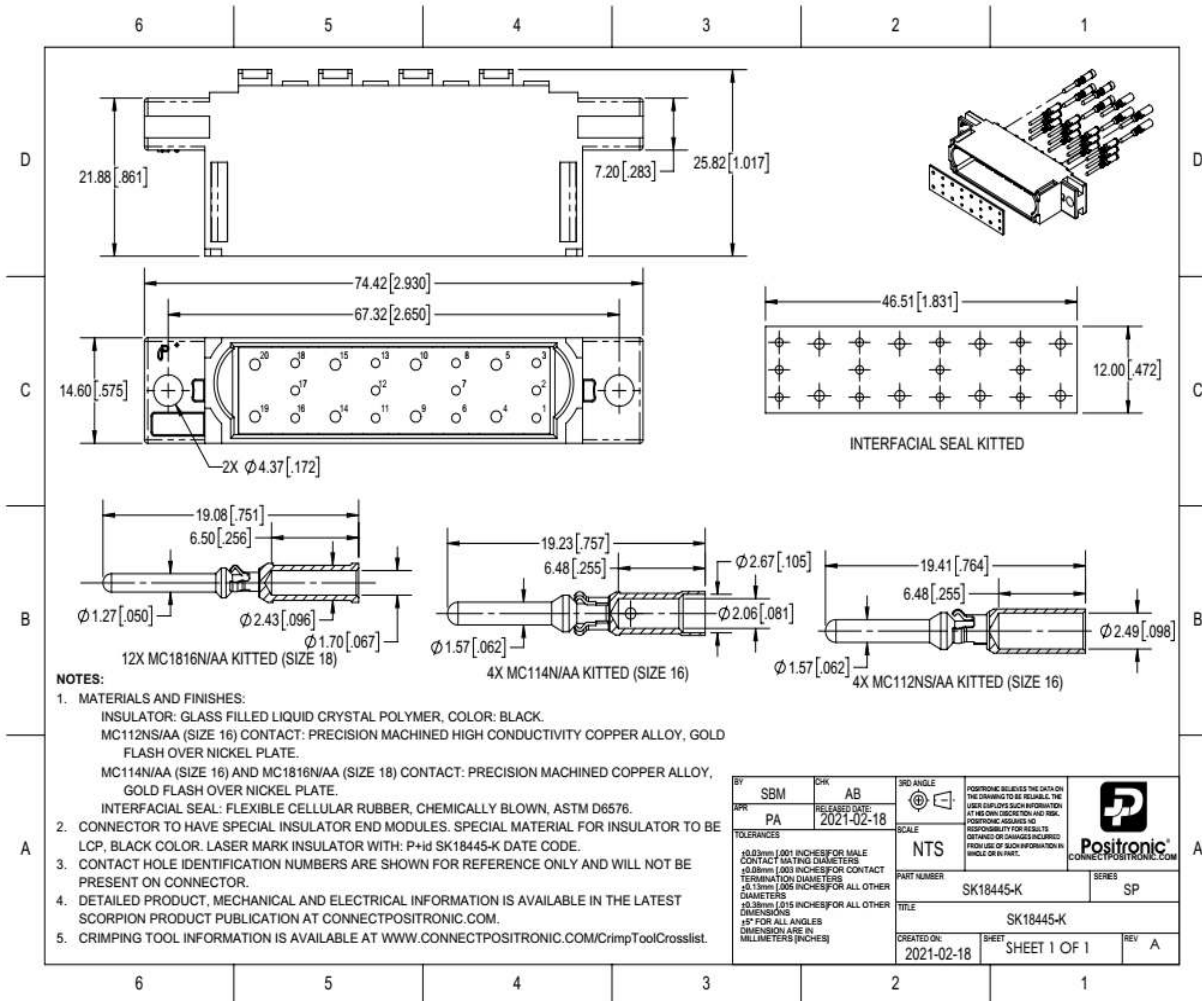
USER GUIDE



	DOCUMENT NUMBER	REVISION	PAGE NUMBER
	AES-ECBU	A	Page 37 of 59

ASTRONICS ECBU CABLE CONNECTORS

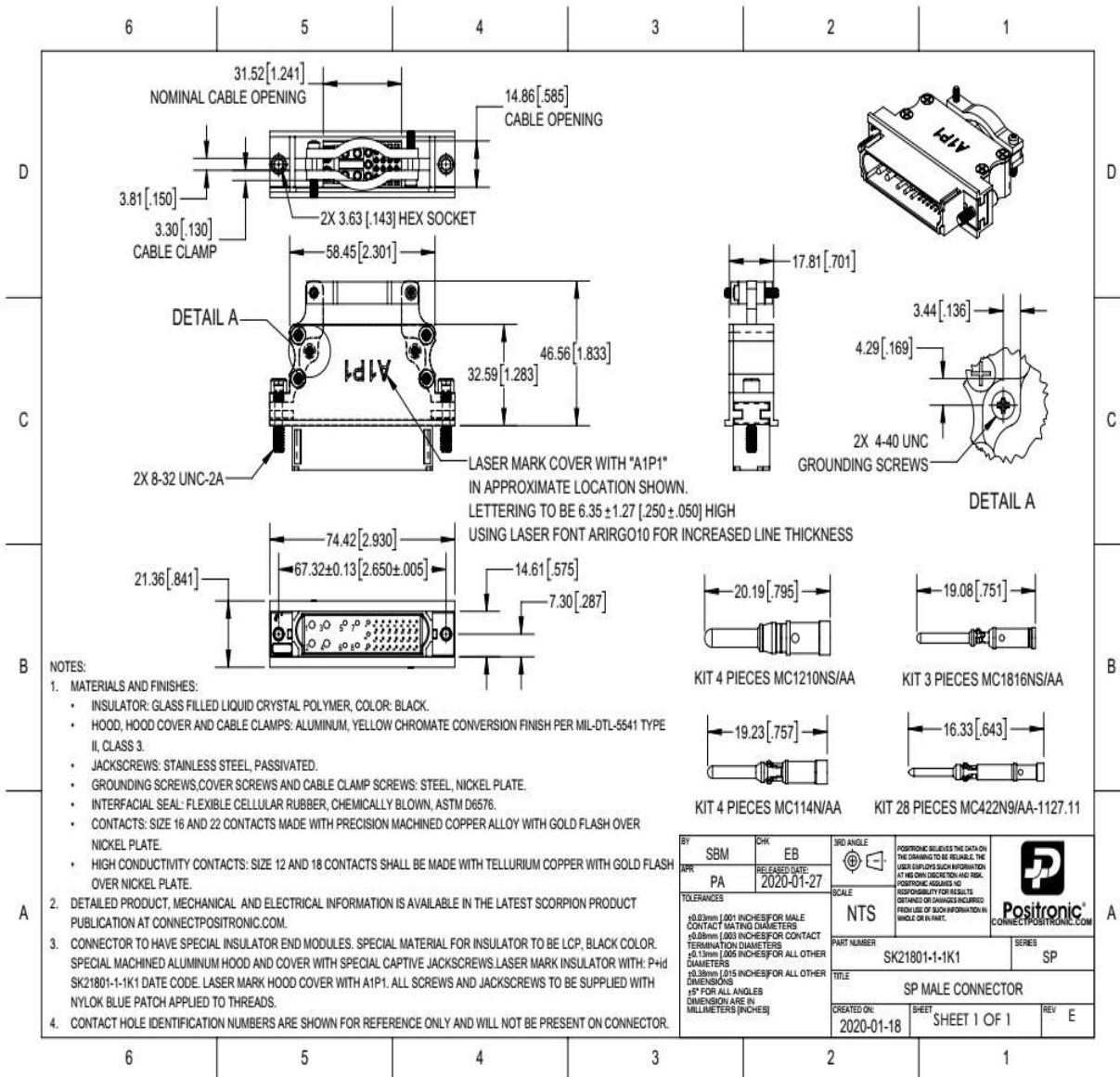
USER GUIDE



 Positronic an Amphenol company	DOCUMENT NUMBER	REVISION	PAGE NUMBER
	AES-ECBU	A	Page 38 of 59

ASTRONICS ECBU CABLE CONNECTORS

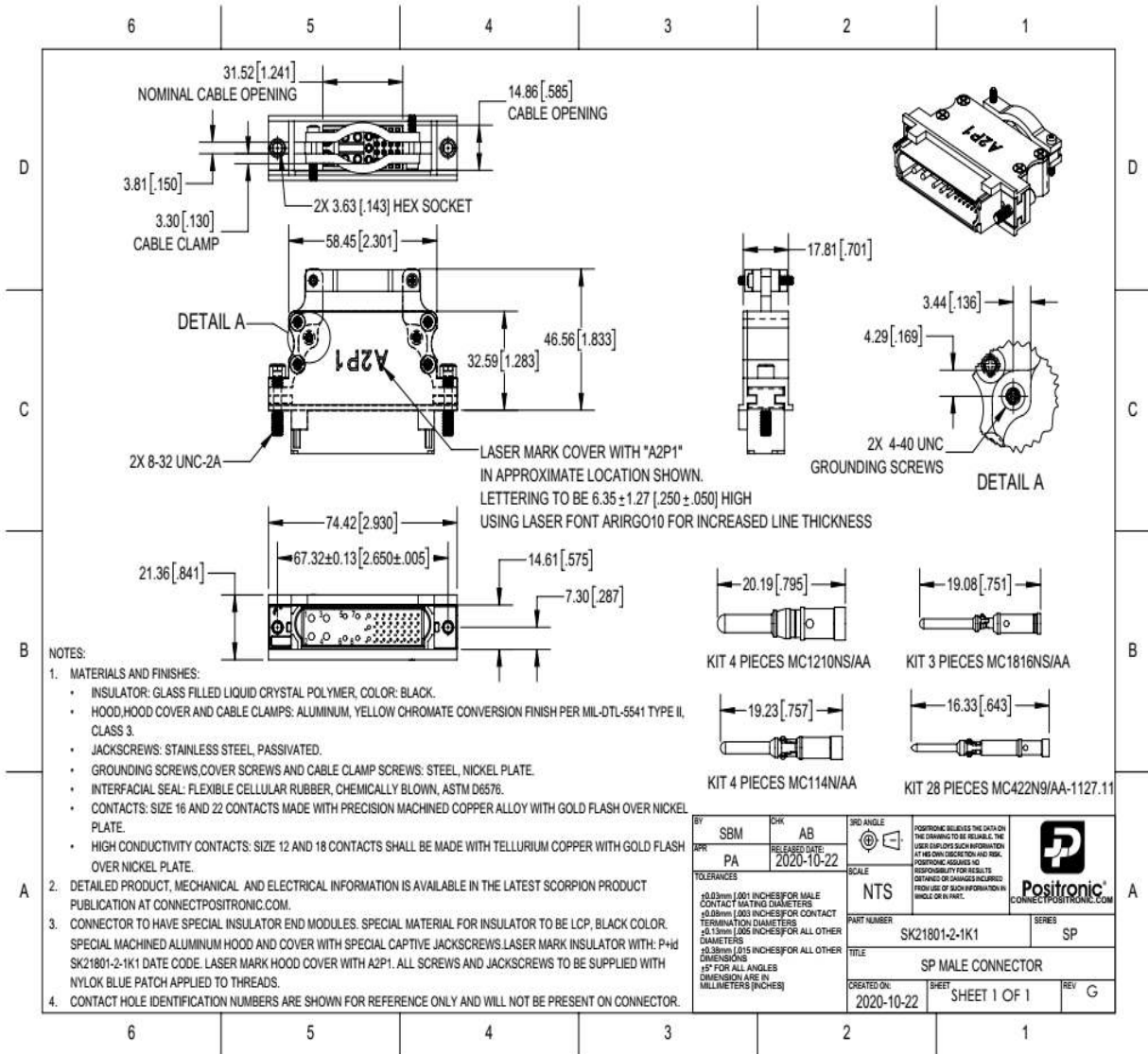
USER GUIDE




	DOCUMENT NUMBER	REVISION	PAGE NUMBER
	AES-ECBU	A	Page 39 of 59

ASTRONICS ECBU CABLE CONNECTORS

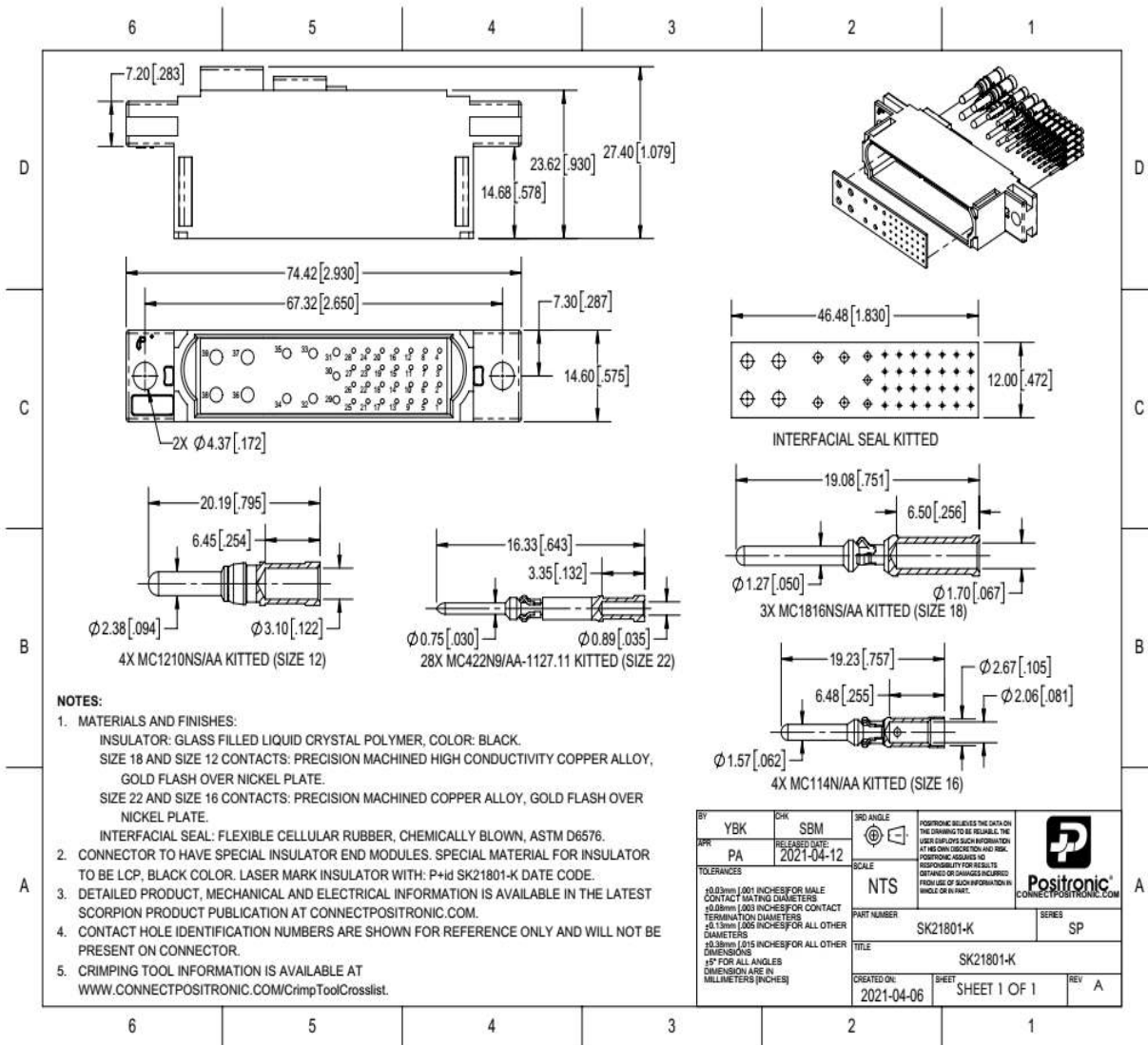
USER GUIDE



	DOCUMENT NUMBER	REVISION	PAGE NUMBER
	AES-ECBU	A	Page 40 of 59

ASTRONICS ECBU CABLE CONNECTORS

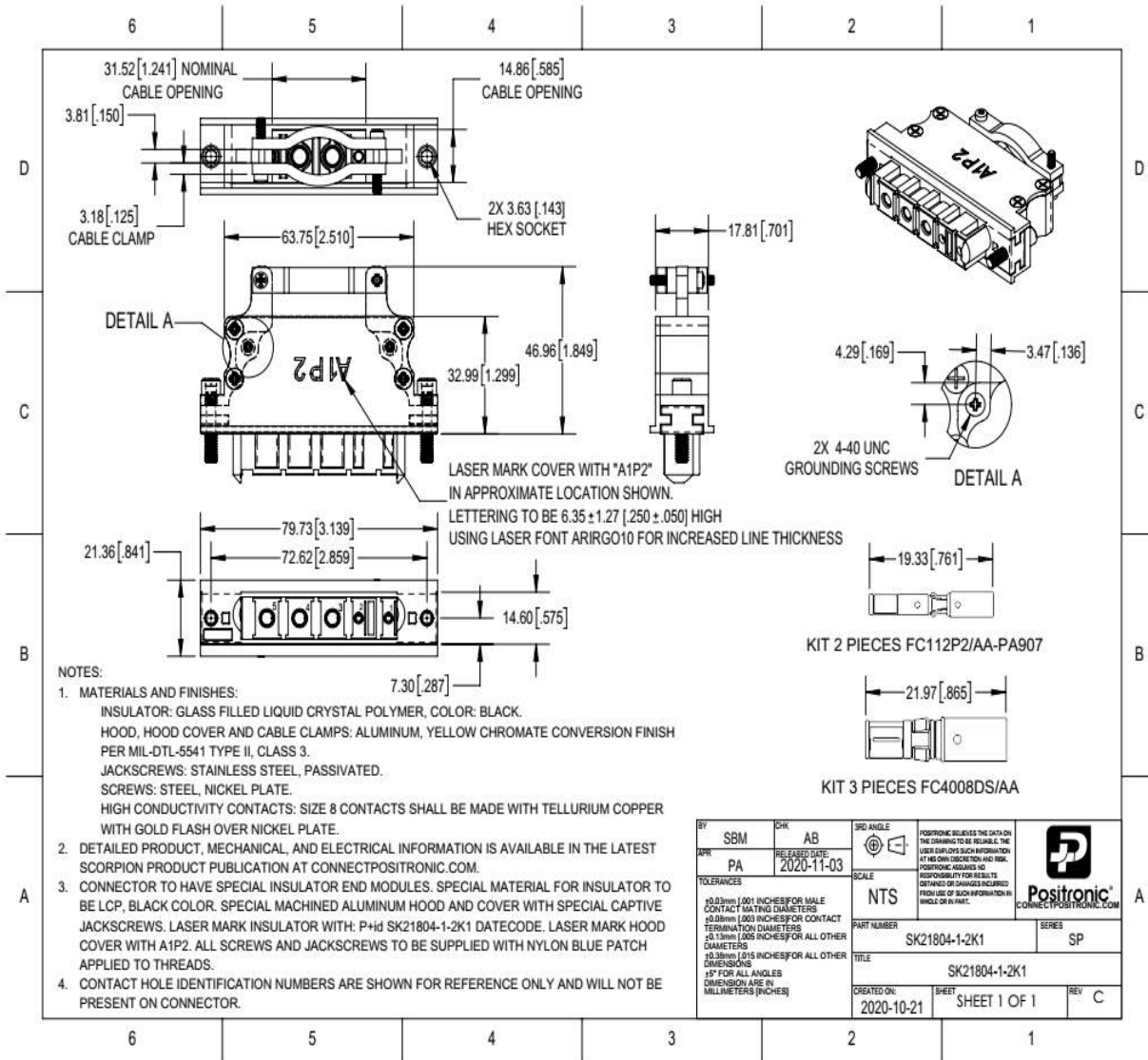
USER GUIDE




	DOCUMENT NUMBER	REVISION	PAGE NUMBER
	AES-ECBU	A	Page 41 of 59

ASTRONICS ECBU CABLE CONNECTORS

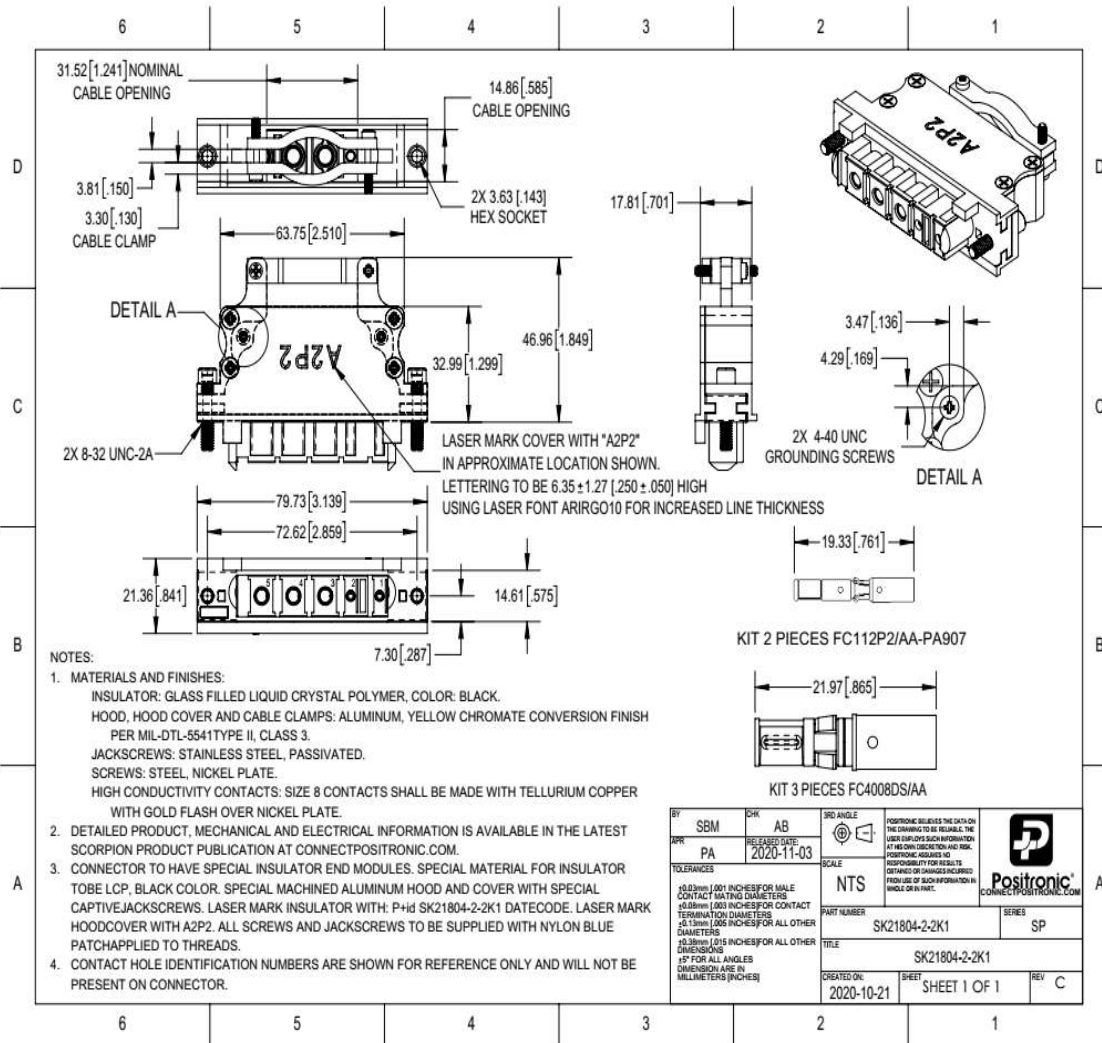
USER GUIDE




	DOCUMENT NUMBER	REVISION	PAGE NUMBER
	AES-ECBU	A	Page 42 of 59

ASTRONICS ECBU CABLE CONNECTORS

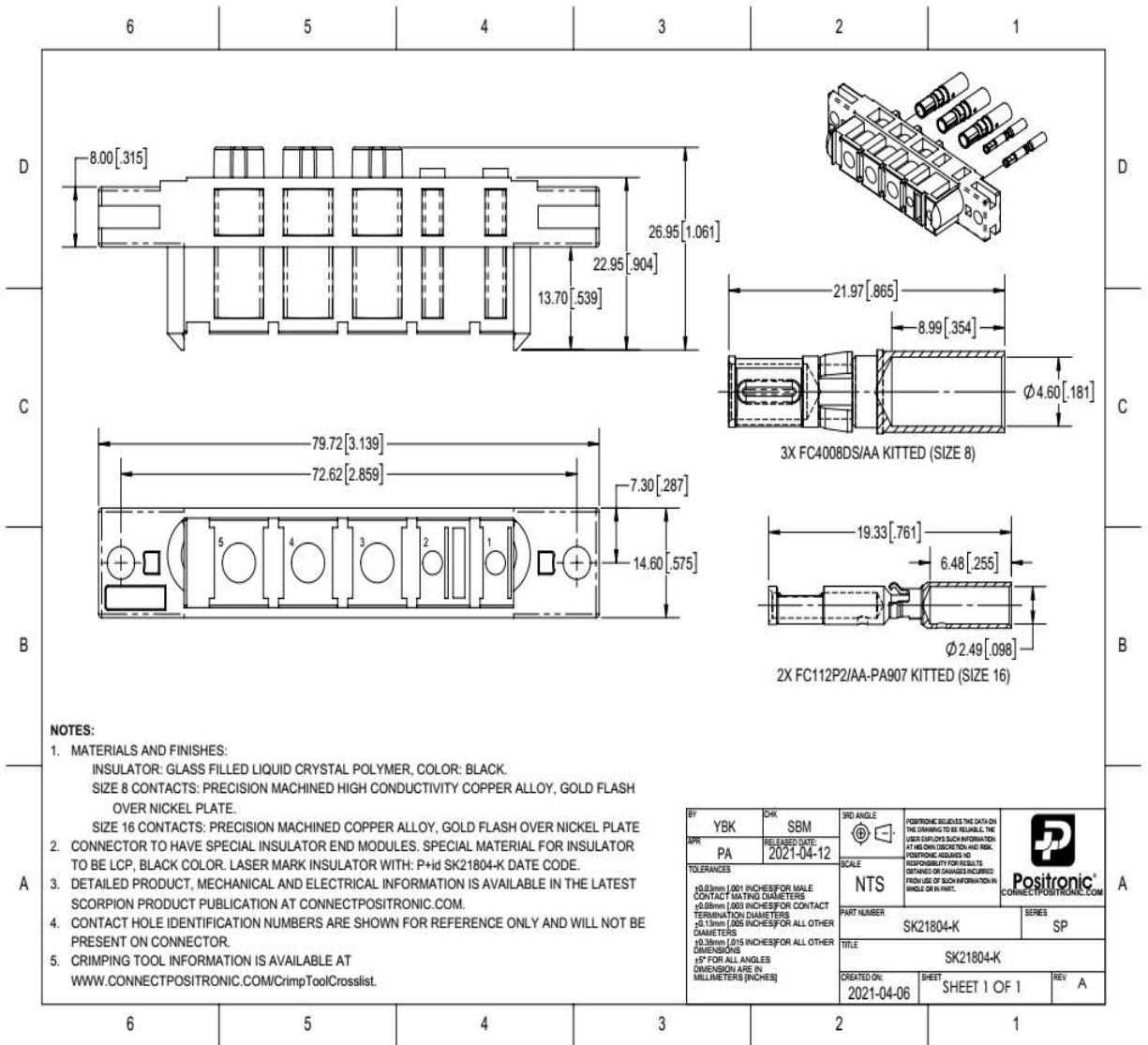
USER GUIDE




	DOCUMENT NUMBER	REVISION	PAGE NUMBER
	AES-ECBU	A	Page 43 of 59

ASTRONICS ECBU CABLE CONNECTORS

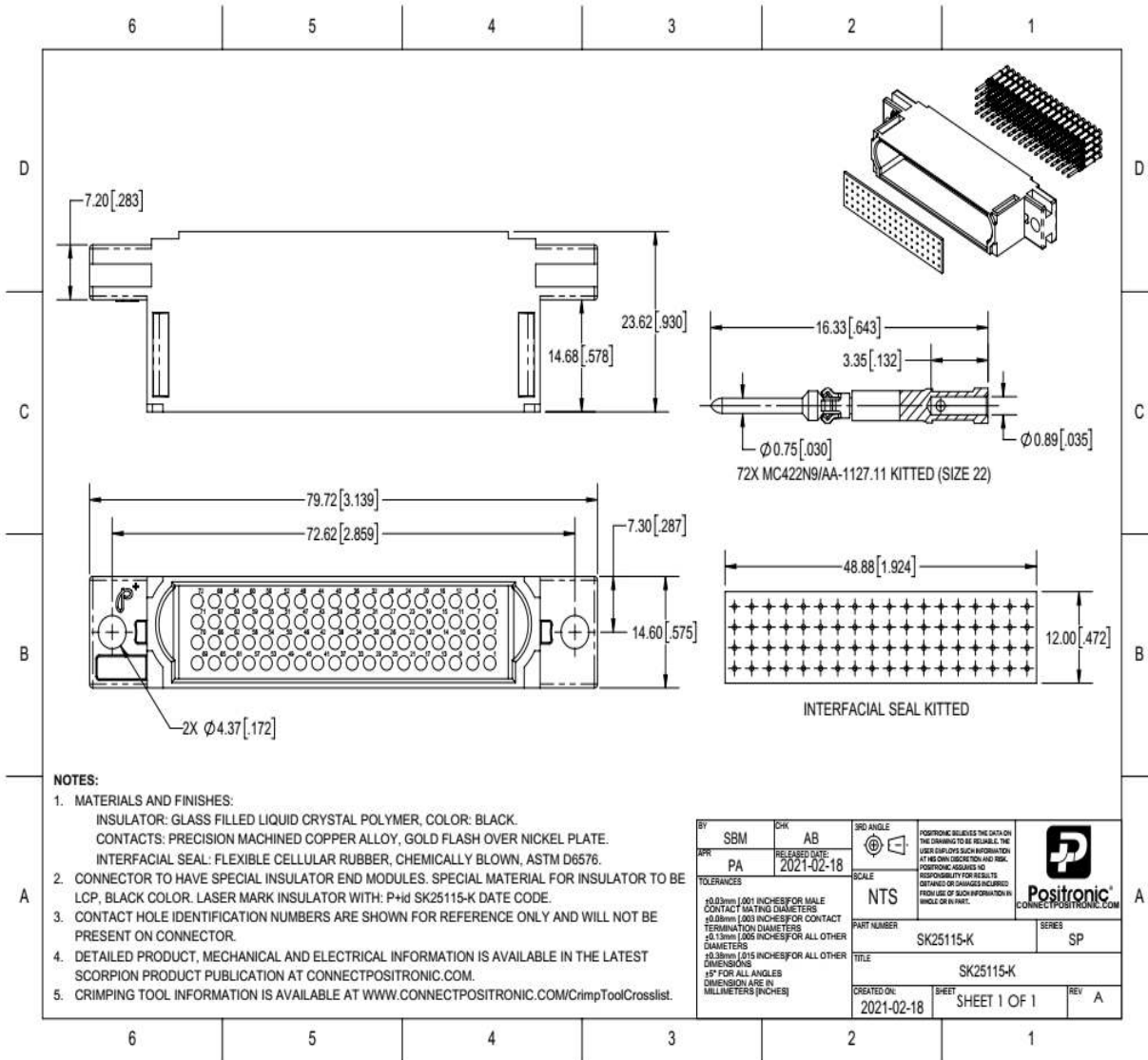
USER GUIDE




 Positronic <small>an Amphenol company</small>	DOCUMENT NUMBER	REVISION	PAGE NUMBER
	AES-ECBU	A	Page 44 of 59

ASTRONICS ECBU CABLE CONNECTORS

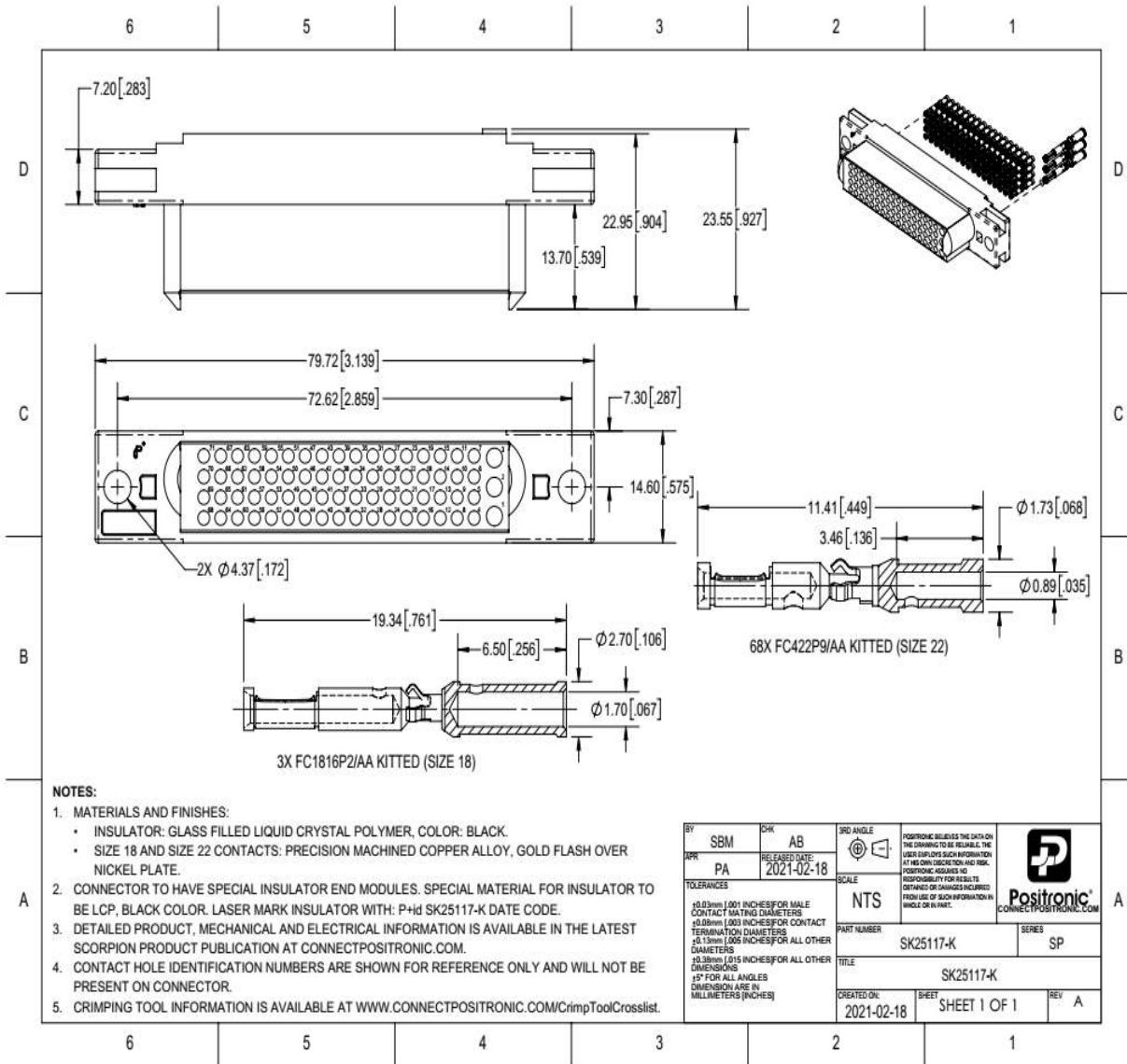
USER GUIDE




	DOCUMENT NUMBER	REVISION	PAGE NUMBER
	AES-ECBU	A	Page 45 of 59

ASTRONICS ECBU CABLE CONNECTORS

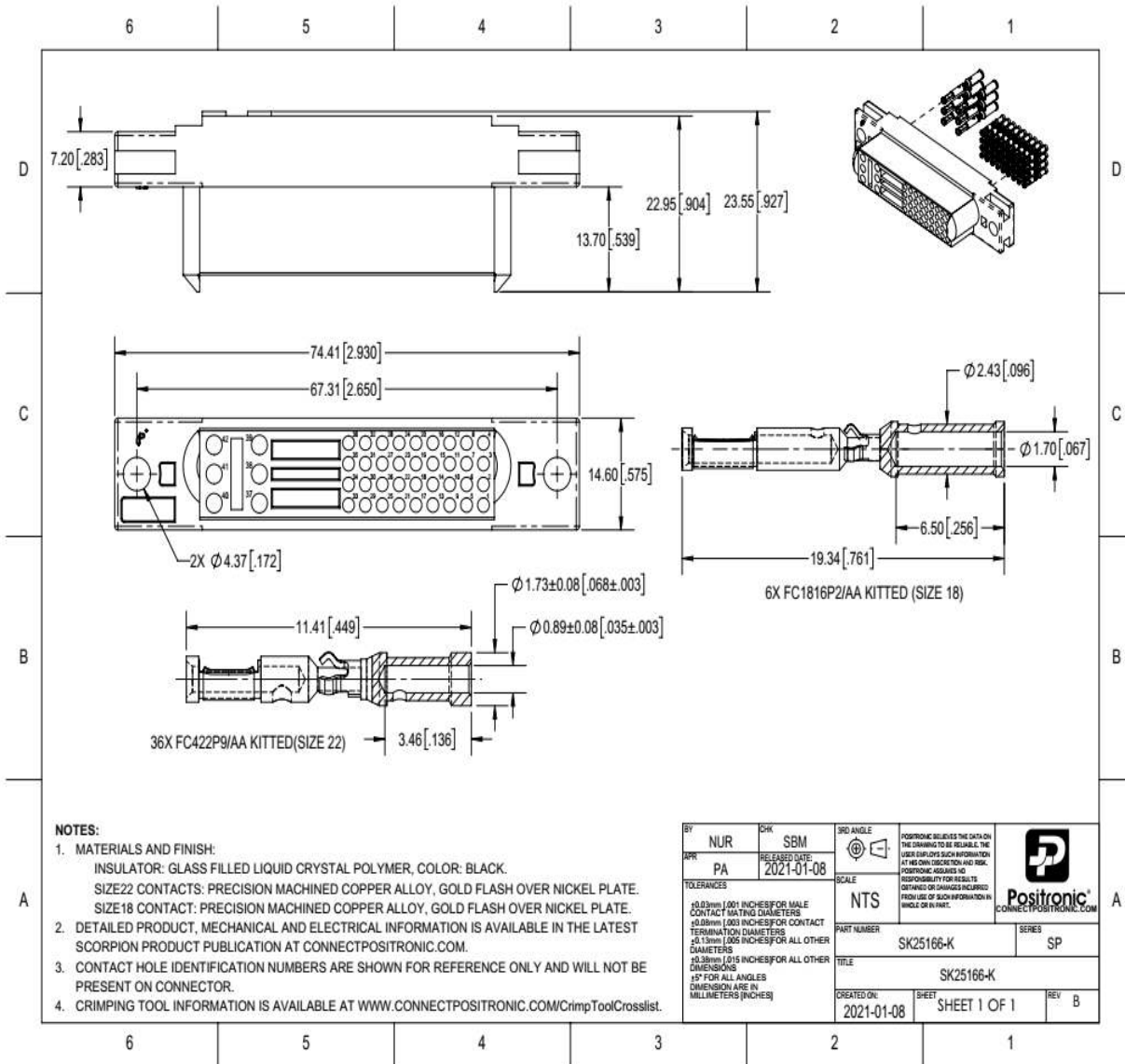
USER GUIDE




	DOCUMENT NUMBER	REVISION	PAGE NUMBER
	AES-ECBU	A	Page 46 of 59

ASTRONICS ECBU CABLE CONNECTORS

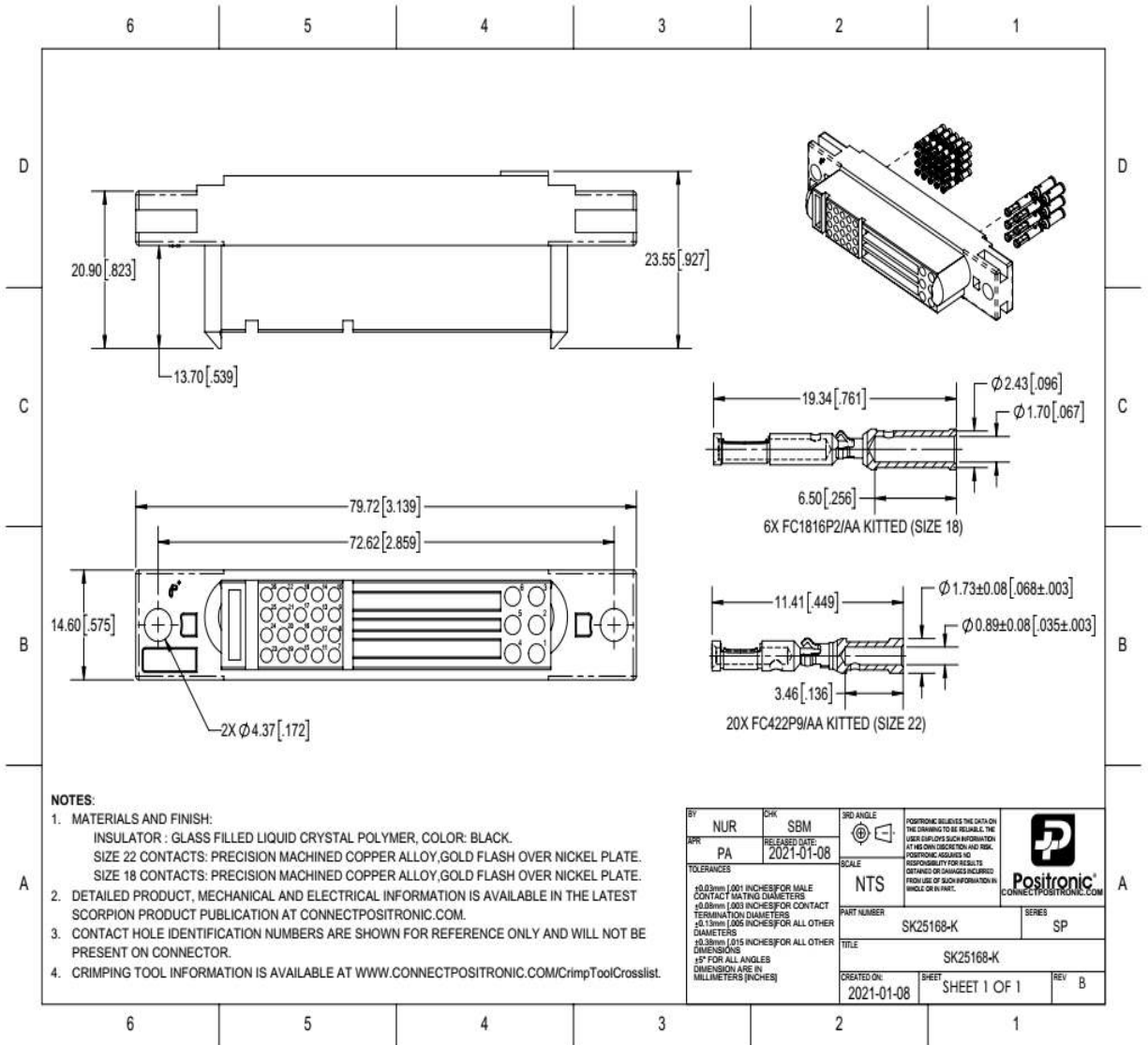
USER GUIDE



 Positronic <small>an Amphenol company</small>	DOCUMENT NUMBER	REVISION	PAGE NUMBER
	AES-ECBU	A	Page 47 of 59

ASTRONICS ECBU CABLE CONNECTORS

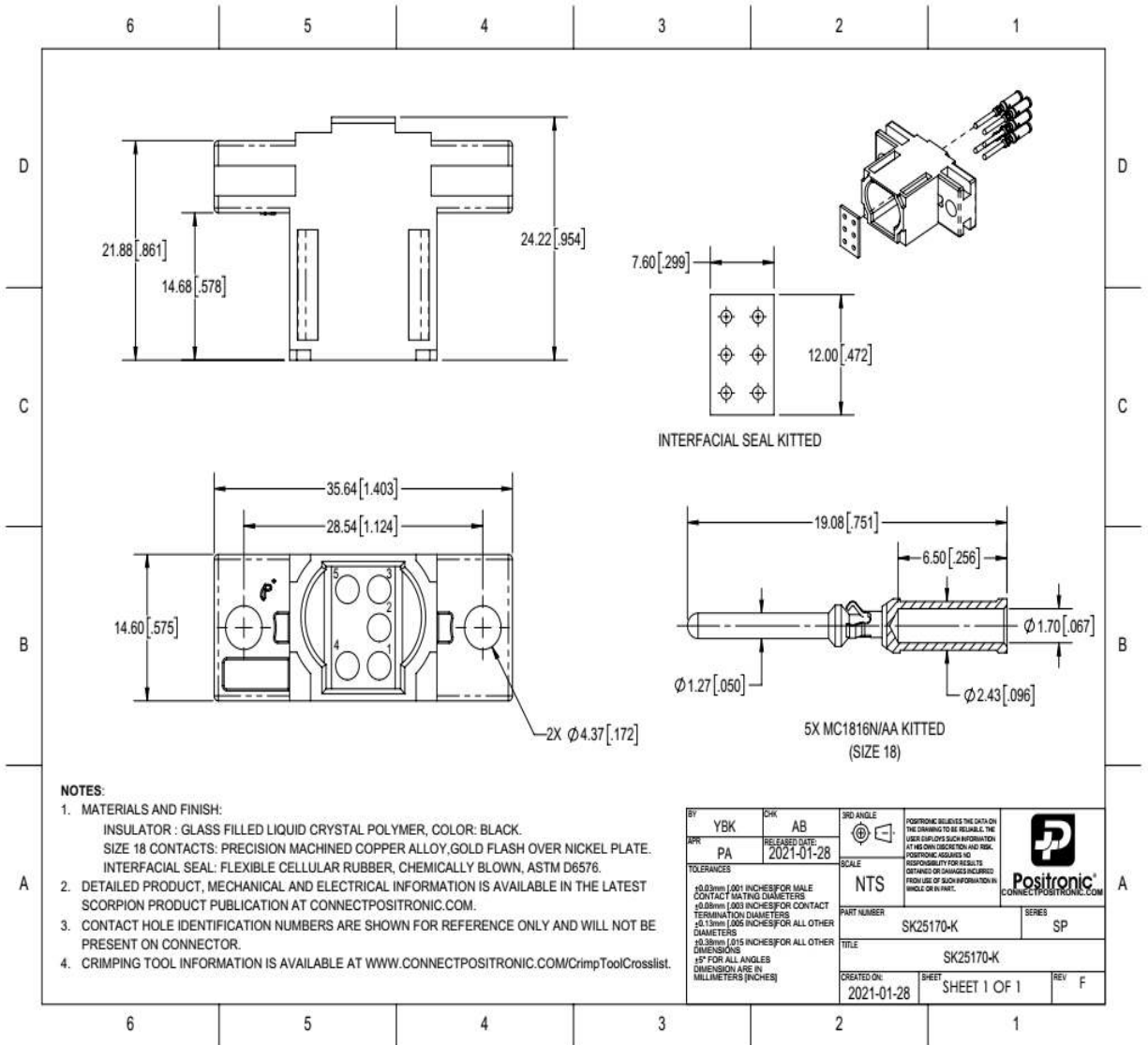
USER GUIDE



	DOCUMENT NUMBER	REVISION	PAGE NUMBER
	AES-ECBU	A	Page 48 of 59

ASTRONICS ECBU CABLE CONNECTORS

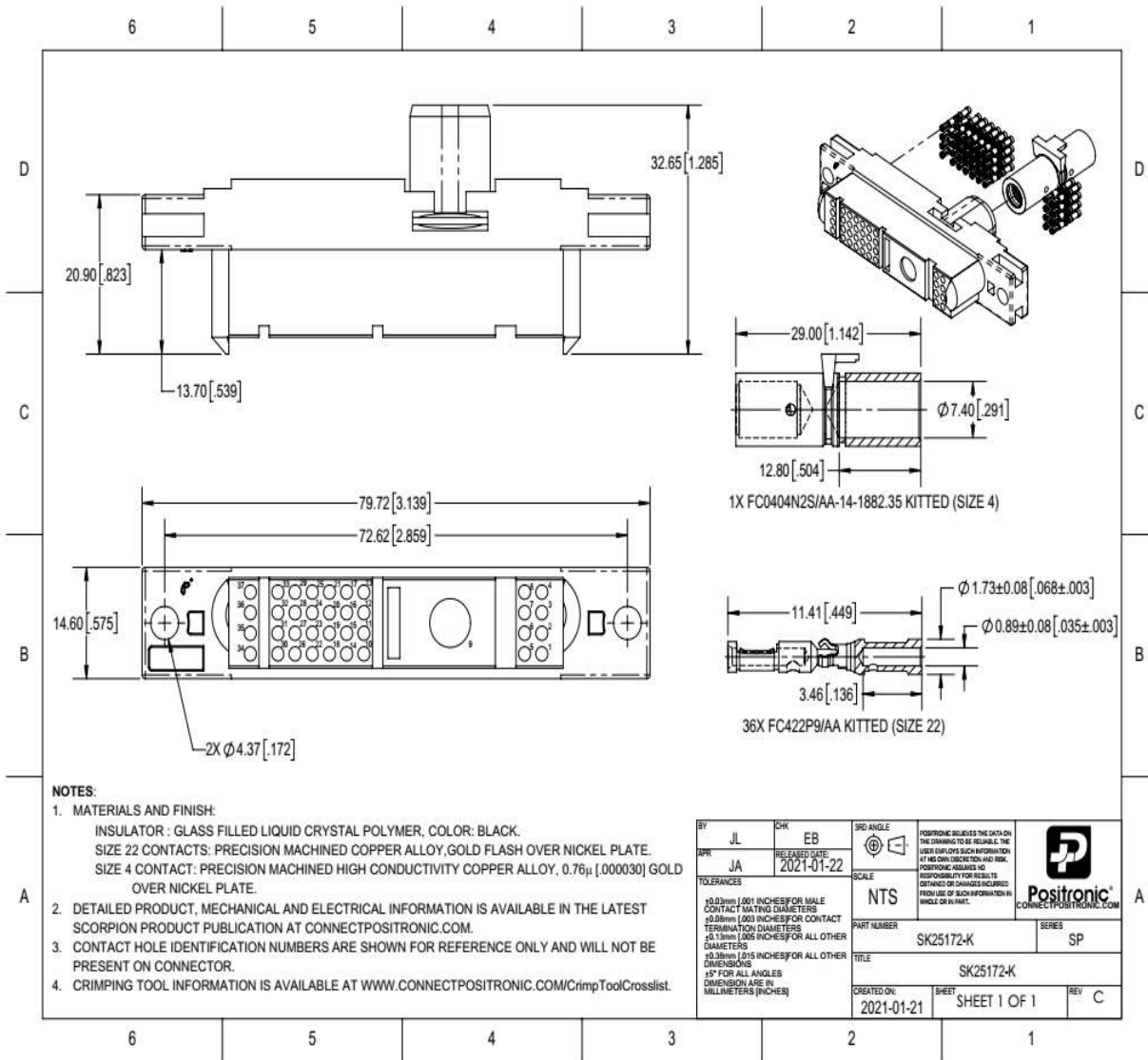
USER GUIDE




	DOCUMENT NUMBER	REVISION	PAGE NUMBER
	AES-ECBU	A	Page 49 of 59

ASTRONICS ECBU CABLE CONNECTORS

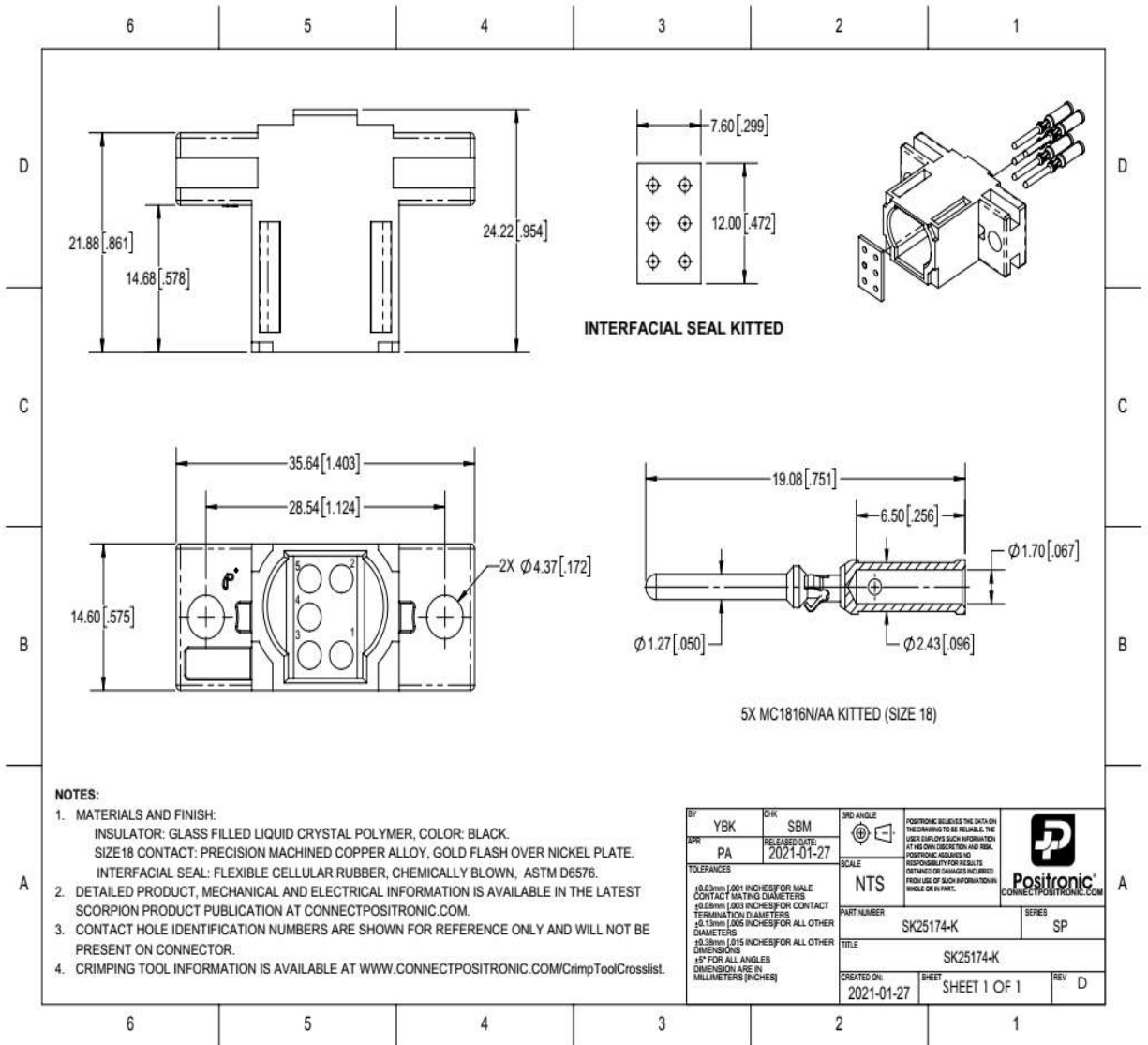
USER GUIDE



 Positronic <small>an Amphenol company</small>	DOCUMENT NUMBER	REVISION	PAGE NUMBER
	AES-ECBU	A	Page 50 of 59

ASTRONICS ECBU CABLE CONNECTORS

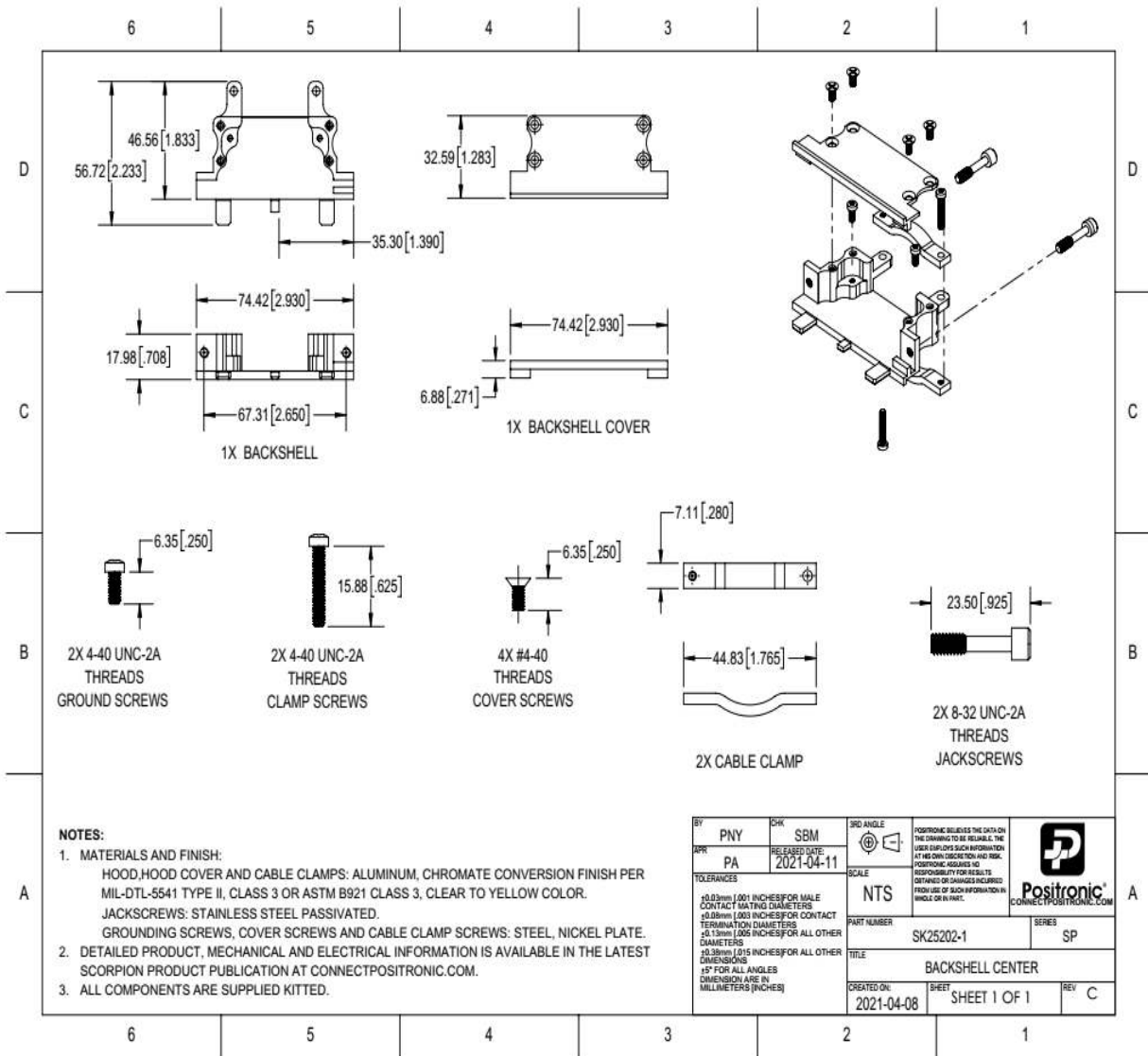
USER GUIDE



 Positronic® an Amphenol company	DOCUMENT NUMBER	REVISION	PAGE NUMBER
	AES-ECBU	A	Page 51 of 59

ASTRONICS ECBU CABLE CONNECTORS

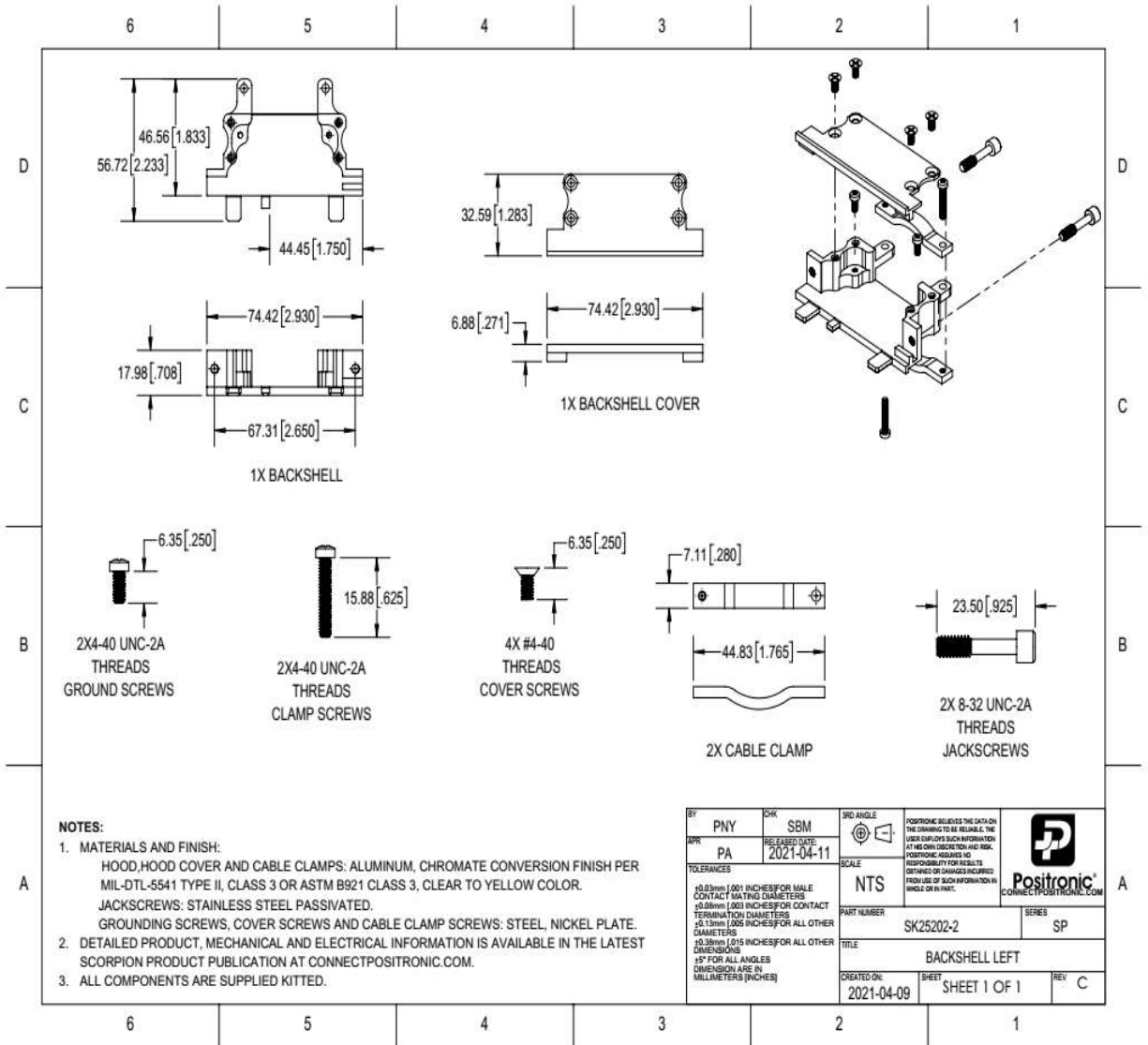
USER GUIDE



	DOCUMENT NUMBER	REVISION	PAGE NUMBER
	AES-ECBU	A	Page 52 of 59

ASTRONICS ECBU CABLE CONNECTORS

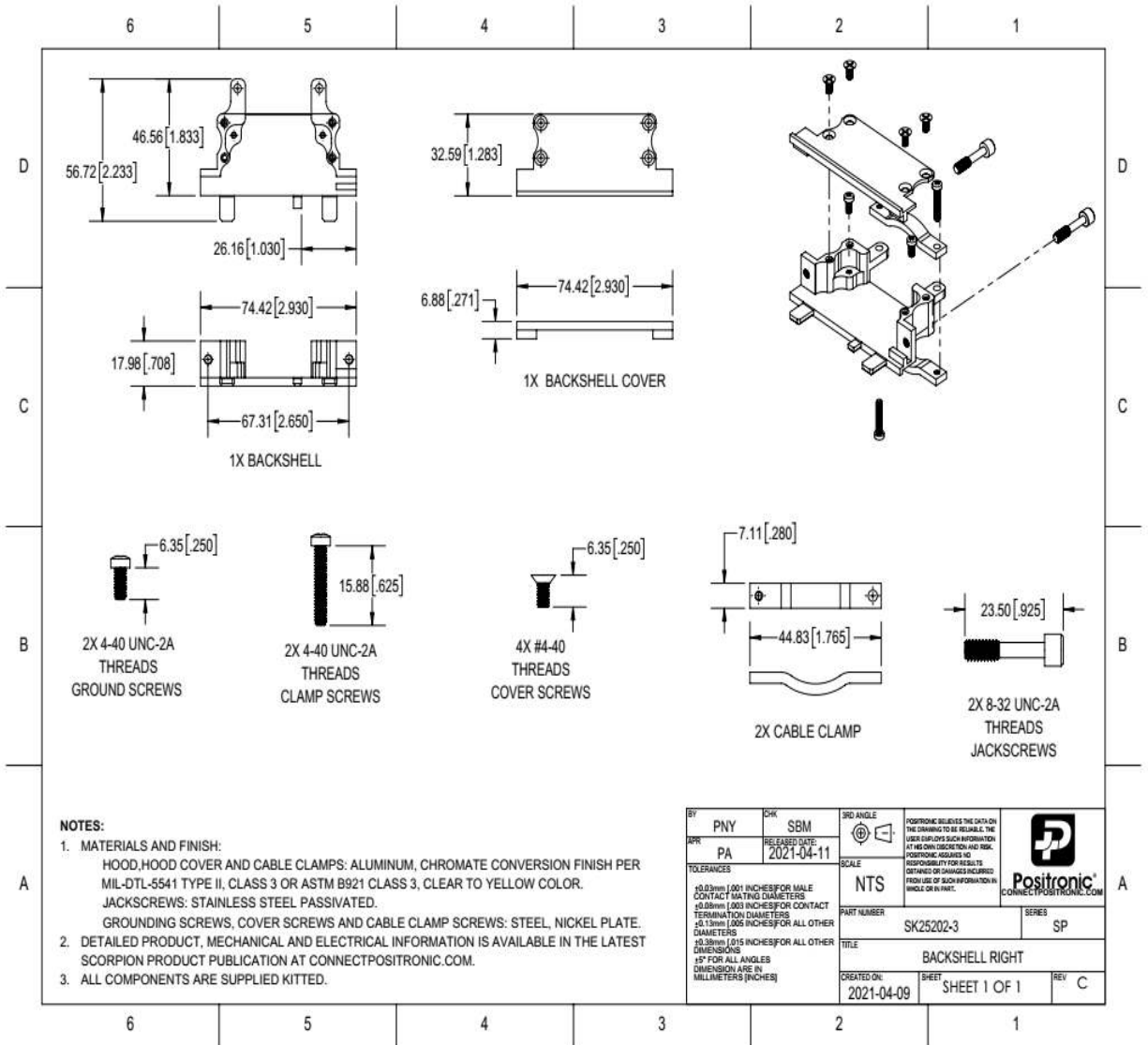
USER GUIDE





	DOCUMENT NUMBER	REVISION	PAGE NUMBER
	AES-ECBU	A	Page 53 of 59

ASTRONICS ECBU CABLE CONNECTORS

USER GUIDE

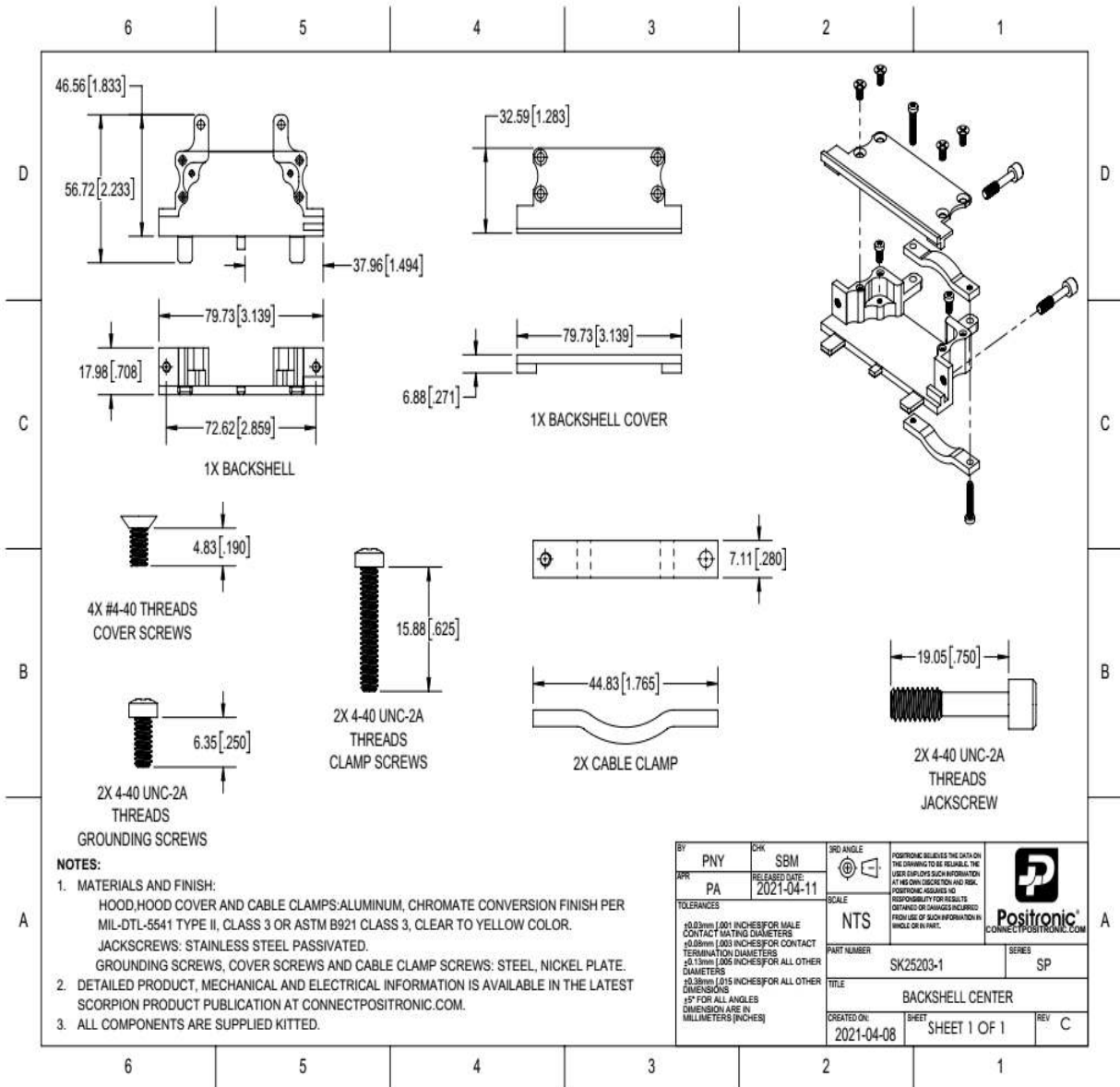



BY	PNY	CHK	SBM	3RD ANGLE	POSITRONIC BELIEVES THE DATA ON THE DRAWING TO BE RELIABLE. THE USER ASSUMES SUCH INFORMATION AT HIS OWN DISCRETION AND RISK. POSITRONIC ASSUMES NO RESPONSIBILITY FOR RESULTS OBTAINED BY DAMAGES INCURRED FROM USE OF SUCH INFORMATION IN WHOLE OR IN PART.	 Positronic CONNECTPOSITRONIC.COM	
APP	PA	RELEASED DATE	2021-04-11	SCALE			NTS
TOLERANCES				PART NUMBER	SK25202-3	SERIES	SP
±0.03mm (.001 INCHES) FOR MALE CONTACT MATING DIAMETERS ±0.08mm (.003 INCHES) FOR CONTACT TERMINATION DIAMETERS ±0.13mm (.005 INCHES) FOR ALL OTHER DIAMETERS ±0.25mm (.010 INCHES) FOR ALL OTHER DIMENSIONS ±5° FOR ALL ANGLES DIMENSIONS ARE IN MILLIMETERS (INCHES)				TITLE		BACKSHELL RIGHT	
CREATED ON:				2021-04-09	SHEET	SHEET 1 OF 1	
						REV	C

 Positronic an Amphenol company	DOCUMENT NUMBER	REVISION	PAGE NUMBER
	AES-ECBU	A	Page 54 of 59

ASTRONICS ECBU CABLE CONNECTORS

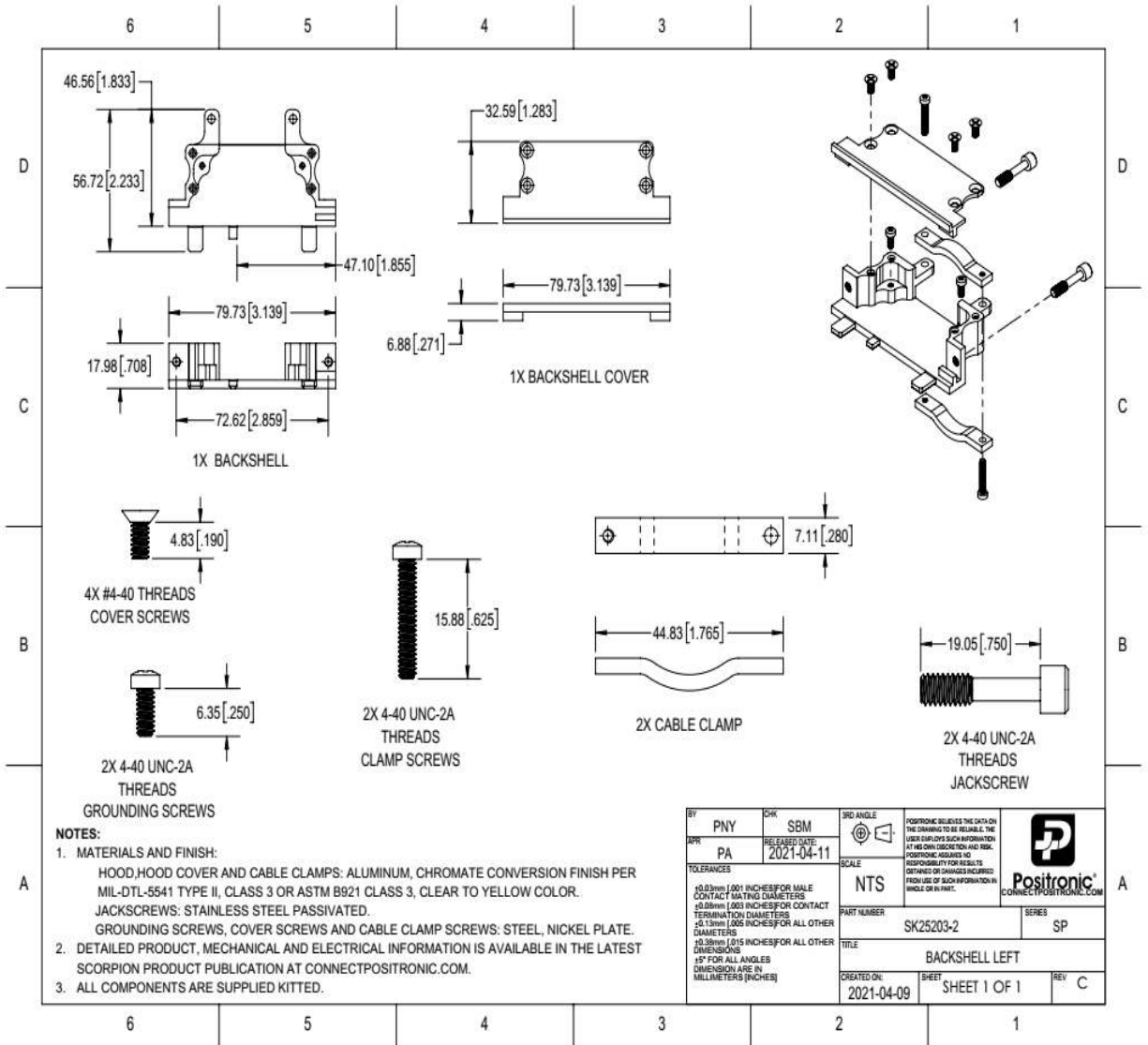
USER GUIDE



 Positronic <small>an Amphenol company</small>	DOCUMENT NUMBER	REVISION	PAGE NUMBER
	AES-ECBU	A	Page 55 of 59

ASTRONICS ECBU CABLE CONNECTORS

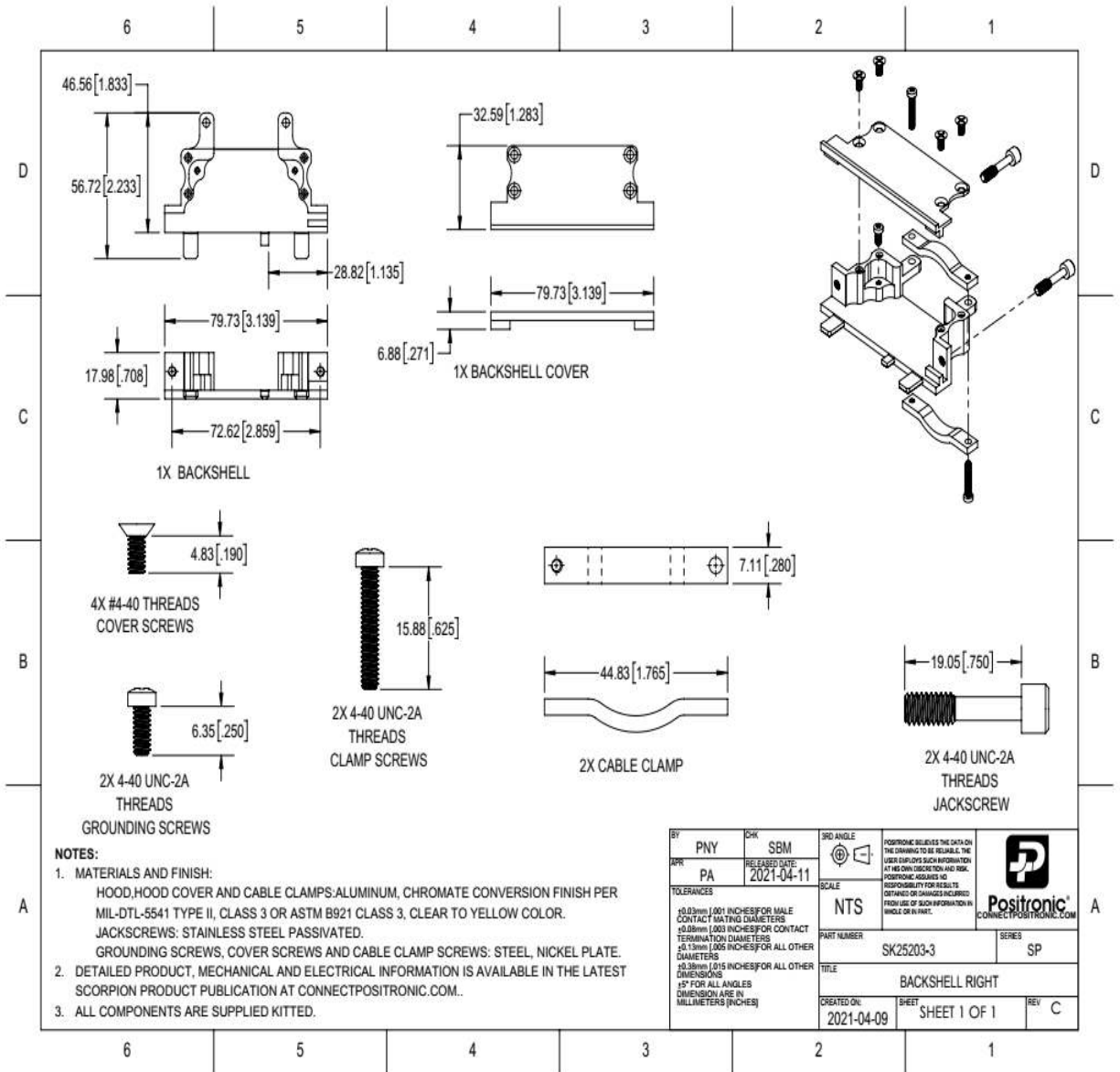
USER GUIDE



	DOCUMENT NUMBER	REVISION	PAGE NUMBER
	AES-ECBU	A	Page 56 of 59

ASTRONICS ECBU CABLE CONNECTORS

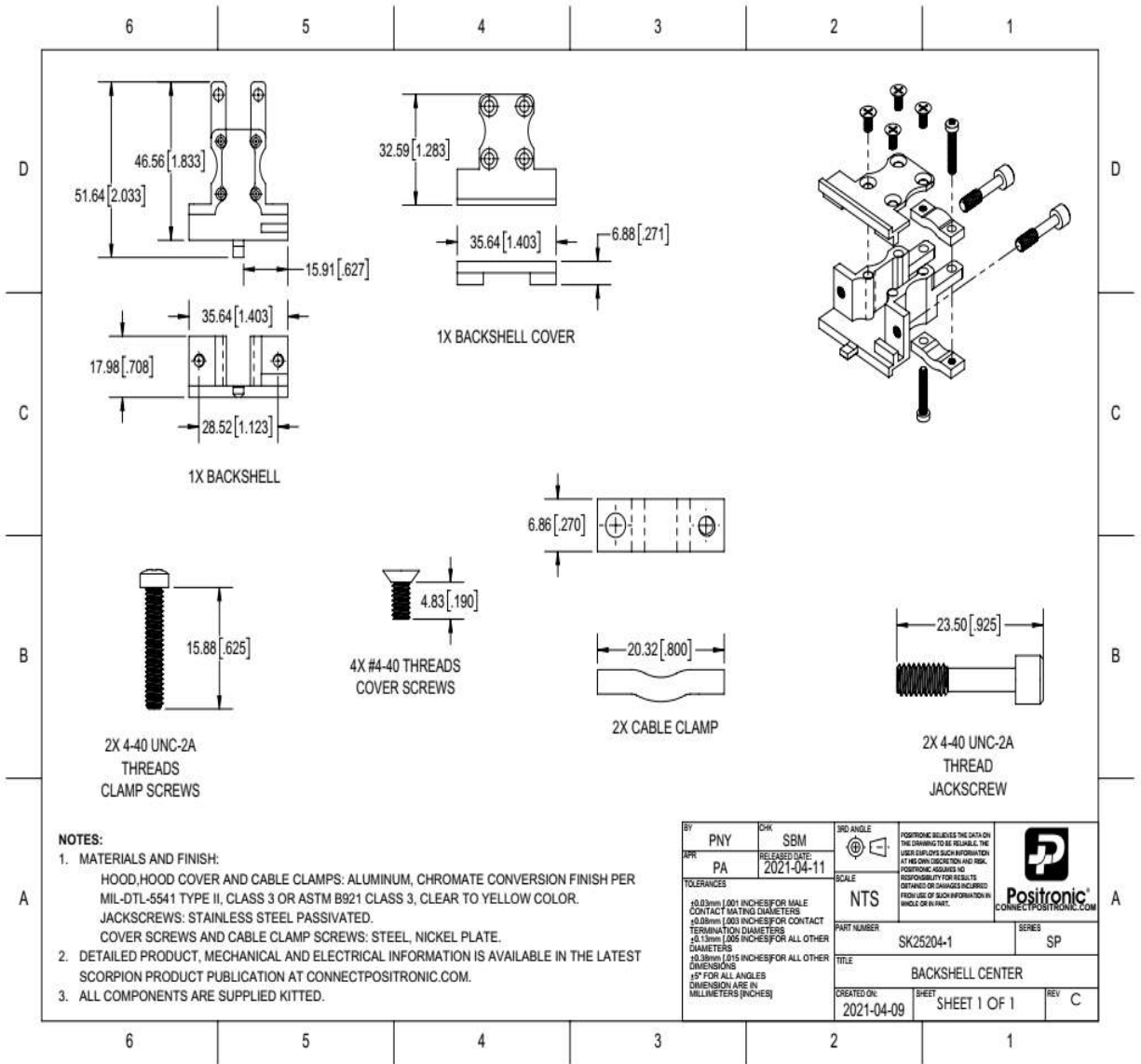
USER GUIDE



 Positronic® an Amphenol company	DOCUMENT NUMBER	REVISION	PAGE NUMBER
	AES-ECBU	A	Page 57 of 59

ASTRONICS ECBU CABLE CONNECTORS

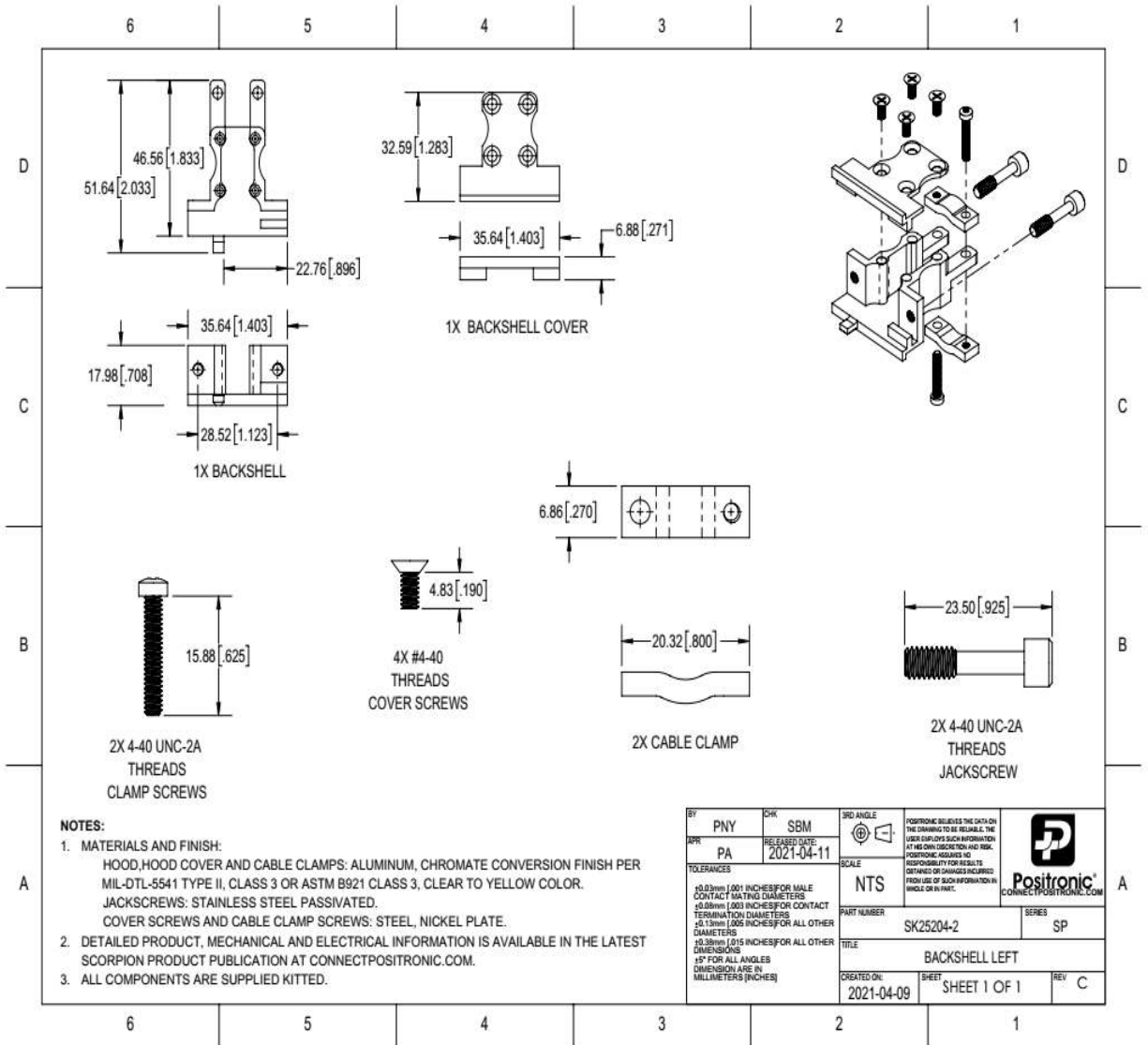
USER GUIDE




	DOCUMENT NUMBER	REVISION	PAGE NUMBER
	AES-ECBU	A	Page 58 of 59

ASTRONICS ECBU CABLE CONNECTORS

USER GUIDE



 Positronic <small>an Amphenol company</small>	DOCUMENT NUMBER	REVISION	PAGE NUMBER
	AES-ECBU	A	Page 59 of 59