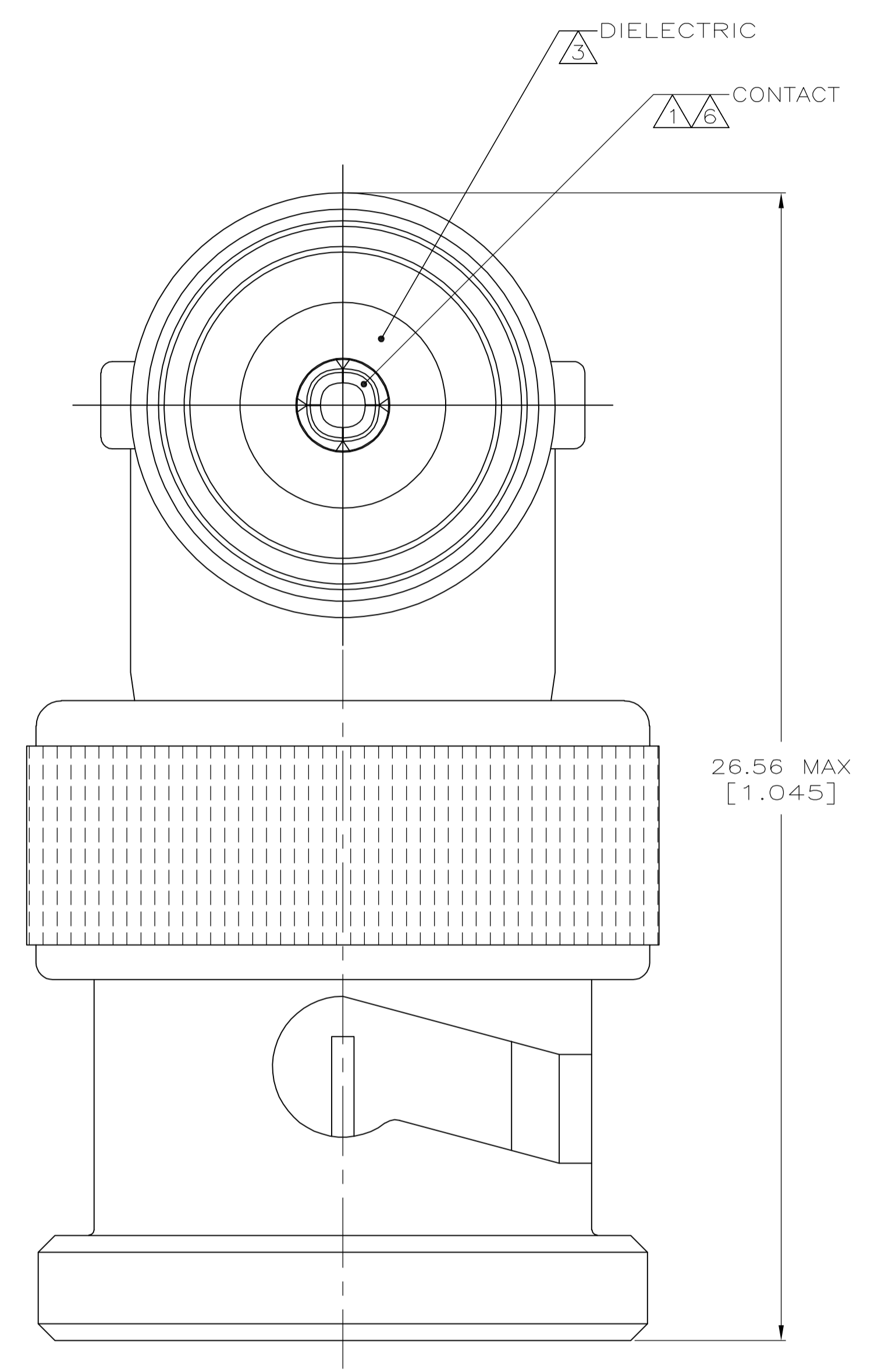
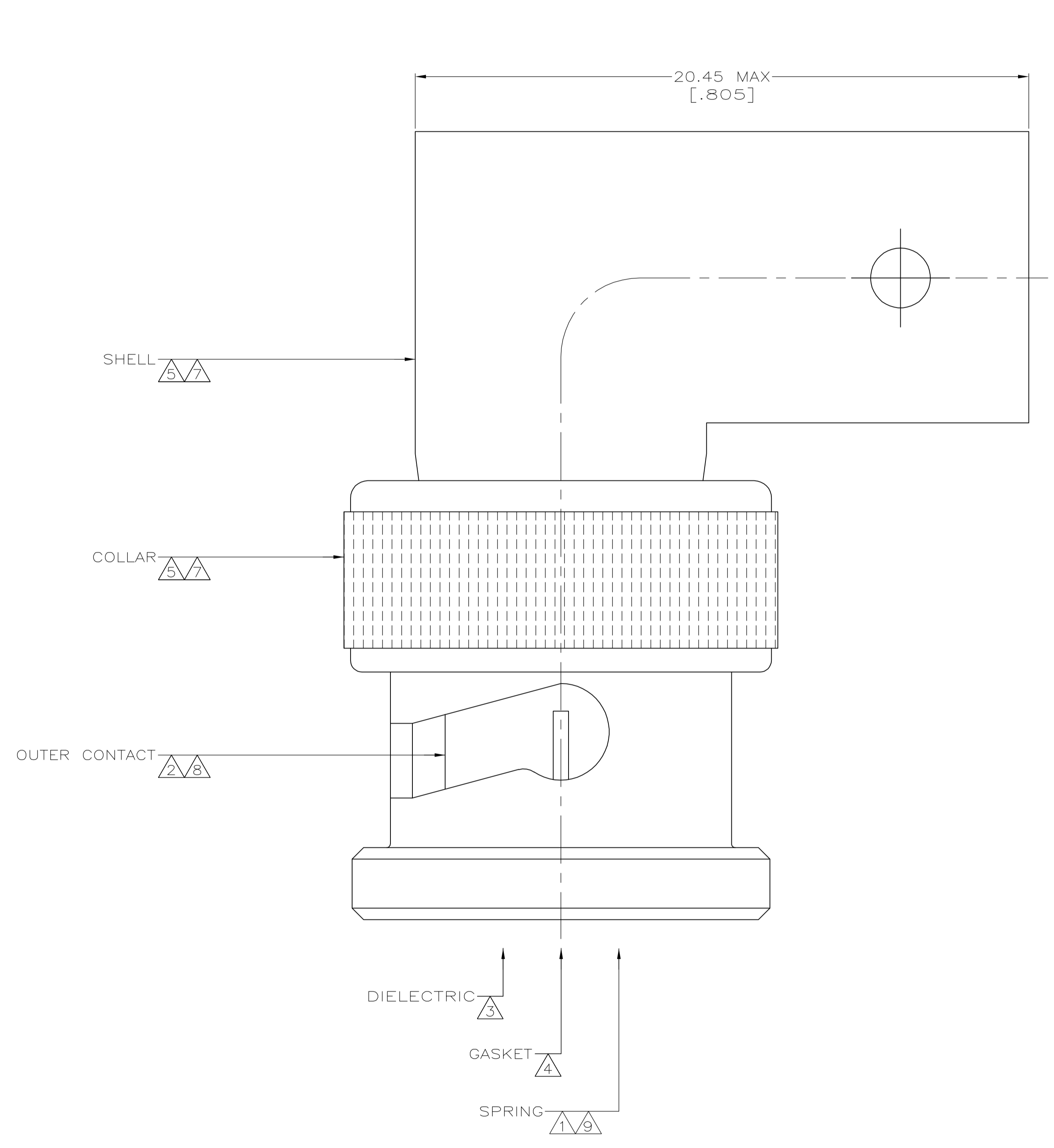


- △ BERYLLIUM COPPER PER ASTM-B-194
- △ BRASS PER ASTM-B-16
- △ PTFE PER ASTM-D-1710
- △ SILICONE RUBBER PER ZZ-R-765
- △ ZINC DIE CAST PER ASTM-B-86
- △ SILVER PLATE PER QQ-S-365, 5.08 μm [.000200] MIN THICKNESS
- △ NICKEL PLATE PER QQ-N-290, 1.27 μm [.000050] MIN THICKNESS
- △ NICKEL PLATE PER QQ-N-290, 2.54 μm [.000100] MIN THICKNESS
- △ TIN PLATE PER ASTM-B-545, 2.54 μm [.000100] MIN THICK.



5329517  
 PART NUMBER

THIS DRAWING IS A CONTROLLED DOCUMENT.		DWN L. VARELA - DOCKS 21APR2005		Tyco Electronics Corporation Harrisburg, PA 17105-3608																			
DIMENSIONS: mm [INCHES]		CHK J. HAVENER 21APR2005		APVD J. LIPPERT 21APR2005	NAME PLUG-JACK ADAPTER, RIGHT ANGLE, BNC																		
TOLERANCES UNLESS OTHERWISE SPECIFIED:		<table border="1"> <tr><td>0 PL/C</td><td>±</td><td>-</td></tr> <tr><td>1 PL/C</td><td>±</td><td>-</td></tr> <tr><td>2 PL/C</td><td>±</td><td>-</td></tr> <tr><td>3 PL/C</td><td>±</td><td>-</td></tr> <tr><td>4 PL/C</td><td>±</td><td>-</td></tr> <tr><td>ANGLES</td><td>±</td><td>-</td></tr> </table>		0 PL/C	±	-	1 PL/C	±	-	2 PL/C	±	-	3 PL/C	±	-	4 PL/C	±	-	ANGLES	±	-	PRODUCT SPEC	
0 PL/C	±	-																					
1 PL/C	±	-																					
2 PL/C	±	-																					
3 PL/C	±	-																					
4 PL/C	±	-																					
ANGLES	±	-																					
MATERIAL SEE NOTES		FINISH SEE NOTES		SIZE A1	CAGE CODE 00779																		
CUSTOMER DRAWING		SCALE 10:1		SHEET 1 of 1	REV A																		