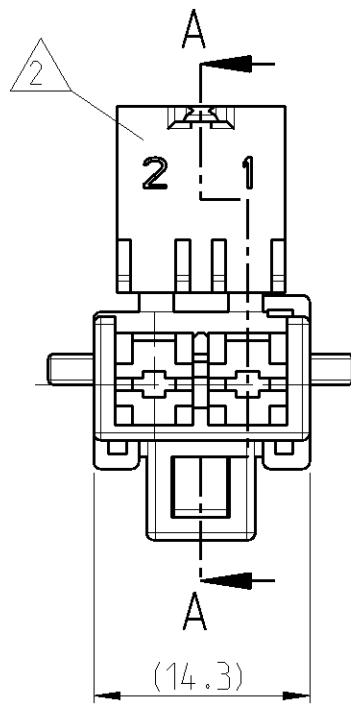
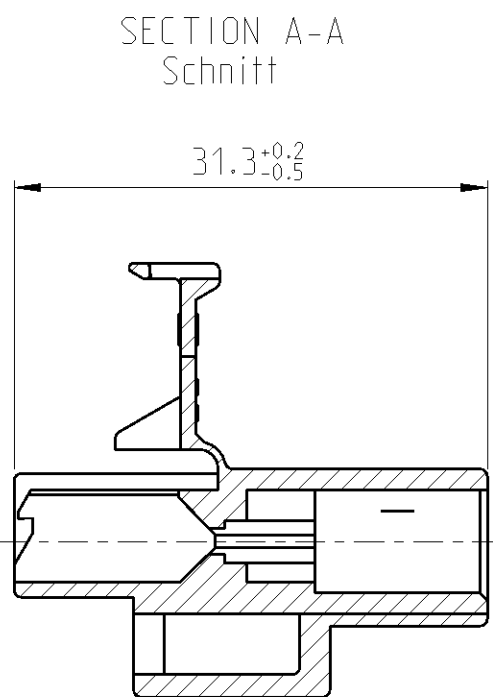
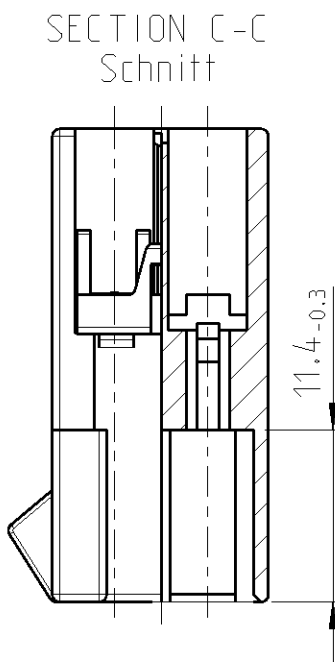
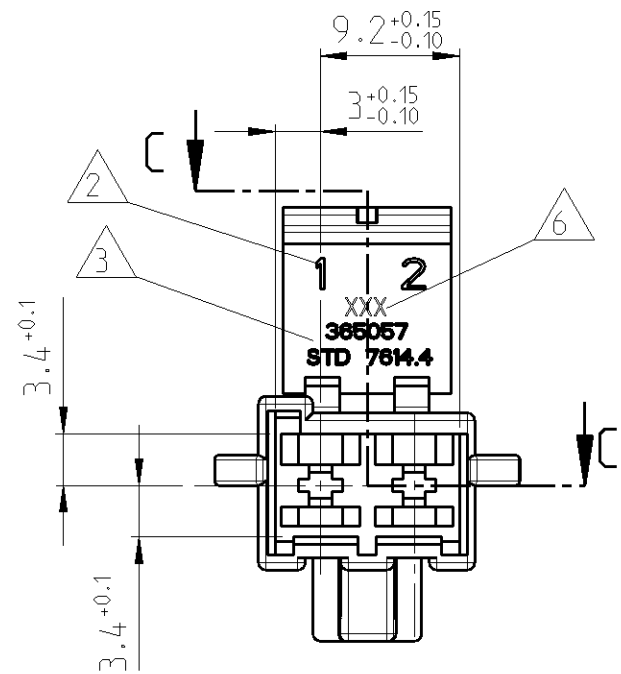


LOC	DIST	REVISIONS			
P	LTR	DESCRIPTION	DATE	DWN	APVD
		E1	TE Logo changed; Note 6 added	30JAN2013	Ho. Schin.



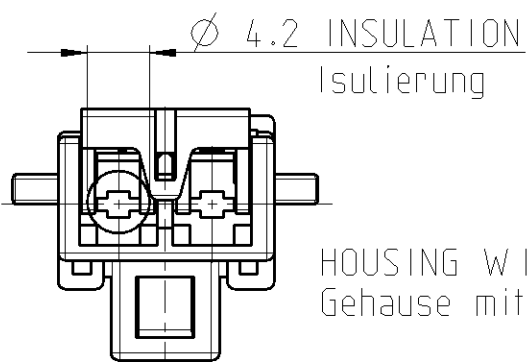
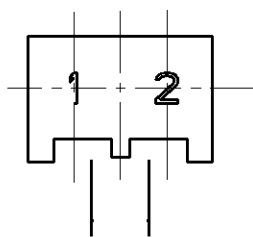
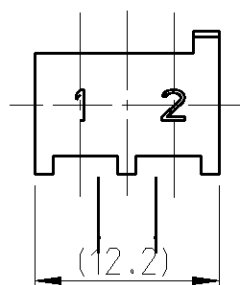
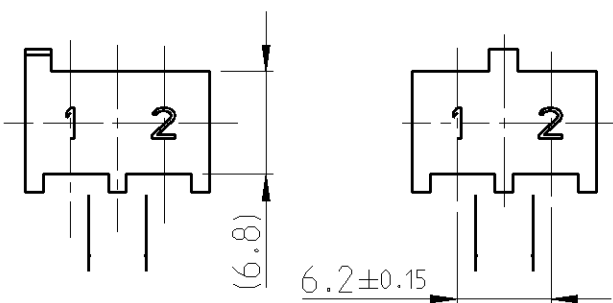
- 1 MATERIAL AND COLORS ARE FREE OF CADMIUM
Material und Farbbatch muss cadmiumfrei sein
- 2 CHARACTER HEIGHT 2
Schrifthoehe 2
- 3 CHARACTER HEIGHT 1
Schrifthoehe 2
- 4 FITTING WITH 365058
Passend zu 365058
- 5 PARTS MUST BE AIR TIGHT PACKAGED,
MOISTURE CONTENT MUST BE 2.5±1%
Teile muessen luftdicht verpackt sein,
die Feuchte muss 2.5±1% betragen
- 6 LOGO ACC. TO TE SPEC TEC-202-36;
0.15 RAISED
Firmenlogo entsprechend TE Spec TEC-202-36;
0.15 erhaben

CODING 1
Kodierung

CODING 2
Kodierung

CODING 3
Kodierung

CODING 4
Kodierung



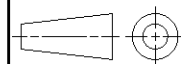
HOUSING WITH CLOSED FLAP
Gehäuse mit geschlossener Kappe

CODE NO.	PART NUMBER	MATERIAL	COLOUR
CODE 4	365057-4	PA 6.6	YELLOW
CODE 3	365057-3	PA 6.6	BLACK
CODE 2	365057-2	PA 6.6	GREY
CODE 1	365057-1	PA 6.6	NATUR

THIS DRAWING IS A CONTROLLED DOCUMENT.

DIMENSIONS:
mm

TOLERANCES UNLESS OTHERWISE SPECIFIED:



0 PLC	±
1 PLC	±
2 PLC	±
3 PLC	±
4 PLC	±
ANGLES	±°
FINISH	-

MATERIAL SEE TABLE

DWN	R. ULLRICH	12APR1985
CHK	J. PASCUAL	15JUN1993
APVD	L. BATTLO	15JUN1993
PRODUCT SPEC	-	-
APPLICATION SPEC	-	-
WEIGHT	-	-
Customer Drawing		

TE TE Connectivity			
NAME 2 POS. TAB-HOUSING			
SIZE	CAGE CODE	DRAWING NO	RESTRICTED TO
A3	00779	©=365057	-
SCALE 2:1		SHEET 1 OF 1	REV E1