

PLS-051A-3PPI



PLS-051A-3PPI

Standard Level Sensor

Electrical Characteristics @ 25 °C

Contact form		A
Contact rating max.	W / VA	10
Switching voltage max.	VDC	200
	VAC	140
Switching current max.	A	1
Carry current max.	A	1.2
Breakdown voltage min.	VDC	240
Total resistance max.	mΩ	280

Environmental Characteristics

Operating temperature	°C	-20 to +80
Storage temperature	°C	-30 to +80

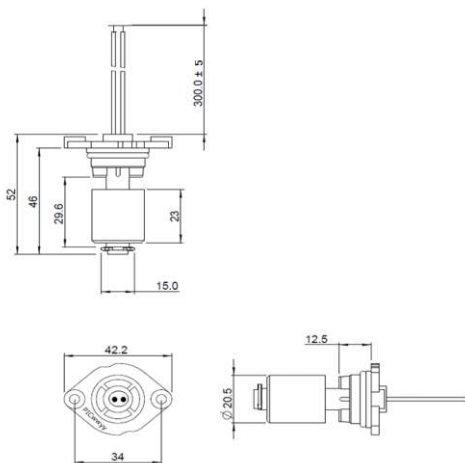
Mechanical Characteristics

Density of float typ.*	g / cm ³	0.8
Recommended minimum gravity of medium	g / cm ³	Density of float + 20%

* in delivery condition

Dimensions in mm

© PIC GmbH



Features

- No power supply required
- Customized types available
- FDA test passed
- Polypropylene housing

Approvals



Ordering Information

Packing Unit	10	pcs
Weight per piece	17.25	g
Weight per package	185	g

PLS-051A-3PPI



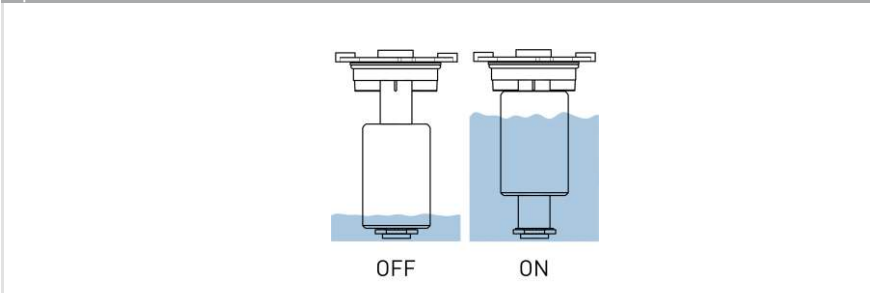
PLS-051A-3PPI

Standard Level Sensor

Material Information

	Material	Colour
Housing	PP	white
Float	PP foam	white
Potting compound	Epoxy	black
Sealing ring	Silicone	brown
Cable	UL 1007, AWG 24, 4 mm stripped and tinned	white

Operation View

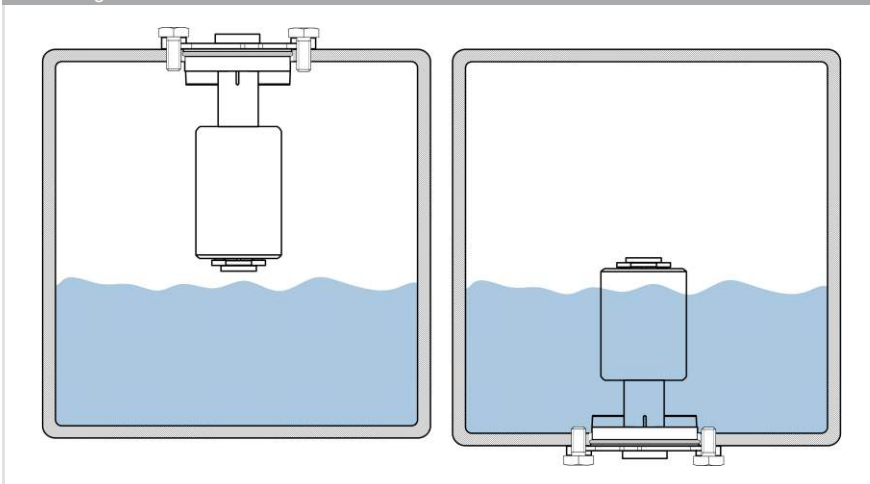


Remarks

When mounted near ferromagnetic parts switching distance of PLS-051A-3PPI may vary.

Electromagnetical influences and magnetic fields may change the switching behaviour of the Level Sensor.

Mounting



When mounted stem up, operating functions are reversed.