



soberton inc.

DYNAMIC SPEAKER UNIT

Acoustic Product Specification

Product Number: SP-2806Y



Release | Revision: A/2018

CONTENTS

This document contains the technical specifications for the dynamic speaker.

Page 1

Speaker Specification

Reliability Test

Page 2

Temperature Condition

Test Setup

Typical Frequency Response Curve

Page 3

Dimensions

Page 4

Packing

Speaker Specification

Item	Specification
Dimensions	Ø28.0 x 6.2 mm
Rated Input Power	1.0 W
Maximum Input Power	1.5 W
Sound Pressure Level	90±3dB (Input: 0.1m/0.1W) at 0.8, 1.0, 1.5, 2.0KHz in average (0dB SPL=20µPa)
Impedance	8Ω±1.2Ω (at 1.5 KHz,1V)
Lower Resonance Frequency	450±90Hz (No Baffle)
Frequency Response	400Hz~20KHz (at -10dB)
Distortion	10% max (at 1KHz, 0.1m/0.1W)
Operation	It shall be normal. Input power:1.0W sine wave.
Polarity	When a positive DC current is applied to the terminal marked(+), the diaphragm moves forward.

Reliability Test

Item	Method of Test Standard
Load Test	Input Power: 1.0W (2.8V) white noise Duration: 96 hours
Humidity Test	Temperature: 40°C Relative Humidity: 90~95% Duration: 96 hours
High Temperature Test	Temperature: 80°C Duration: 96 hours
Low Temperature Test	Temperature: -20°C Duration: 96 hours
Thermal Shock Test	High Temperature: 80°C Low Temperature: -20°C Number of Cycles: 5 cycles Duration of Exposure: 2 hours at each temperature Duration of Recovery: 1 hour
Vibration Test	Amplitude: 1.5 mm Frequency: 10 ~ 55 Hz Sweep Time: 1 minute Axes: 3 axes Duration: 2 hours on each axes
Drop Test	Drop an unpacked unit onto a board 20mm thick 10 times from a height of 100cm.



soberton inc.

DYNAMIC SPEAKER UNIT

Acoustic Product Specification

Product Number: SP-2806Y



Release | Revision: A/2018

CONTENTS

This document contains the technical specifications for the dynamic speaker.

Page 1

Speaker Specification

Reliability Test

Page 2

Temperature Condition

Test Setup

Typical Frequency Response Curve

Page 3

Dimensions

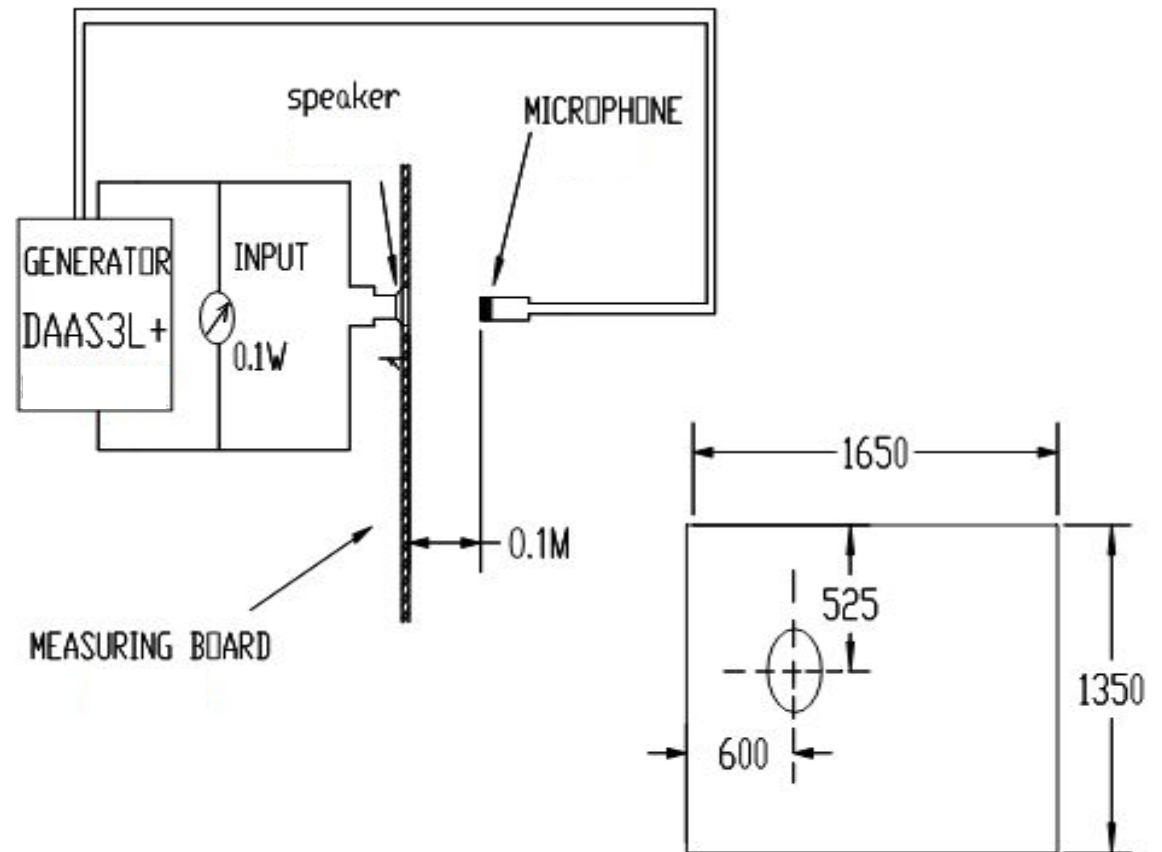
Page 4

Packing

Temperature Condition

Item	Specification
Operation Temperature Range	-20°C ~ 60°C
Storage Temperature Range	-20°C ~ 80°C

Test Setup



MEASUREMENT

Typical Frequency Response Curve

ESC End	D A A S Frequency Response	i 07.01.00 14:37
Distance Loudsp.- Mic.: 10.0 cm, dB SPL standardized to 1 meter		M0: YD28-30 0.1m0.1wR8





soberton inc.

DYNAMIC SPEAKER UNIT

Acoustic Product Specification

Product Number: SP-2806Y



Release | Revision: A/2018

CONTENTS

This document contains the technical specifications for the dynamic speaker.

Page 1

Speaker Specification

Reliability Test

Page 2

Temperature Condition

Test Setup

Typical Frequency Response Curve

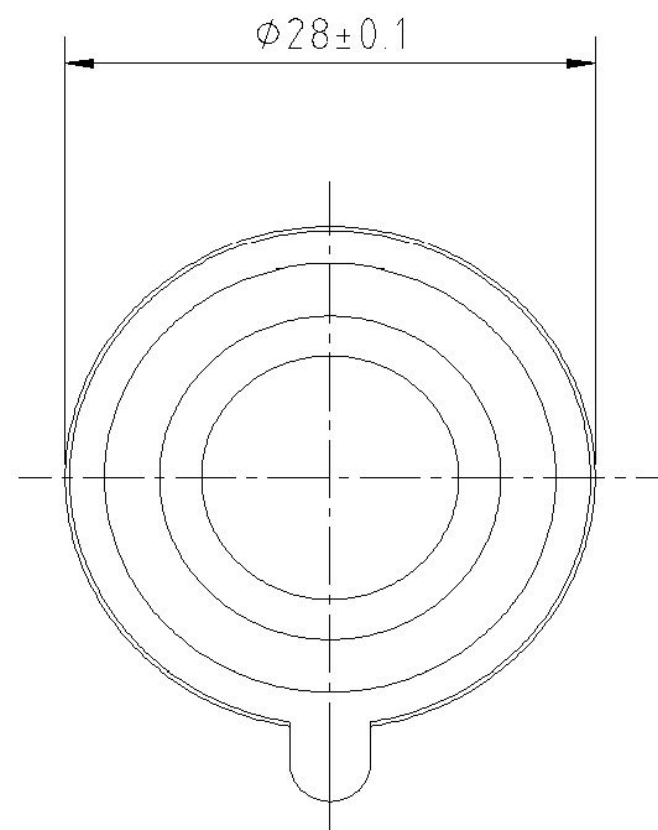
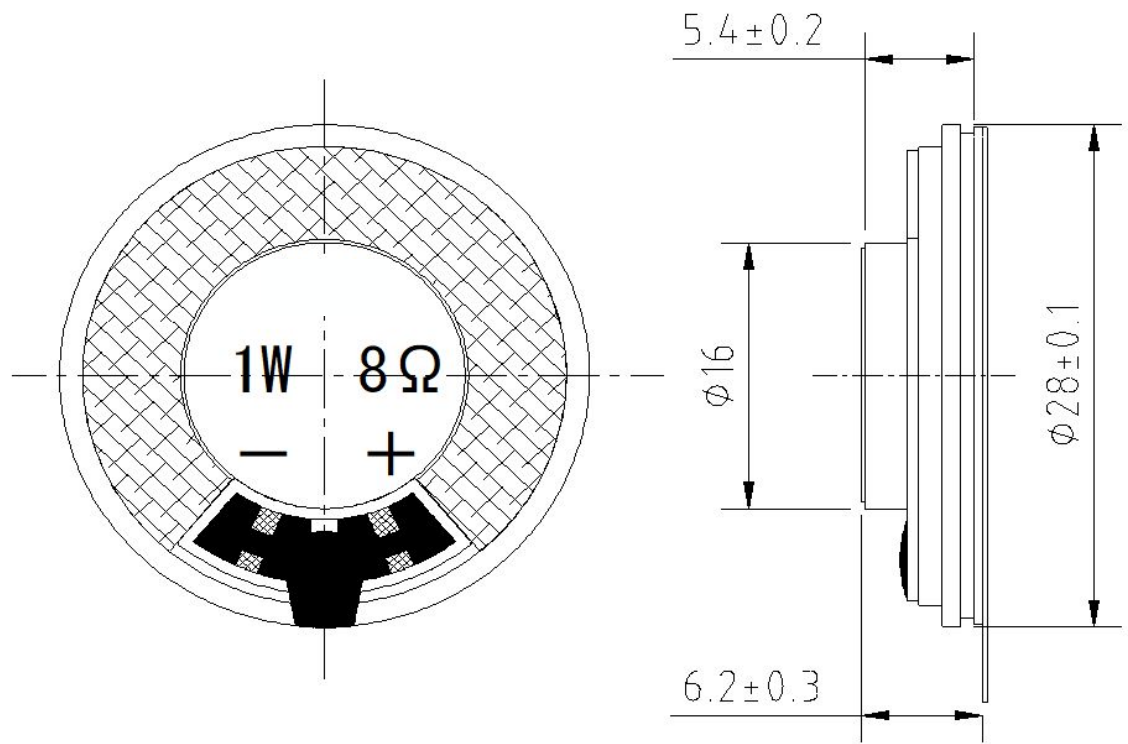
Page 3

Dimensions

Page 4

Packing

Dimensions





soberton inc.

DYNAMIC SPEAKER UNIT

Acoustic Product Specification

Product Number: SP-2806Y



Release | Revision: A/2018

CONTENTS

This document contains the technical specifications for the dynamic speaker.

Page 1

Speaker Specification

Reliability Test

Page 2

Temperature Condition

Test Setup

Typical Frequency Response Curve

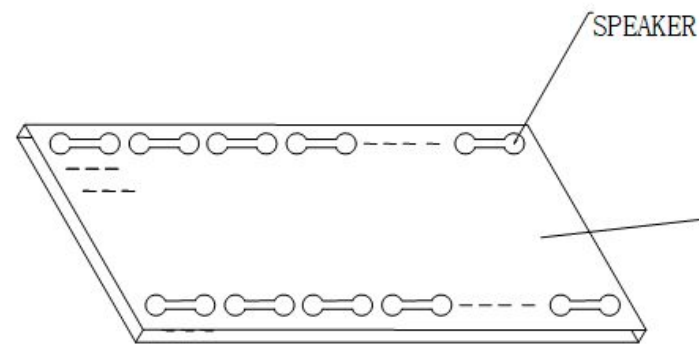
Page 3

Dimensions

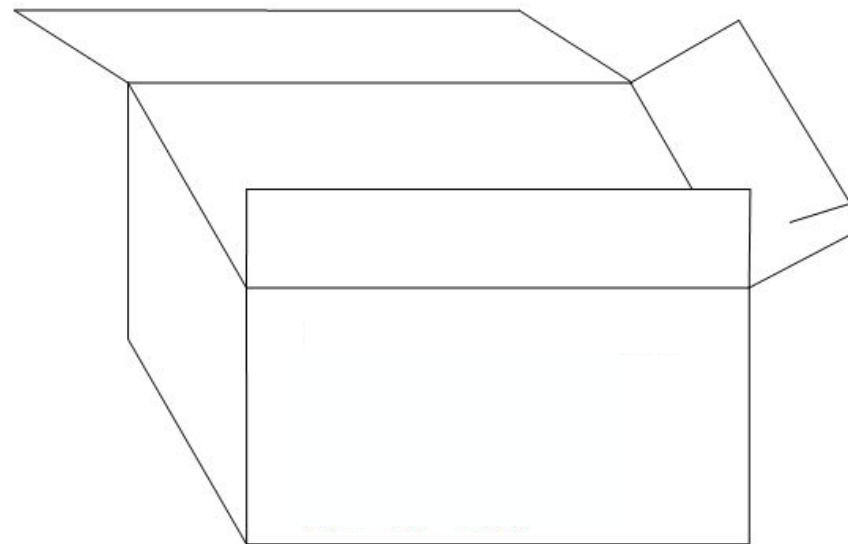
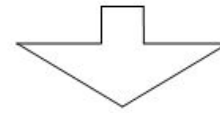
Page 4

Packing

Packing



80 pcs per tray
25 trays per box
2,000 pcs



Box size 49 x 33 x 40 cm