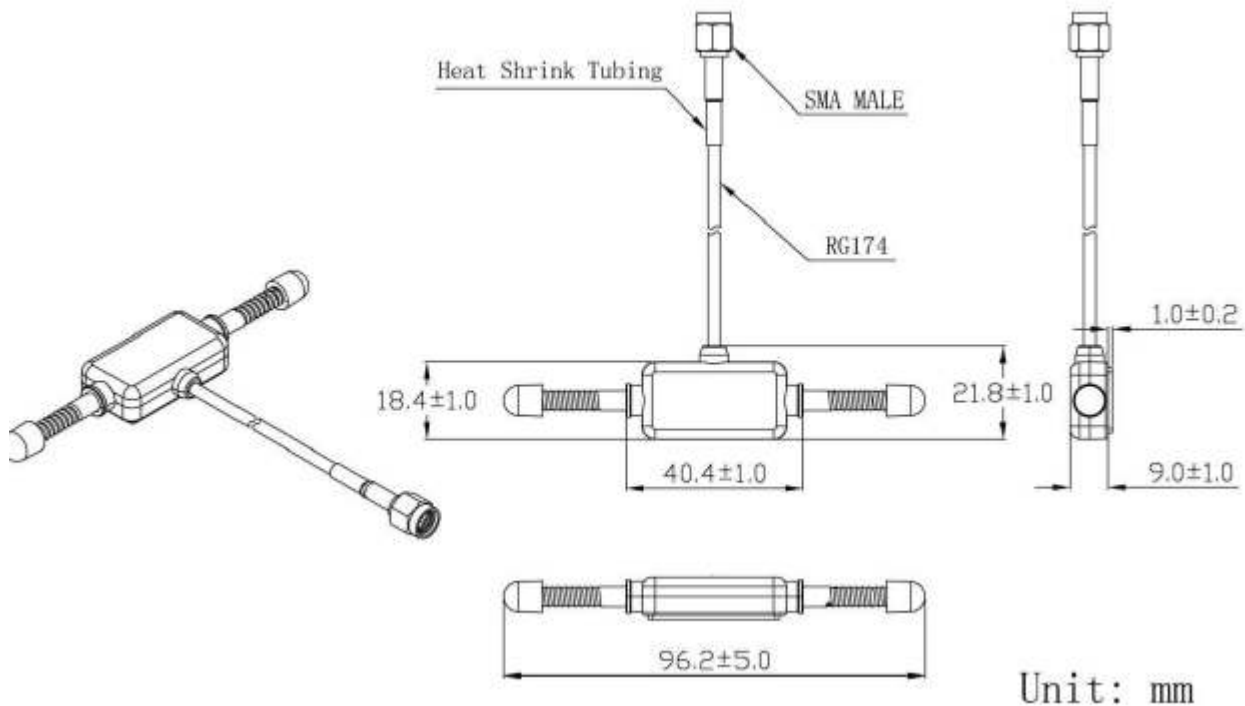


ELECTRICAL SPECIFICATION

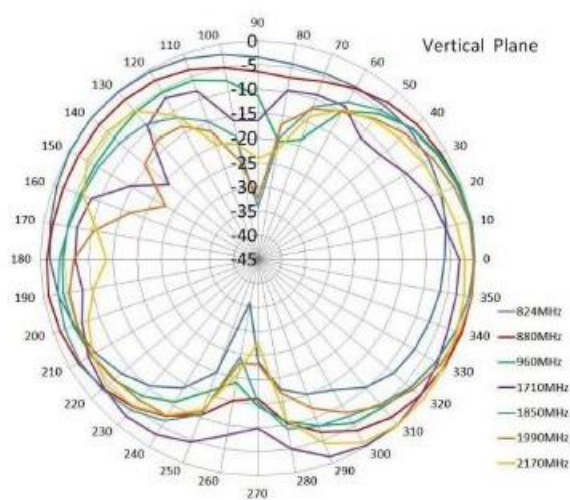
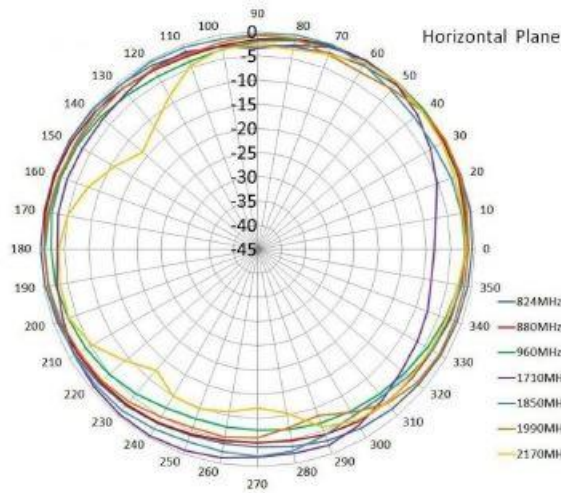
PARAMETERS	VALUE		UNIT
Frequency Range	824 ~ 960	1710 ~ 2170	MHz
Polarization	Linear		-
Gain	3.0		dBi
VSWR	2.0		-
Impedance	50		Ω
Cable	RG174		-
Connector	SMA Male		-
Mounting Method	Adhesive		-
Radome Material	ABS		-
Operating Temperature Range	-40 ~ +85		$^{\circ}\text{C}$
Vibration (with 1.5mm amplitude 2hours)	10 ~ 55		Hz
RoHS Compliant	YES		-



DIMENSIONS



RADIATION PATTERN



ENVIRONMENTAL

PARAMETER	VALUE
RoHS	Compliant
REACH SVHC	Compliant
HALOGEN-FREE	Compliant



APPROVAL

RALTRON	
DRAWN BY:	AR, July 13, 2022
APPROVED BY:	CP, July 13, 2022
REVISION:	A, Initial Release

Raltron Electronics / RAMI Technology USA, LLC, including its affiliates, employees, agents and other persons acting on its behalf (collectively Raltron/RAMI Tech), disclaim any and all liability for any errors or inaccuracies contained in this data sheet. While Raltron/RAMI Tech has made every reasonable effort ensure the accuracy of all product information, specifications and data contained herein, Raltron/RAMI Tech does not guarantee that the information is accurate, reliable or current. The product information is provided only for reference purposes only and is subject to change, correction or revision, at any time without notice. Raltron/RAMI Tech does not assume any liability arising out of an application or use of any product described herein and disclaims any warranties expressed or implied. The user of products in such applications shall assume all risks of such use and will agree to hold Raltron/RAMI Tech, harmless against all damages.

Copyright © 2016, Raltron Electronics / RAMI Technology USA, LLC. All rights reserved. No part of this document may be reproduced in any form without the prior written permission of Raltron Electronics / RAMI Technology USA, LLC.