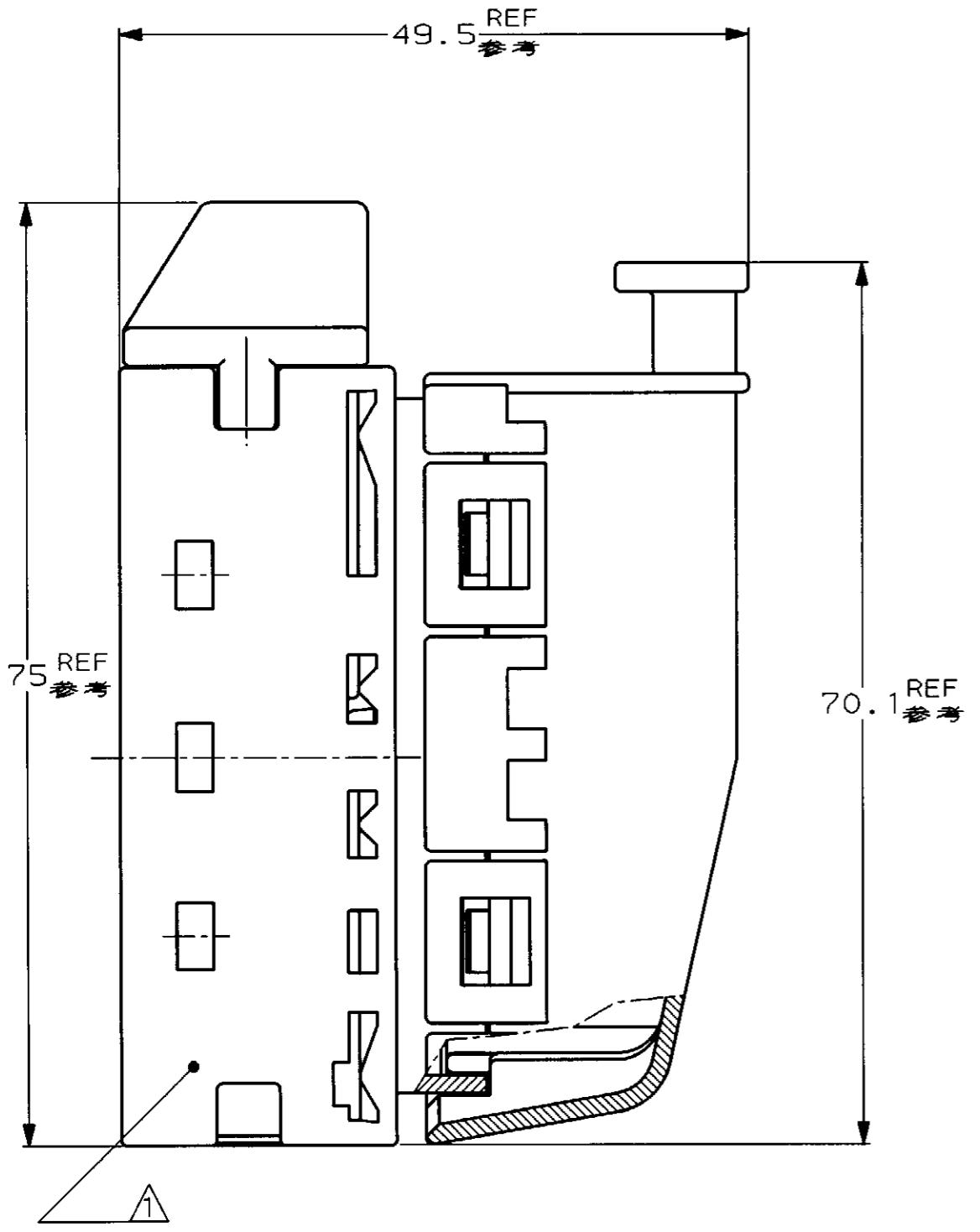
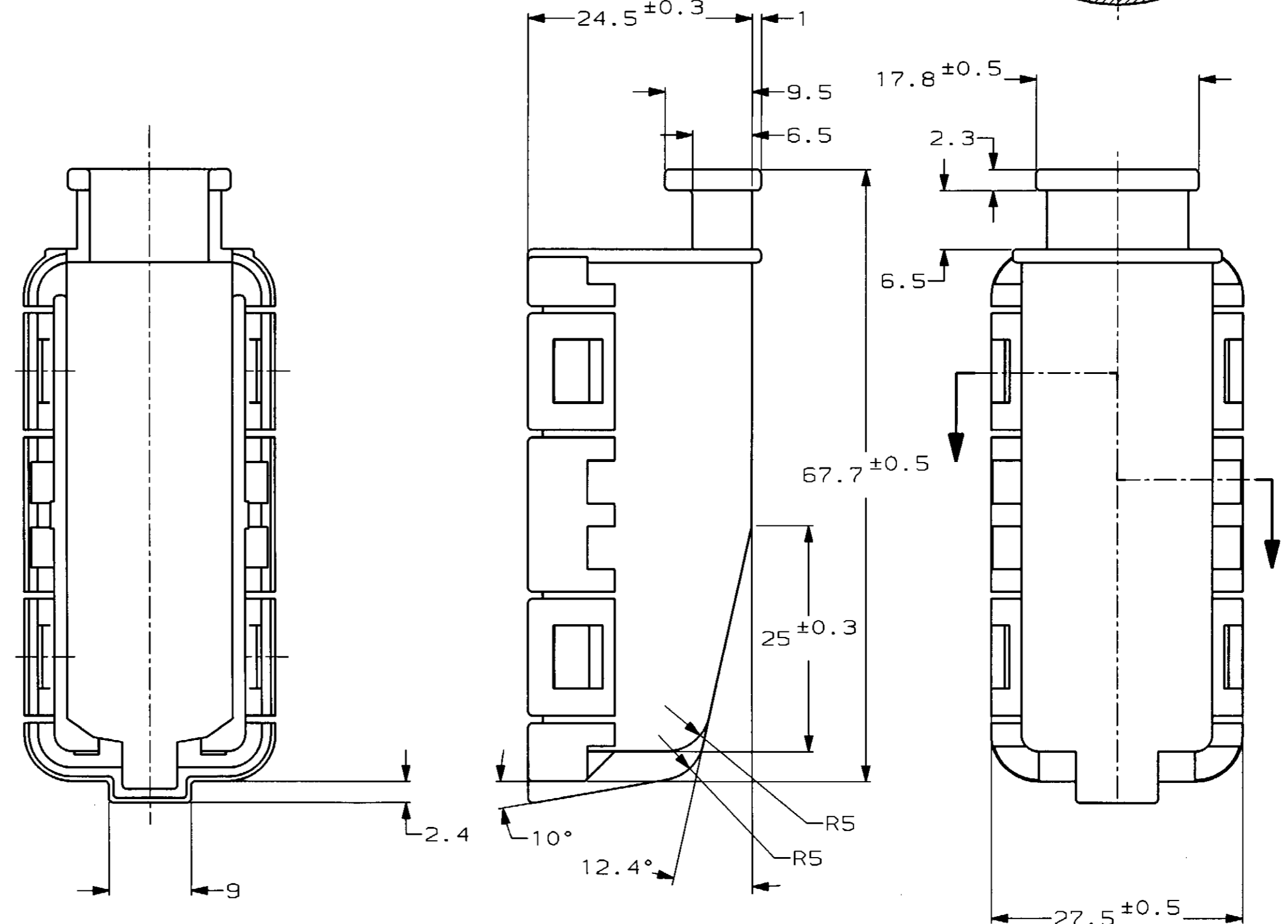


-2: AS SHOWN
 本図

LOC		DIST		REVISIONS					
P	LTR	DESCRIPTION	ECN	DATE	DWN	APVD			
	O	DRAWN	FJ00-5447-96	10/7'96	KA	KO			
	A	REVISED	FJ00-5637-96	14JAN97	KA	KO			
	B	REVISED	FJ00-0454-97	ZAMBEI	JS	KS			



FIXED TO PLUG ASSY
 取付状態



△ 適用プラグアッセンブリ 316874-1

△ APPLY PLUG ASSY 316874-1

THIS DRAWING IS A CONTROLLED DOCUMENT FOR AMP INCORPORATED. IT IS SUBJECT TO CHANGE AND THE CONTROLLING ENGINEERING ORGANIZATION SHOULD BE CONTACTED FOR THE LATEST REVISION.		DWN K. AOYAMA 10/7'96	WIRE RANGE 結合電線断面積	INSULATION DIA 被覆外径
DIMENSIONS 単位 概 mm	TOLERANCES UNLESS OTHERWISE SPECIFIED 一般公差 10mm ± 0.2 30 ± 0.25 100 ± 0.3 ANGLE ± 3°	CHK K. ODA 10/7'96	AMP 株式会社 Kawasaki, Japan	
	MATERIAL 材料 PP ポリプロピレン	APVD K. ODA 10/7'96		
FINISH 仕上 BLACK 黒色	WEIGHT 重量 6.2 g	APPLICATION SPEC 取付適用規格	SIZE A2	CAGE CODE 00779
CUSTOMER DRAWING			DRAWING NO 番 C-316873	SCALE 尺 2:1
			SHEET 1 OF 1	REV B