

6

5

4

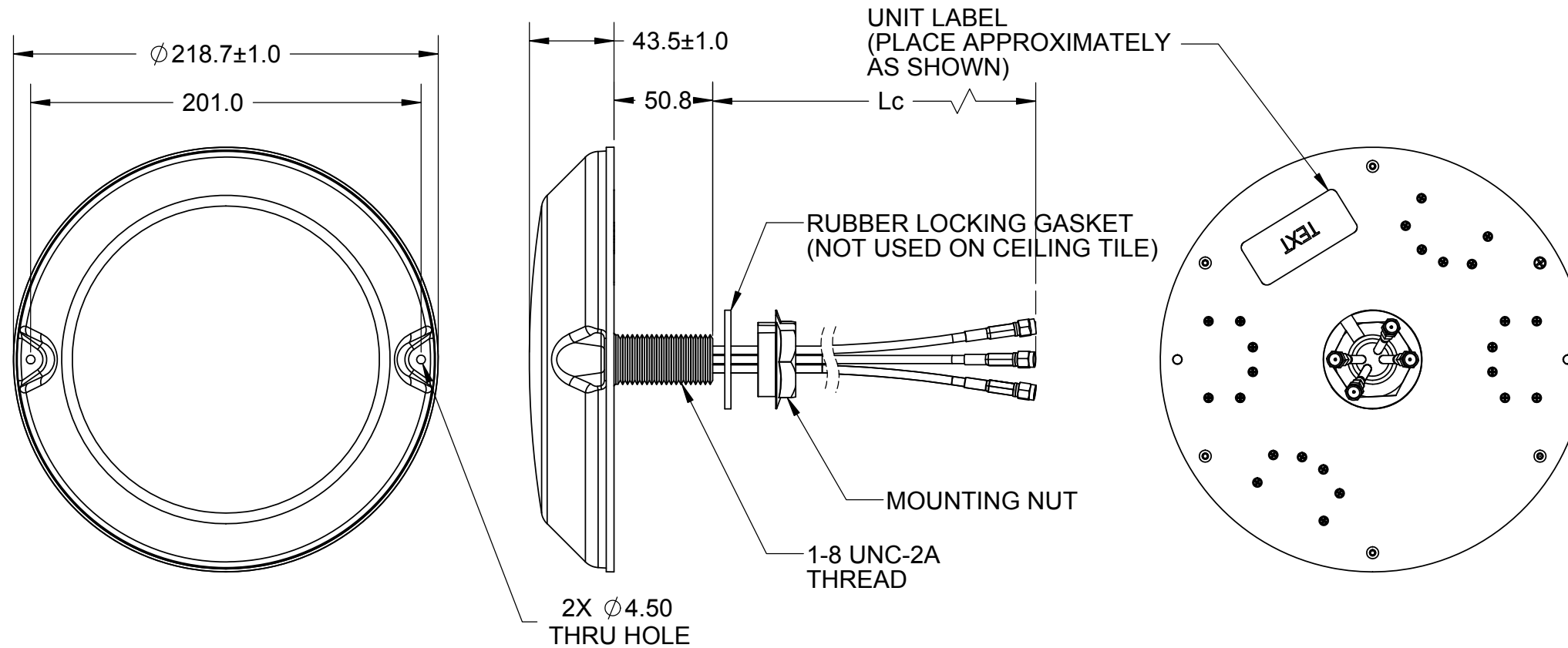
3

2

1

THIS DRAWING IS UNPUBLISHED.	RELEASED FOR PUBLICATION	-,-
© Copyright 2022 TE Connectivity Ltd.	ALL RIGHTS RESERVED.	

REVISIONS					
REV.	ECR#	ZONE	DESCRIPTION	CHANGED BY/DATE	APPROVED BY/DATE
AA			PRODUCTION RELEASE	WT NG 17FEB14	HANG 17FEB14



TYPICAL ELECTRICAL SPECIFICATIONS	
Frequency Range	2.4-2.5 GHz and 5.15 -5.875 GHz
Peak Gain	3.5 dBi @ 2.4 GHz Band (@ 45 Deg From Horizon) 6.0 dBi @ 5 GHz Band (@ 30 Deg From Horizon)
Polarization	Linear, Omnidirectional Radiation pattern
Nominal Impedance	50 Ohms
VSWR	2.0:1 max across the bands
Maximum Power Input	5 Watts
RF Connector	Rev-Polarity SMA Male (x4)
Pigtail Length, Lc	915mm \pm 15mm (36" \pm 0.6")
Cable type	RG58 Plenum Rated
Mounting	Ceiling
Weight	Approximate 0.47kg
Radome	White
RoHs	Compliant

MATERIAL: N/A			THIRD ANGLE PROJECTION
FINISH: N/A			
APPROVALS		DATE	INTERPRET DIMENSIONING AND TOLERANCING IN ACCORDANCE WITH ASME Y14.5M-2009 TOLERANCES UNLESS OTHERWISE SPECIFIED DIMENSIONS ARE IN MILLIMETERS ANGLE: $\pm 30'$ 0 PLACE DECIMAL: ± 0.5 1 PLACE DECIMAL: ± 0.25 2 PLACE DECIMAL: ± 0.13 SURFACE ROUGHNESS $1.6/\sqrt{\quad}$
DRAWN BY	WT NG	03-01-13	
PROJ. ENG.	LL TEOH	03-01-13	
APPL. MECH.	CY HANG	03-01-13	
MFG.	CH FONG	03-01-13	

TITLE: CMM24513S4-91RSM		
SIZE A3	DWG. NO. CMM24513S4-91RSMMO	REV AA
SCALE: 1:3 PREVIOUS#		SHEET 1 OF 1

6

5

4

3

2

1

D

D

C

C

B

B

A

A