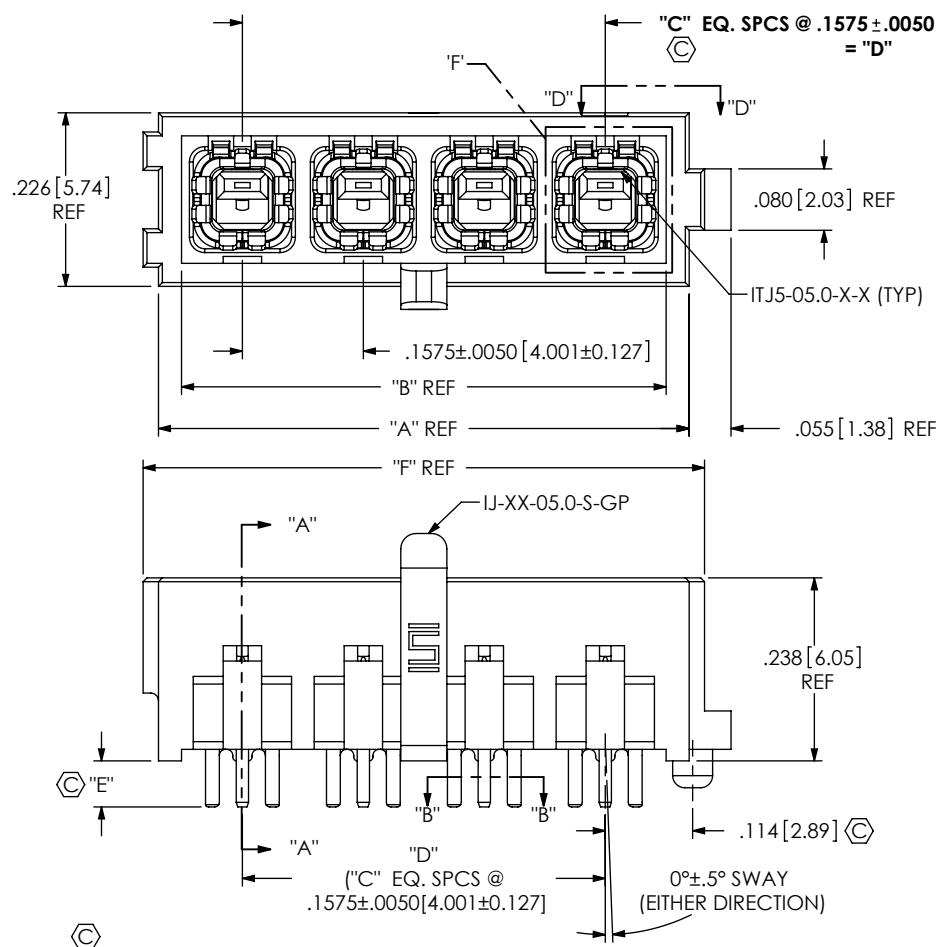


DO NOT SCALE FROM THIS PRINT



**IJ5-XX-05.0-X-X-X-TR**

**No. OF POSITIONS (PER ROW)**  
 -01: 1 POSITION (SEE NOTE 5)  
 -02: 2 POSITIONS  
 -04: 4 POSITIONS  
 -06: 6 POSITIONS  
 -08: 8 POSITIONS  
 \*-10: 10 POSITIONS  
 (\*=NOT TOOLED)

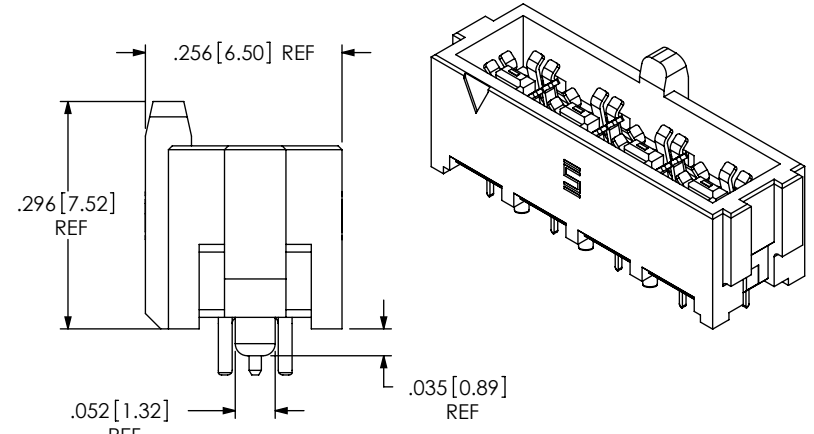
**LEAD STYLE**  
 -05.0: SEE TABLES 1, 4 & 5

**PLATING OPTIONS**  
 -L: 10µ" SELECTIVE GOLD IN CONTACT AREA, MATTE TIN ON TAIL

**PACKAGING**  
 -TR: TAPE & REEL (SEE NOTE 3)

**TAIL OPTIONS**  
 -1: .062" THICK BOARD

**ROW**  
 -S: SINGLE ROW  
 -D: DOUBLE ROW (SEE NOTE 5)



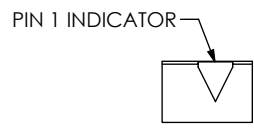
**TABLE 1**

IJ5 ASSEMBLY P/N	IJ-XX-05.0-X-XX P/N	ITJ5-X-05.0-X-X P/N
IJ5-XX-05.0-X-X-X	IJ-XX-05.0-X	ITJ5-X-05.0-X-X
IJ5-XX-05.0-X-X-X-GP	IJ-XX-05.0-X-GP	ITJ5-X-05.0-X-X

**TABLE 2**

No. OF POS PER ROW	"A" REF	"B" REF	"C"	"D" ± .005	"F"
-01	.219 [5.55]	.158 [4.00]	N/A	N/A N/A	.2590 [6.579]
-02	.376 [9.55]	.315 [8.00]	1	.1575 [4.001]	.4160 [10.566]
-04	.691 [17.55]	.630 [16.00]	3	.4725 [12.002]	.7310 [18.567]
-06	1.006 [25.55]	.945 [24.00]	5	.7875 [20.003]	1.0460 [26.568]
-08	1.321 [33.55]	1.260 [32.00]	7	1.1025 [28.004]	1.3610 [34.569]
*-10	1.636 [41.55]	1.575 [40.01]	9	1.4175 [36.005]	1.6760 [42.570]

**FIG 1**  
(IJ5-04-05.0-L-S-X-GP SHOWN)



**PARTIAL VIEW "D"-"D"**  
**SCALE 3 : 1**

**TABLE 4**

**ASSEMBLED STACK HEIGHT-7MM ONLY**

IJ5-XX-05.0-X-X-X	5.0MM [0.196]
-------------------	---------------

(\* = NOT TOOLED)

**TABLE 5**

**ASSEMBLED STACK HEIGHT - 8MM TO 16MM**

	IJ5-XX-05.0-X-X-X-GP
<b>IP5 LEAD STYLE</b>	<b>STACKHEIGHT</b>
*IP5-XX-03.0-X-X-X	8.0MM [0.315]
*IP5-XX-04.0-X-X-X	9.0MM [0.354]
IP5-XX-05.0-X-X-X	10.0MM [0.394]
*IP5-XX-06.0-X-X-X	11.0MM [0.433]
*IP5-XX-07.0-X-X-X	12.0MM [0.472]
*IP5-XX-08.0-X-X-X	13.0MM [0.512]
*IP5-XX-09.0-X-X-X	14.0MM [0.551]
*IP5-XX-10.0-X-X-X	15.0MM [0.591]
*IP5-XX-11.0-X-X-X	16.0MM [0.630]

(\* = NOT TOOLED)

**TABLE 3**

-TAIL OPTION	"E"
-1	0.060 [1.52]
*-2	0.090 [2.29]

(\* = NOT TOOLED)

- NOTES:
- ⊗ REPRESENTS A CRITICAL DIMENSION.
  - MINIMUM PUSH OUT FORCE .5 LBS. [0.23 Kg.]
  - FOR QUANTITIES UP TO 49 PCS., NO LEADER, TRAILER OR REEL WILL BE SUPPLIED, FOR QUANTITIES OF 50 TO 124 PCS., NO LEADER OR TRAILER WILL BE SUPPLIED.
  - GUIDE POST NOT AVAILABLE WHEN USED TO MAKE A ASSEMBLED 7MM STACK HEIGHT ASSEMBLY. (SEE SHEET 2, FIG. 3)
  - 1 POSITION NOT AVAILABLE WITH -D ROW OPTION.

UNLESS OTHERWISE SPECIFIED, DIMENSIONS ARE IN INCHES.

TOLERANCES ARE:  
 DECIMALS ANGLES  
 .XX: ±.01[0.3] 2°  
 .XXX: ±.005[0.13]  
 .XXXX: ±.0030[0.076]

**PROPRIETARY NOTE**  
 THIS DOCUMENT CONTAINS CONFIDENTIAL AND PROPRIETARY INFORMATION AND ALL DESIGN, MANUFACTURING, REPRODUCTION, USE, PATENT RIGHTS AND SALES RIGHTS ARE EXPRESSLY RESERVED BY SAMTEC, INC. THIS DOCUMENT SHALL NOT BE DISCLOSED, IN WHOLE OR PART, TO ANY UNAUTHORIZED PERSON OR ENTITY NOR REPRODUCED, TRANSFERRED OR INCORPORATED IN ANY OTHER PROJECT IN ANY MANNER WITHOUT THE EXPRESS WRITTEN CONSENT OF SAMTEC, INC.

**MATERIAL:** DO NOT SCALE DRAWING SHEET SCALE: 4:1  
 BODY: HIGH TEMP NYLON, COLOR: BLACK  
 SHIELD: COPPER ALLOY  
 CONTACT: COPPER ALLOY  
 DIELECTRIC: LCP, COLOR: BLACK

**samtec**  
 520 PARK EAST BLVD, NEW ALBANY, IN 47150  
 PHONE: 812-944-6733 FAX: 812-948-5047  
 e-Mail: info@SAMTEC.com code: 55322

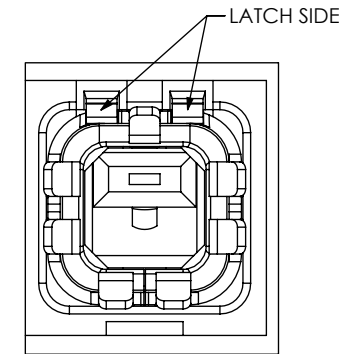
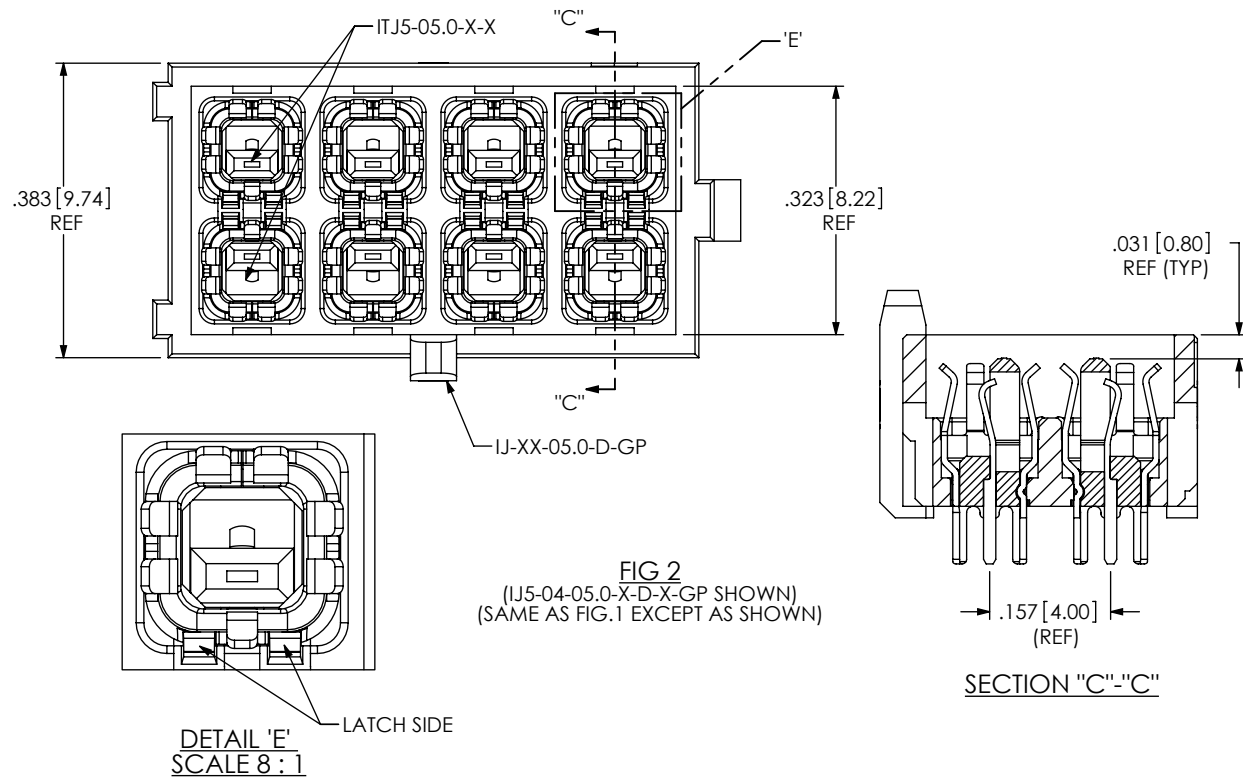
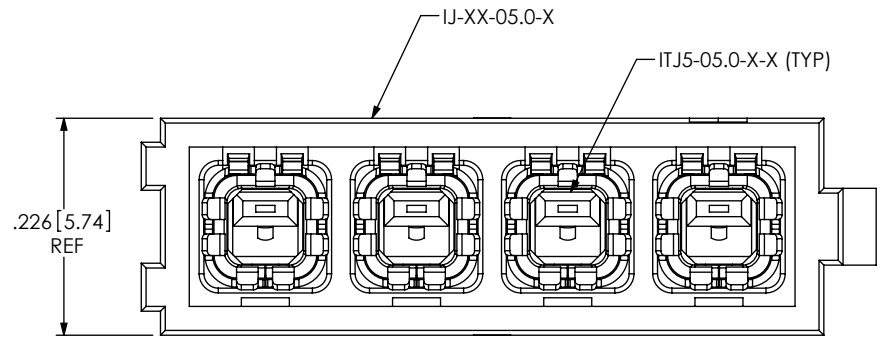
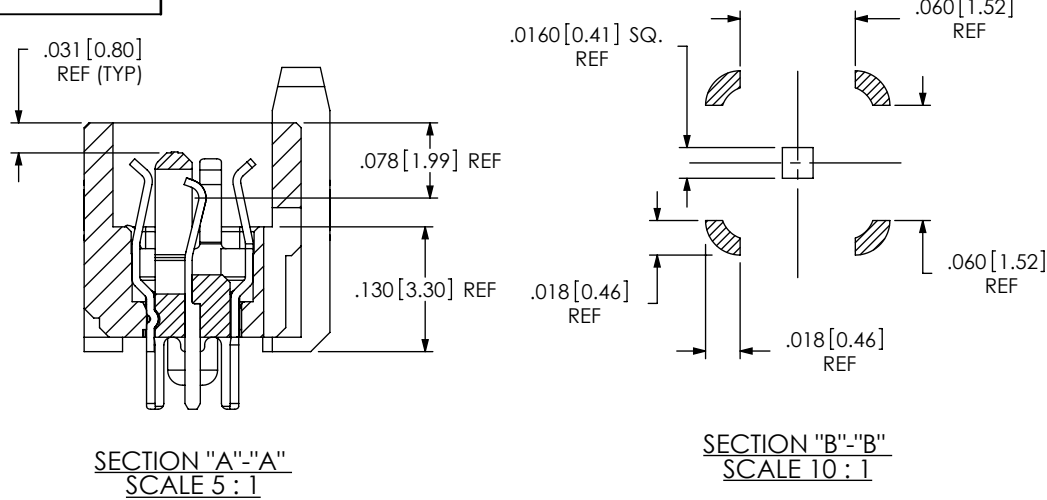
**DESCRIPTION:**  
 CONTACT ARRAY ASSEMBLY, IJ5 CONNECTOR

DWG. NO. **IJ5-XX-05.0-X-X-X-TR**

BY: PIERCE 11/20/2007 SHEET 1 OF 2

F:\DWG\MISC\MKTG\IJ5-XX-05.0-X-X-X-TR-MKT.SLDDRW

REVISION C



**PROPRIETARY NOTE**  
 THIS DOCUMENT CONTAINS CONFIDENTIAL AND PROPRIETARY INFORMATION AND ALL DESIGN, MANUFACTURING, REPRODUCTION, USE, PATENT RIGHTS AND SALES RIGHTS ARE EXPRESSLY RESERVED BY SAMTEC, INC. THIS DOCUMENT SHALL NOT BE DISCLOSED, IN WHOLE OR PART, TO ANY UNAUTHORIZED PERSON OR ENTITY NOR REPRODUCED, TRANSFERRED OR INCORPORATED IN ANY OTHER PROJECT IN ANY MANNER WITHOUT THE EXPRESS WRITTEN CONSENT OF SAMTEC, INC.

**samtec**

520 PARK EAST BLVD, NEW ALBANY, IN 47150  
 PHONE: 812-944-6733 FAX: 812-948-5047  
 e-Mail: info@SAMTEC.com code: 55322

DO NOT SCALE DRAWING

SHEET SCALE: 4:1

DESCRIPTION:  
 CONTACT ARRAY ASSEMBLY, IJ5 CONNECTOR

DWG. NO.  
 IJ5-XX-05.0-X-X-X-TR

BY: PIERCE 11/20/2007 SHEET 2 OF 2