

TABLE OF CONTENTS	
SHEET NO.	SHEET DESCRIPTION
1	NOTES AND BOM
2	CONFIGURATIONS
3	KEY CONFIGURATIONS
4	BLADE SEALED ASSEMBLY
5	SYSTEM PACKAGING

NOTES: VALID UNLESS OTHERWISE SPECIFIED

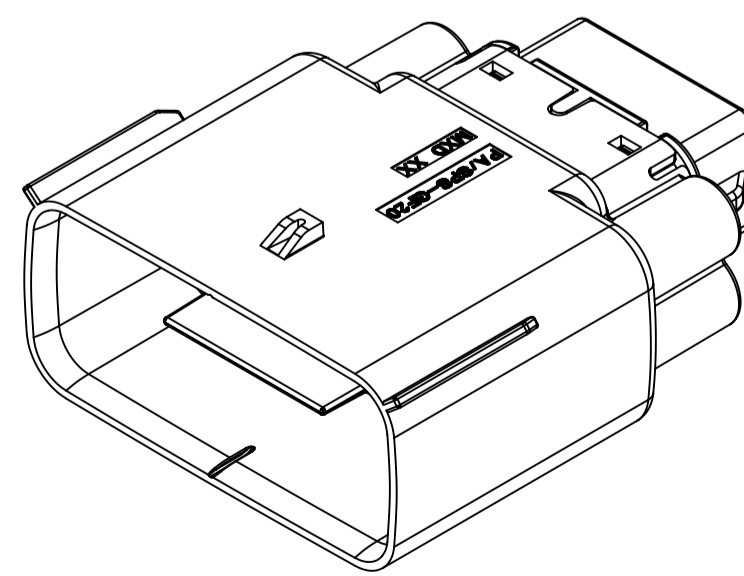
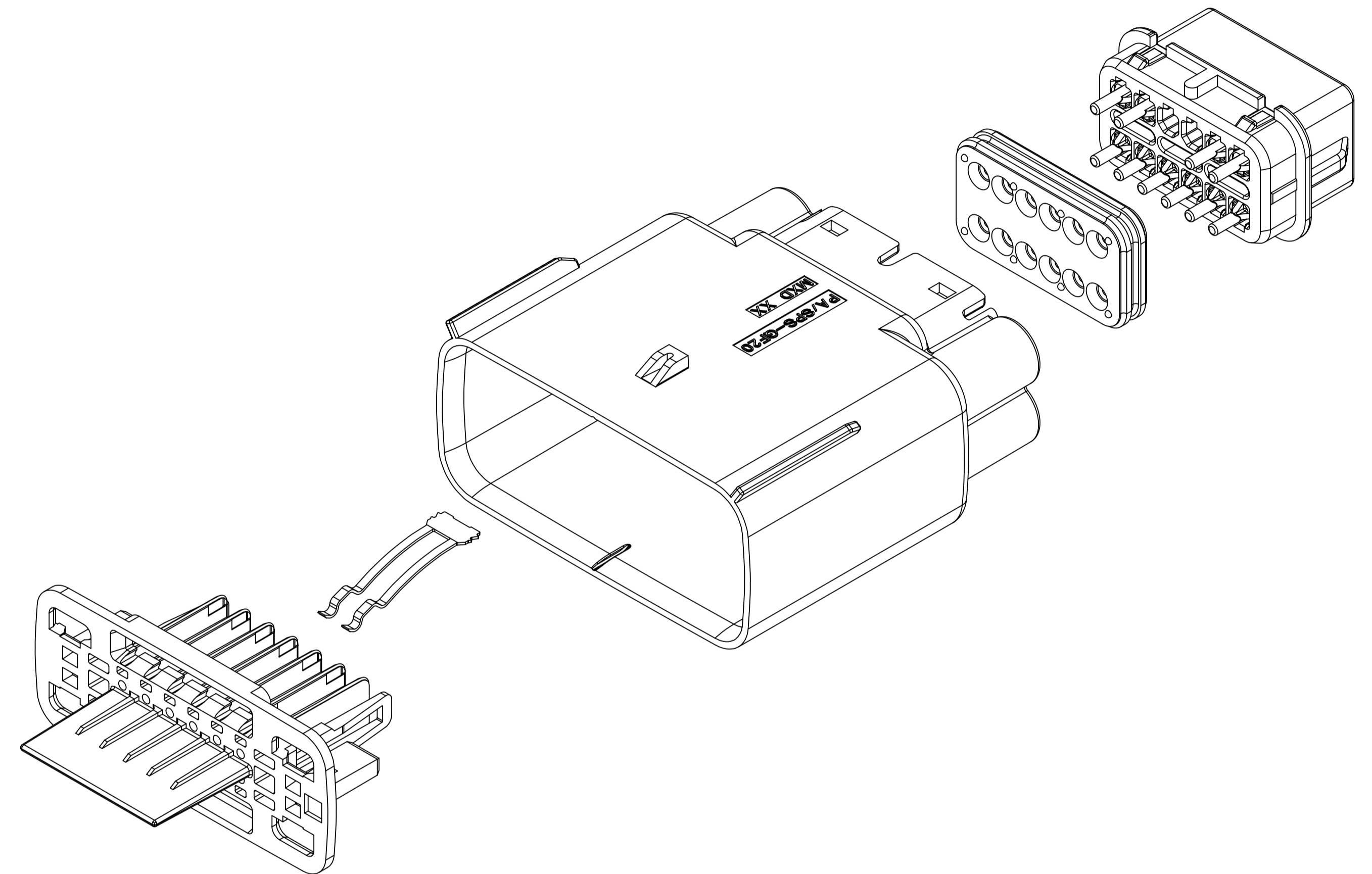
1. GENERAL:
- a. APPLICATION SPECIFICATION SEE: AS-33472-100
- CONTAINS: PRODUCT INTRODUCTION, PRODUCT SUMMARY, CONNECTOR ASSEMBLY, PACKAGING INFORMATION, CONNECTOR MATING, SERVICE INSTRUCTIONS, ELECTRICAL CONTINUITY CHECKING, CRIMPING, AND TROUBLESHOOTING.
 - DESIGNED TO MATE WITH RECEPTACLE SEALED ASSEMBLY AS SPECIFIED IN SD-34985-8001, SD-33476-161, OR SD-33476-181.
 - FOR SHORTING BAR APPLICATIONS RECEPTACLE SEALED ASSEMBLY CONFIGURATION MUST CONTAIN A PLR WITH SHORTING BAR LIFTER.
 - FOR 1.5mm BLADE TERMINALS TO BE USED WITH THE SHORTING BAR CIRCUIT LOCATIONS SEE MOLEX DRAWING SD-31296-001.
 - SHORTING BAR TERMINALS TO BE USED WITH WIRE DIAMETER RANGE OF 1.7mm TO 2.06mm.
 - SHORTING BAR TERMINAL CRIMP ANGLE MUST BE BETWEEN -1.4 DEG. AND +3.5 DEG. AFTER INSTALLATION INTO THE CONNECTOR ASSEMBLY. REFER TO MOLEX DRAWING SD-31296-001 FOR DETAILS.
 - FOR 1.5mm BLADE TERMINALS TO BE USED WITH THE NON-SHORTING BAR CIRCUIT LOCATIONS SEE MOLEX DRAWING SD-33000-001.
 - NON-SHORTING BAR TERMINALS TO BE USED WITH WIRE WITHIN DIAMETER RANGE OF 1.2mm TO 2.69mm.
 - FOR 2.8mm TERMINALS TO BE USED WITH THIS ASSEMBLY SEE TABLE.
 - 2.8mm TERMINALS TO BE USED WITH WIRE WITHIN DIAMETER RANGE OF 1.50mm TO 3.30mm.
 - ASSEMBLY SHIPPED WITH PLR IN PRE-LOCK POSITION (SEE PLR PRE-LOCK VIEW SHEET 4).
 - ASSEMBLY CONFORMS TO SAE-USCAR-2 REV.4 WITH THE FOLLOWING EXCEPTIONS:
 - TERMINAL INSERTION FORCE FOR WIRE DIAMETER ABOVE 2.5mm NOT EXCEEDING 2.69mm SHALL NOT EXCEED 45 NEWTONS.
 - PLR REMOVAL FROM FINAL-LOCK TO PRE-LOCK SHALL NOT EXCEED 75 NEWTONS.
- b. PRODUCT SPECIFICATION SEE: PS-33476-000
- CONTAINS: PRODUCT INTRODUCTION, PRODUCT SUMMARY, RATINGS (CURRENT, TEMPERATURE, SEALING, AND FLAMMABILITY), TERMINALS, WIRE DIAMETER RANGE, PRODUCT VALIDATION, AND PRODUCT DEVIATIONS.
- c. PACKAGING SPECIFICATION PER MOLEX DRAWING: PK-31300-514
- d. PARTS MUST BE IN COMPLIANCE TO MOLEX CHEMICAL SUBSTANCES FOR PRODUCTS AND PACKAGING SPECIFICATION: QEHS-699000-300
- e. DATA MUST BE SUBMITTED UNDER THE MOLEX PART NUMBER TO IMDS (COMPANY ID#13255)

2. DESIGN - MATERIALS:

- a. SEE BOM TABLE IN SD-34986-8002

3. DESIGN - GEOMETRY:

- a. THE 3-D CAD DATA IS BASIC (WITHOUT TOLERANCE) AND MASTER FOR THIS PART WITH THE EXCEPTION OF UNDERLINED DIMENSIONS. DIMENSIONAL INFORMATION NOT SHOWN ON THIS DRAWING IS DEFINED BY THE DATA FILE AT ITS LATEST REVISION.
- b. GEOMETRIC DIMENSIONS AND TOLERANCES PER ASME Y14.5M-2009
- c. EDGES AND UNDIMENSIONED DETAILS PER ISO13715
- d. CORNERS SHOWN AS SHARP TO BE R 0.2 MAX.
- e. LETTERING SHALL BE 0.15 MAX RAISED IN 0.25 MAX RECESS PAD. THIS INCLUDES RECYCLING CODE, CAVITY ID, VENDOR IDENTIFICATION, AND CUSTOMER MATERIAL NUMBER.
- f. VISUAL DEFECTS SHALL MEET COSMETIC STANDARD PS-45499-002 (Class B).
- g. LASER MARKING:
1. PART NUMBER
 2. DAY OF THE YEAR
 3. SHIFT
 4. YEAR
- FOR ADDITIONAL INFORMATION SEE SECTION 5 UNDER PROCEDURES IN ES-34735-008.



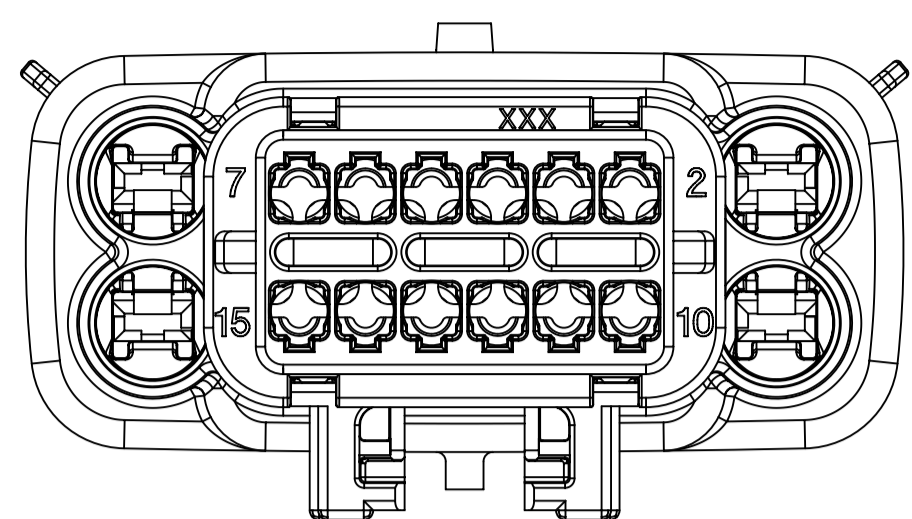
TYCO 2.8mm CABLE SEAL TERMINAL	
FORD P/N MALE BLADE	GRIP SIZE
3F2T-14421-GA	12
IFIT-14421-JA	14
IFIT-14421-HA	16
IFIT-14421-GA	18
IFIT-14421-FA	20
IFIT-14421-EA	22

INSPECTION NUMBER LOG	
REV	REV DESCRIPTION
C1	1. UPDATED THE VIEWS IN SHEET 2 2. CHANGED THE DIM 15.00+/-0.10 TO 15.00+0.30/-0.20 IN SHEET 4
C	REDRAWN MOVED BOM TO SD-34986-8002

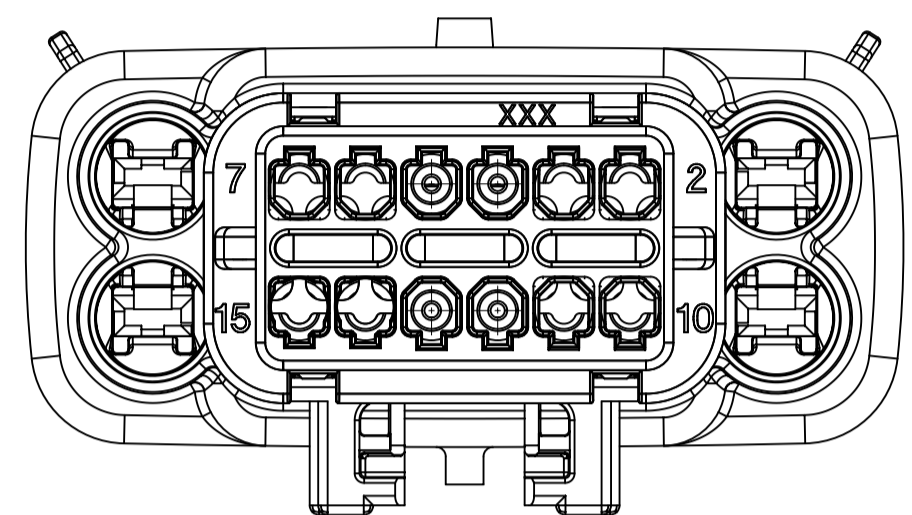
SYMBOLS		THIS DRAWING CONTAINS INFORMATION THAT IS PROPRIETARY TO MOLEX ELECTRONIC TECHNOLOGIES, LLC AND SHOULD NOT BE USED WITHOUT WRITTEN PERMISSION	
DIMENSION UNITS	SCALE	CURRENT REV DESC:	
= 0	mm	1.5:1	
= 0	GENERAL TOLERANCES (UNLESS SPECIFIED)		
= 0	ANGULAR TOL	± 3.0°	
= 0	4 PLACES	±	
= 0	3 PLACES	±	
= 0	2 PLACES	± 0.1	
= 0	1 PLACE	± 0.3	
= 0	0 PLACES	±	
= 0	DRAFT WHERE APPLICABLE MUST REMAIN WITHIN DIMENSIONS		
	THIRD ANGLE PROJECTION	DRAWING	SERIES
	A1-SIZE	34986	
EC NO: 177763		2018/05/30	
DRWN: LSONG05		2018/06/12	
CHK'D: MVANSLAMBROU		2018/06/12	
APPR: MVANSLAMBROU		2018/06/12	
INITIAL REVISION:		2013/05/06	
DRWN: APROFFITT		2013/05/16	
APPR: VKOSHY		2013/05/16	
DOCUMENT NUMBER		DOC TYPE	DOC PART
SD-34986-8001		PSD	001
REVISION		C1	
MATERIAL NUMBER		CUSTOMER	
GENERAL MARKET		SHEET NUMBER	
1 OF 5			

SHEET DESCRIPTION

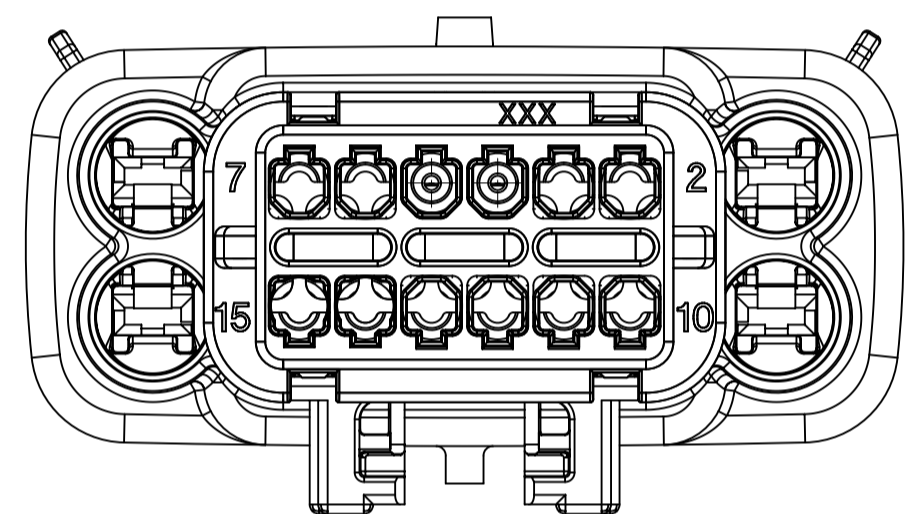
CONFIGURATIONS



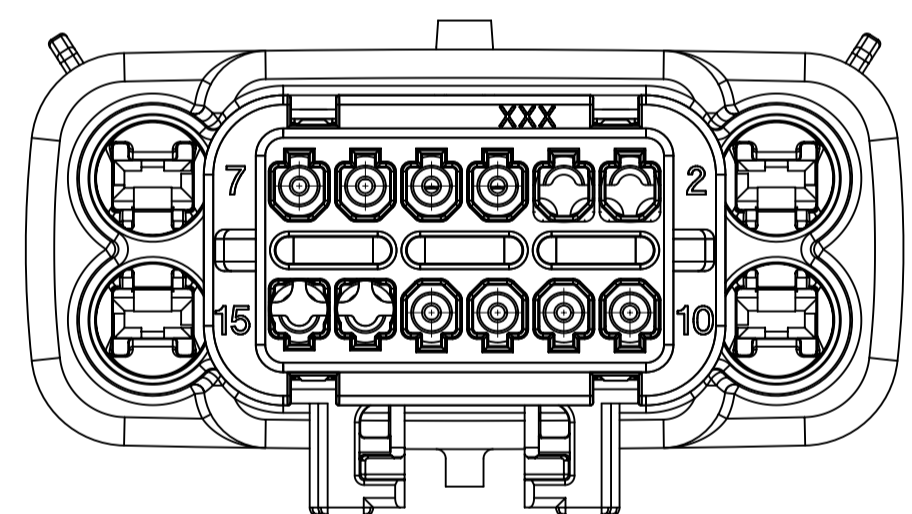
STANDARD GROMMET CAP



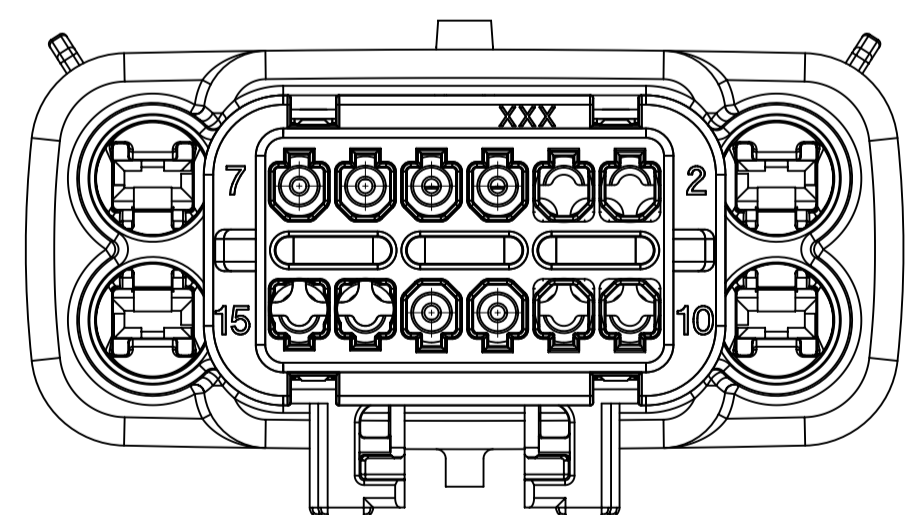
SHORTING BAR GROMMET CAP 1



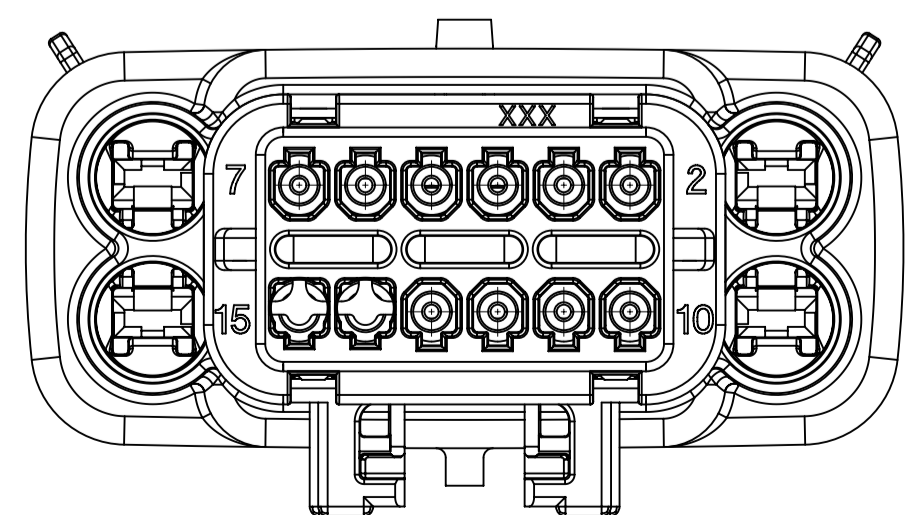
SHORTING BAR GROMMET CAP 2



SHORTING BAR GROMMET CAP 3



SHORTING BAR GROMMET CAP 4

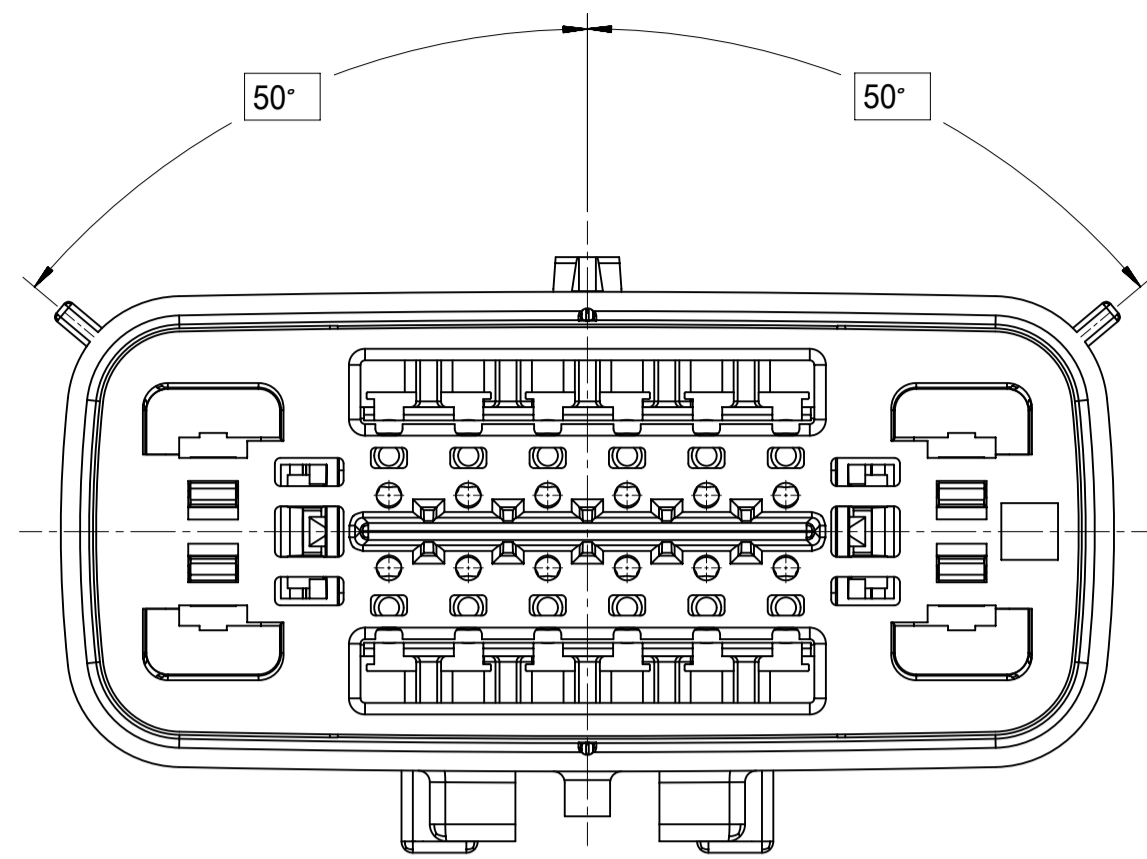


SHORTING BAR GROMMET CAP 5

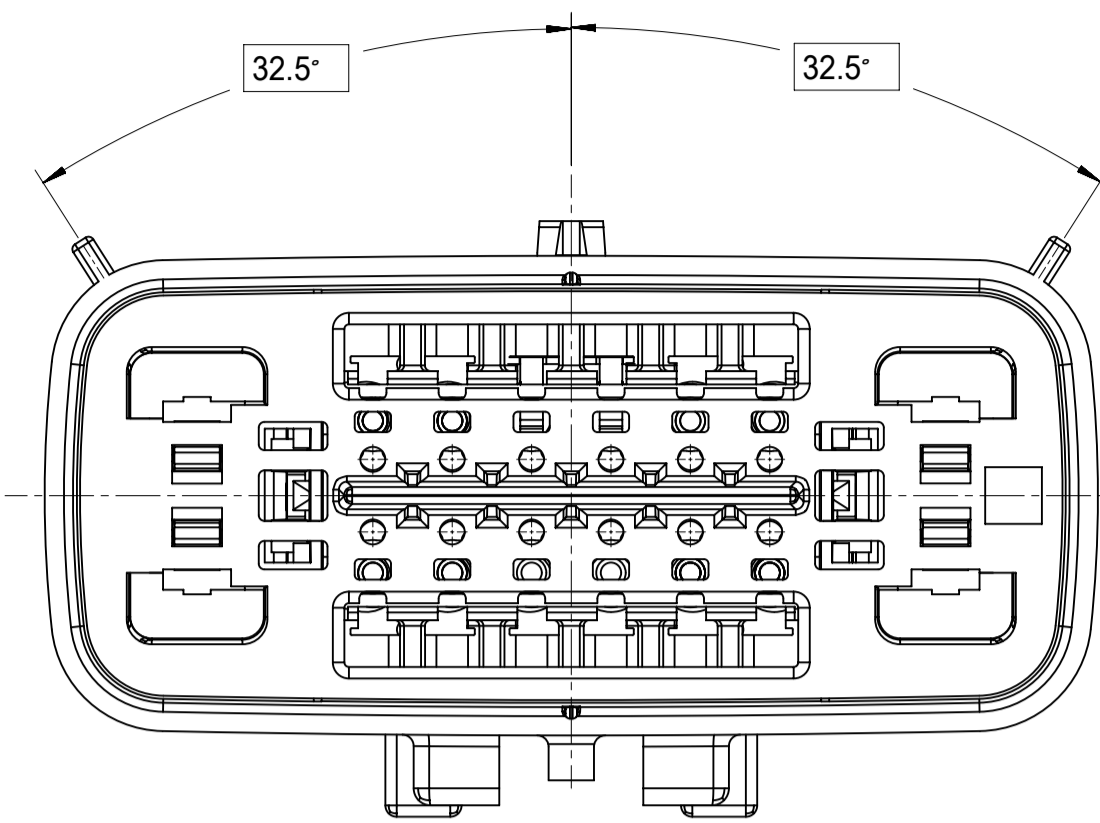
SYMBOLS	THIS DRAWING CONTAINS INFORMATION THAT IS PROPRIETARY TO MOLEX ELECTRONIC TECHNOLOGIES, LLC AND SHOULD NOT BE USED WITHOUT WRITTEN PERMISSION		CURRENT REV DESC:				
	DIMENSION UNITS	SCALE					
▽ = 0	mm	2.5:1	GENERAL TOLERANCES (UNLESS SPECIFIED)		PRODUCT CUSTOMER DRAWING DOCUMENT NUMBER: SD-34986-8001 DOC TYPE: PSD DOC PART: 001 REVISION: C1		
▽ = 0							
▽ = 0	ANGULAR TOL ± 3.0°		INITIAL REVISION:		MATERIAL NUMBER: 34986 CUSTOMER: GENERAL MARKET SHEET NUMBER: 2 OF 5		
▽ = 0	4 PLACES ±		DRWN: APROFFITT 2013/05/06				
▽ = 0	3 PLACES ±		APPR: VKOSHY 2013/05/16		THIRD ANGLE PROJECTION: DRAWING: A1-SIZE SERIES: 34986		
▽ = 0	2 PLACES ± 0.1						
▽ = 0	1 PLACE ± 0.3				DRAFT WHERE APPLICABLE MUST REMAIN WITHIN DIMENSIONS		
▽ = 0	0 PLACES ±						
▽ = 0	DRAFT WHERE APPLICABLE MUST REMAIN WITHIN DIMENSIONS						

SHEET DESCRIPTION

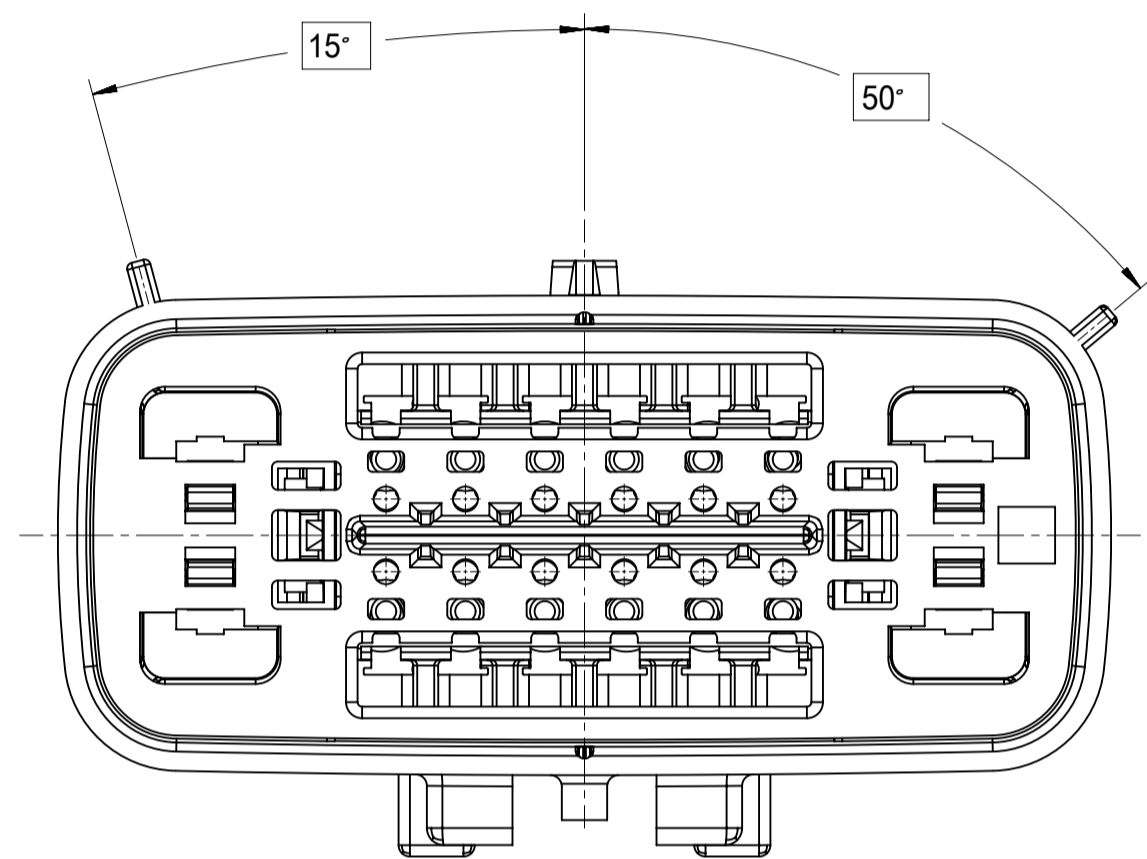
KEY CONFIGURATIONS



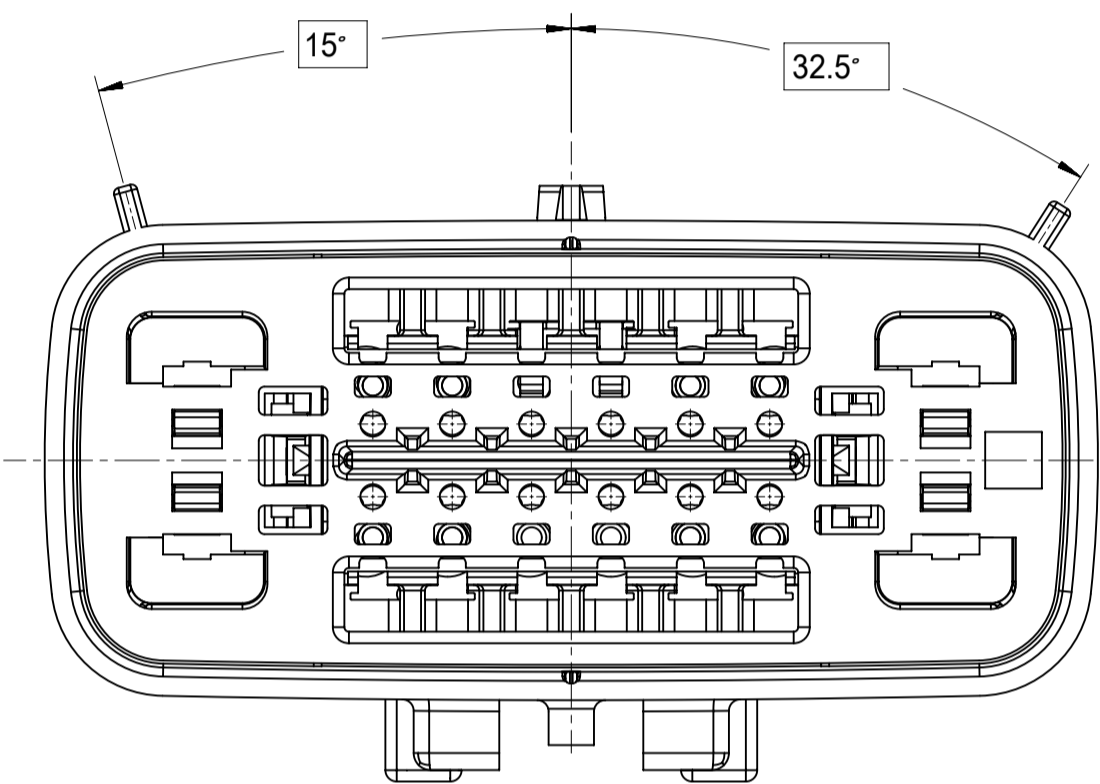
KEY A



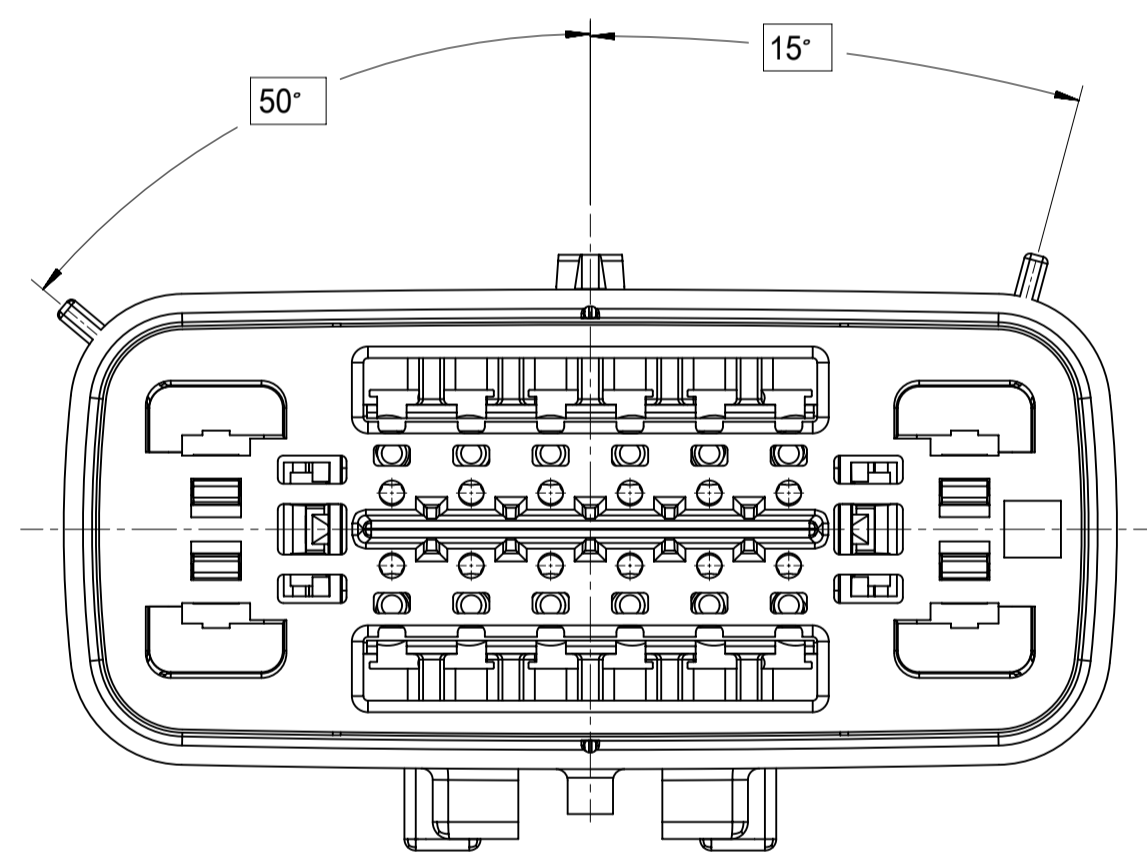
KEY E



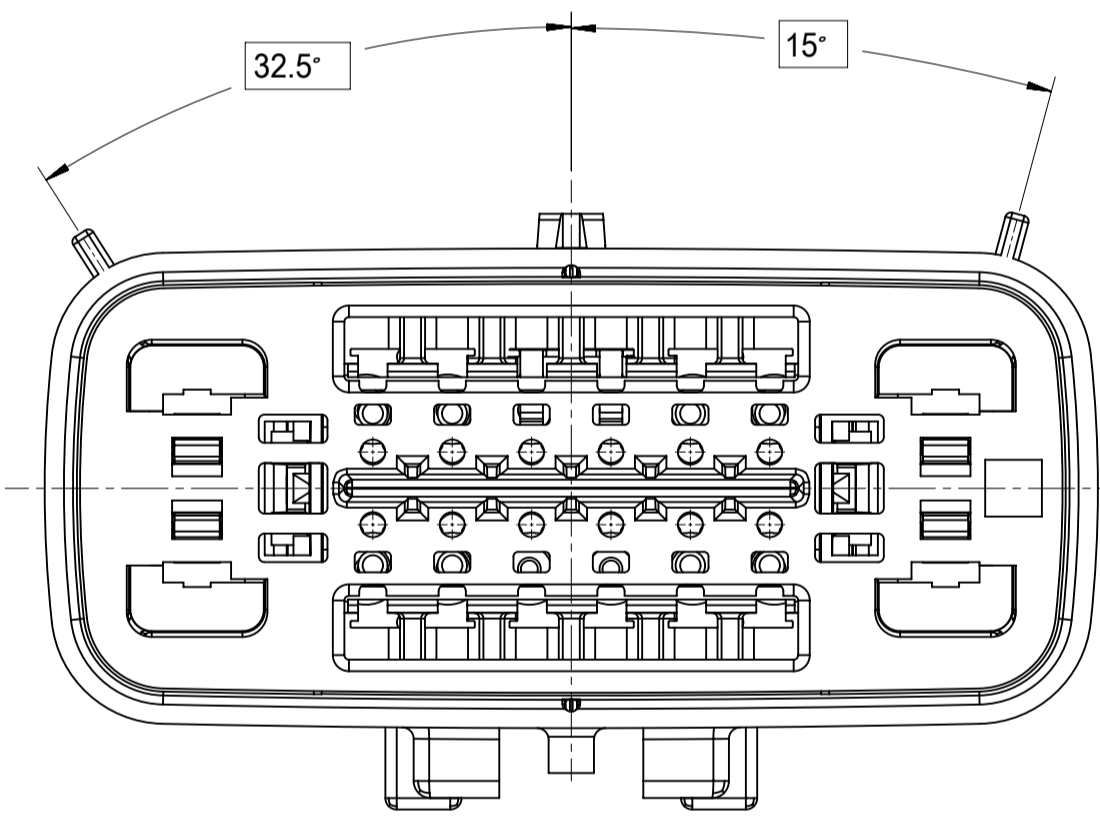
KEY B



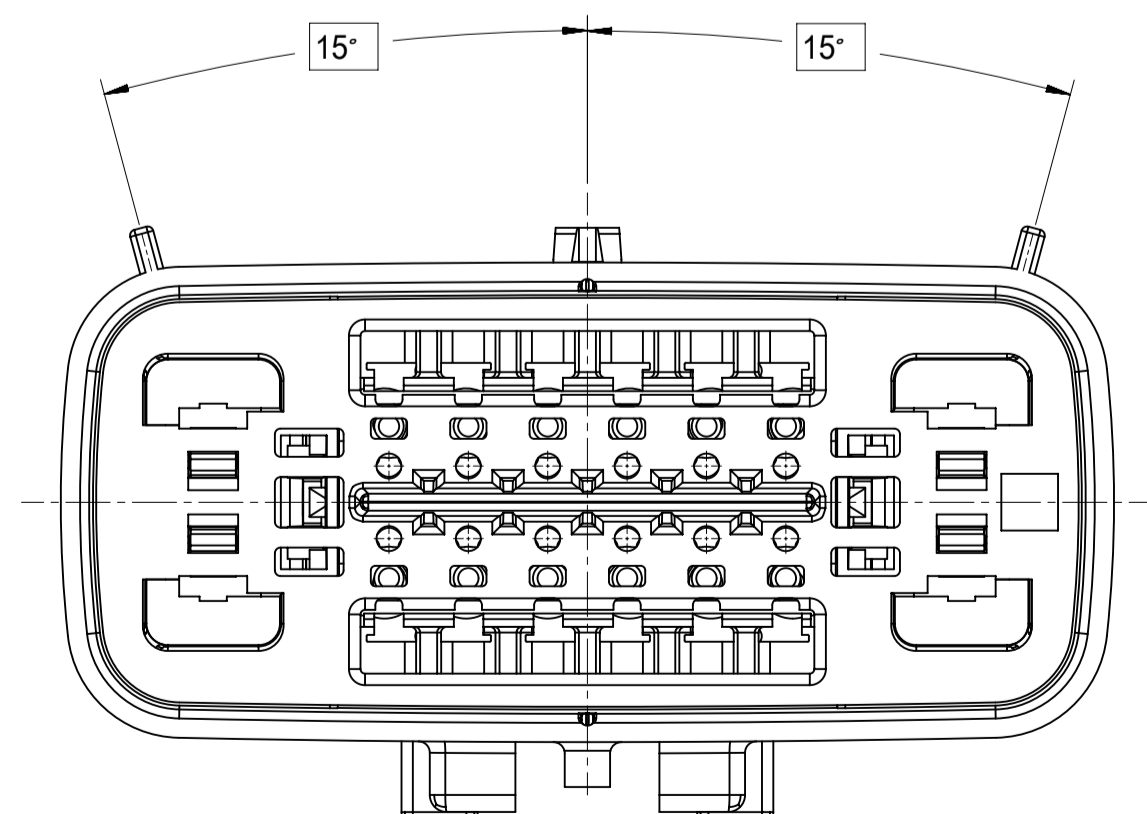
KEY F



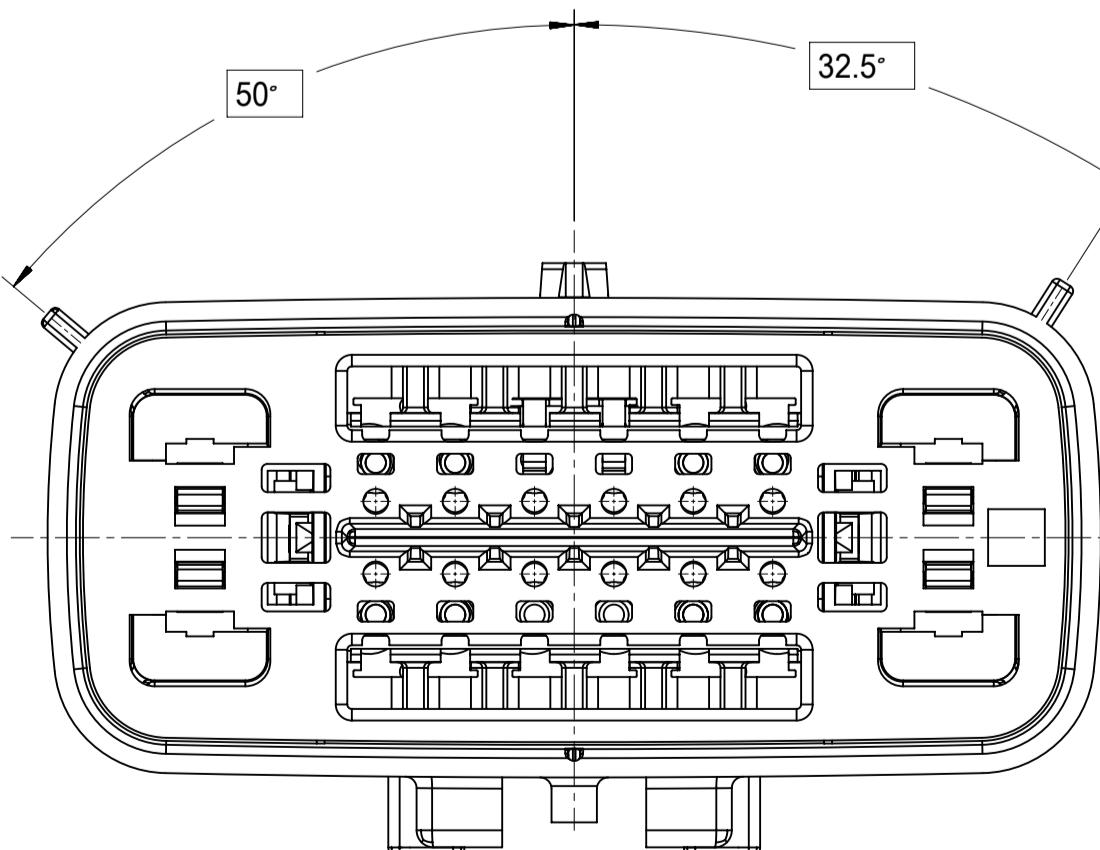
KEY C



KEY G



KEY D

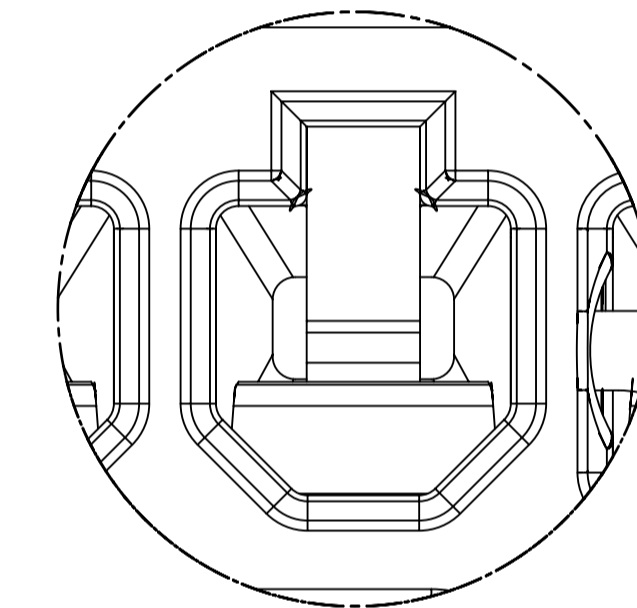
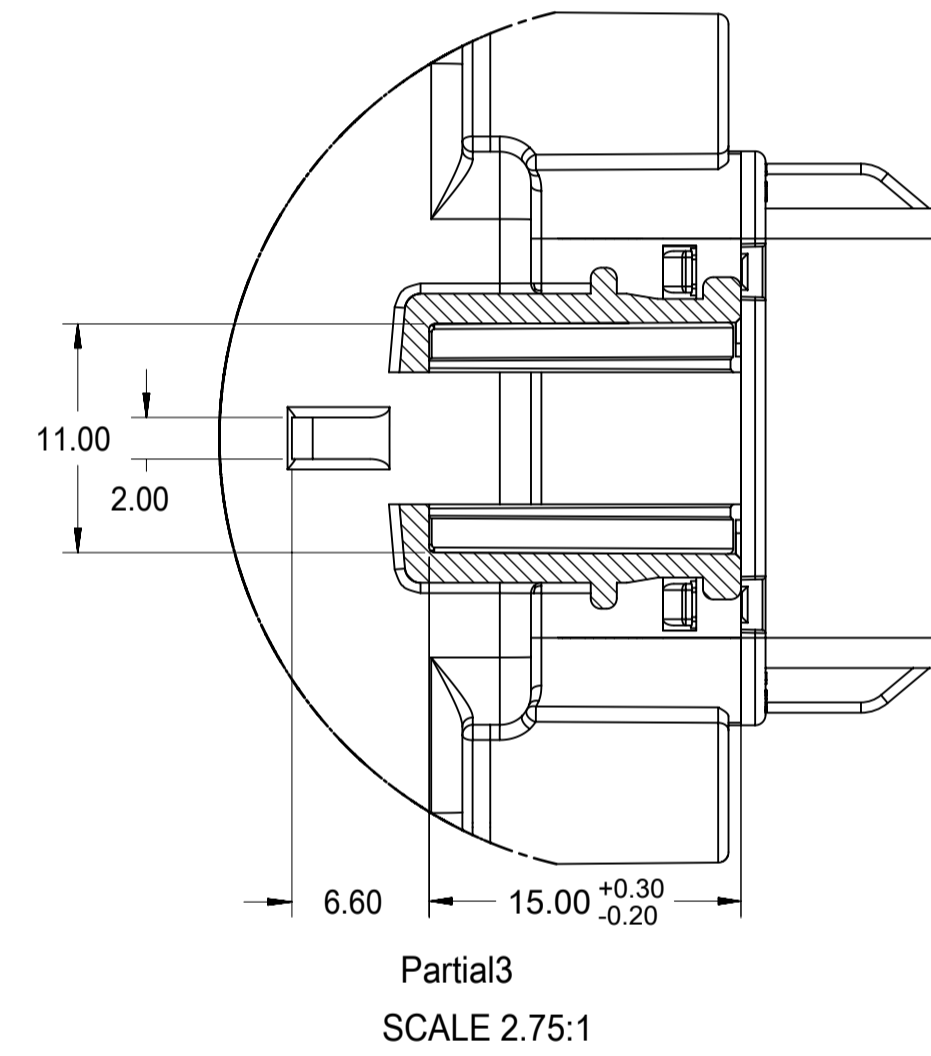
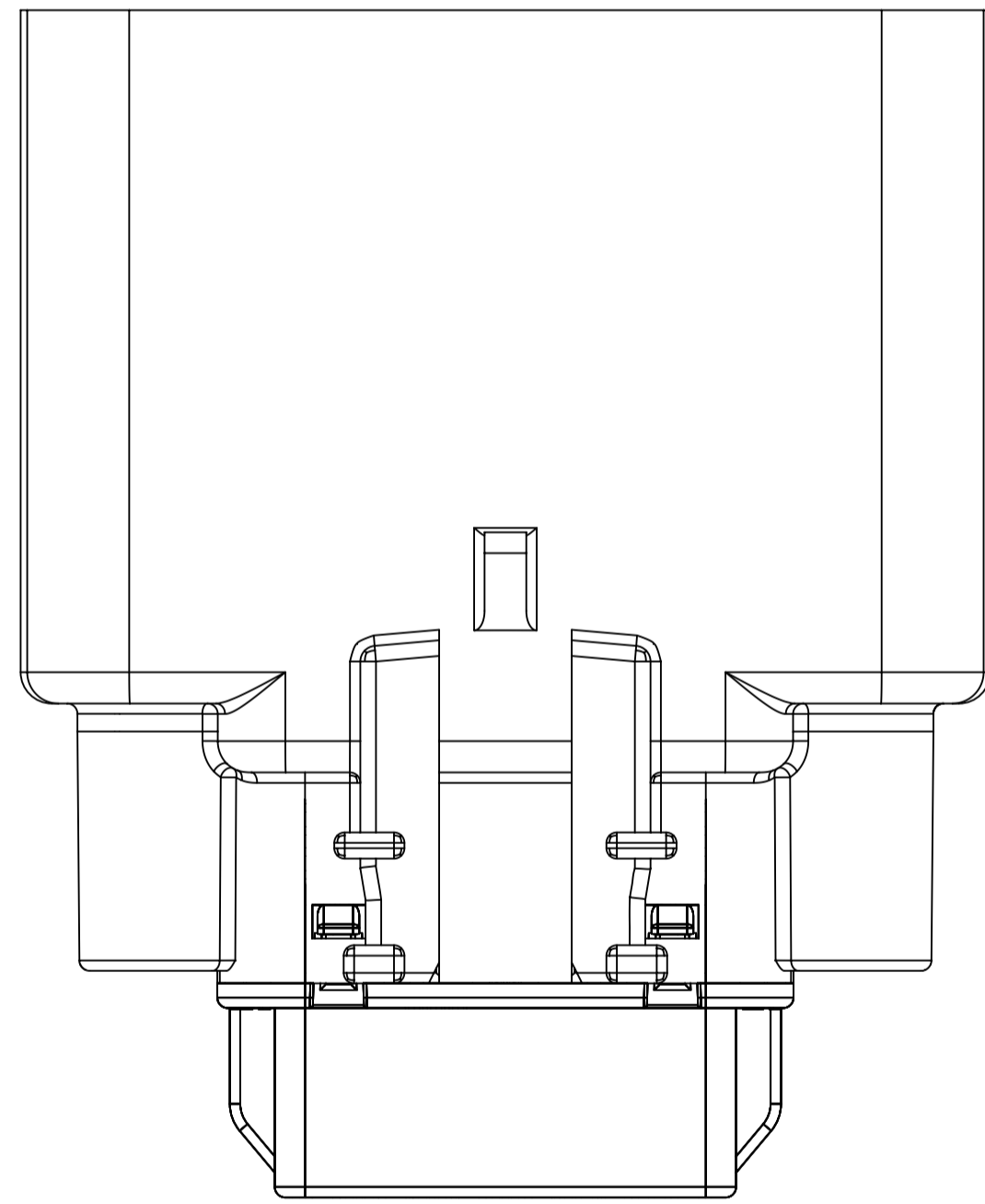
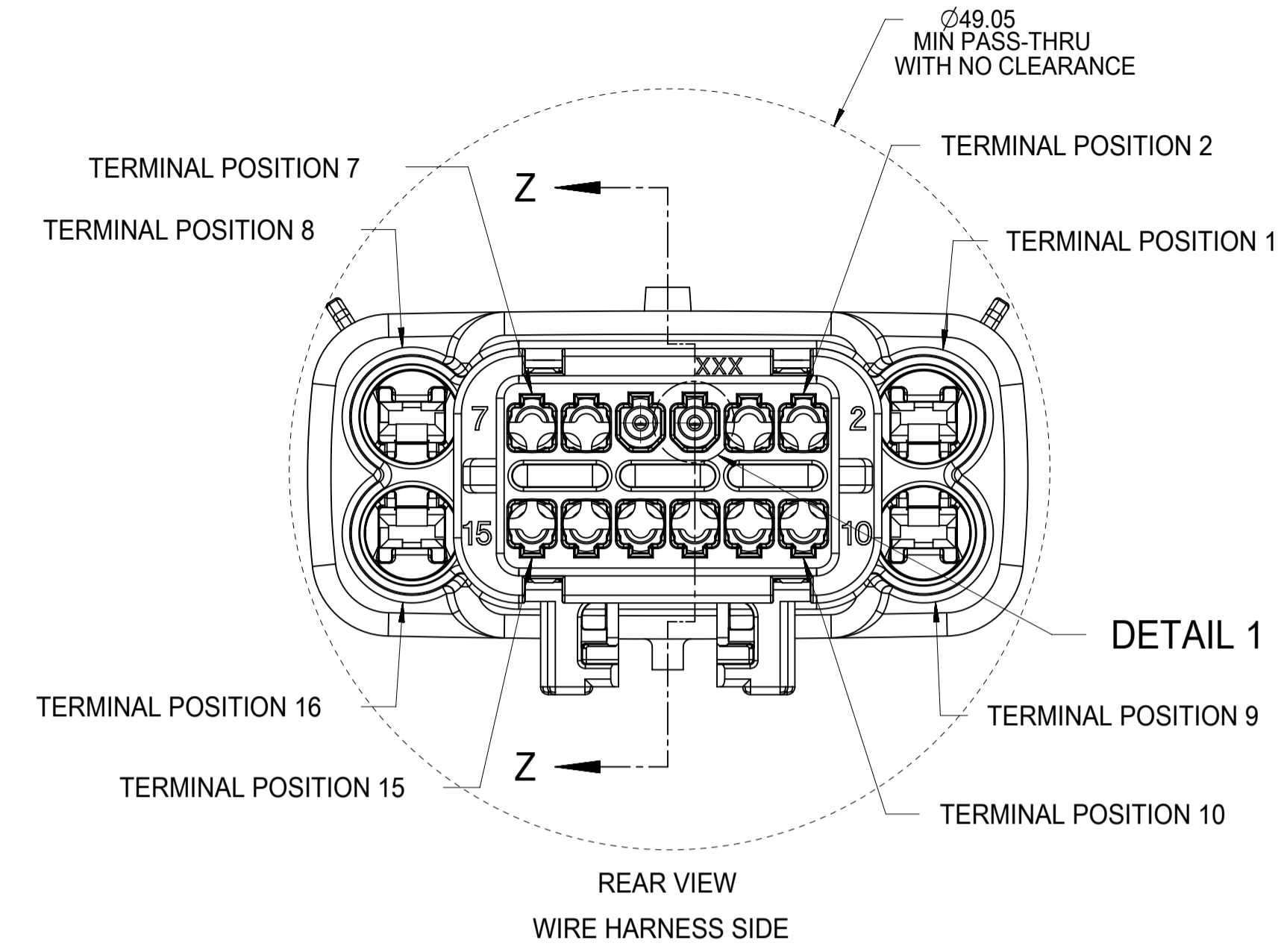
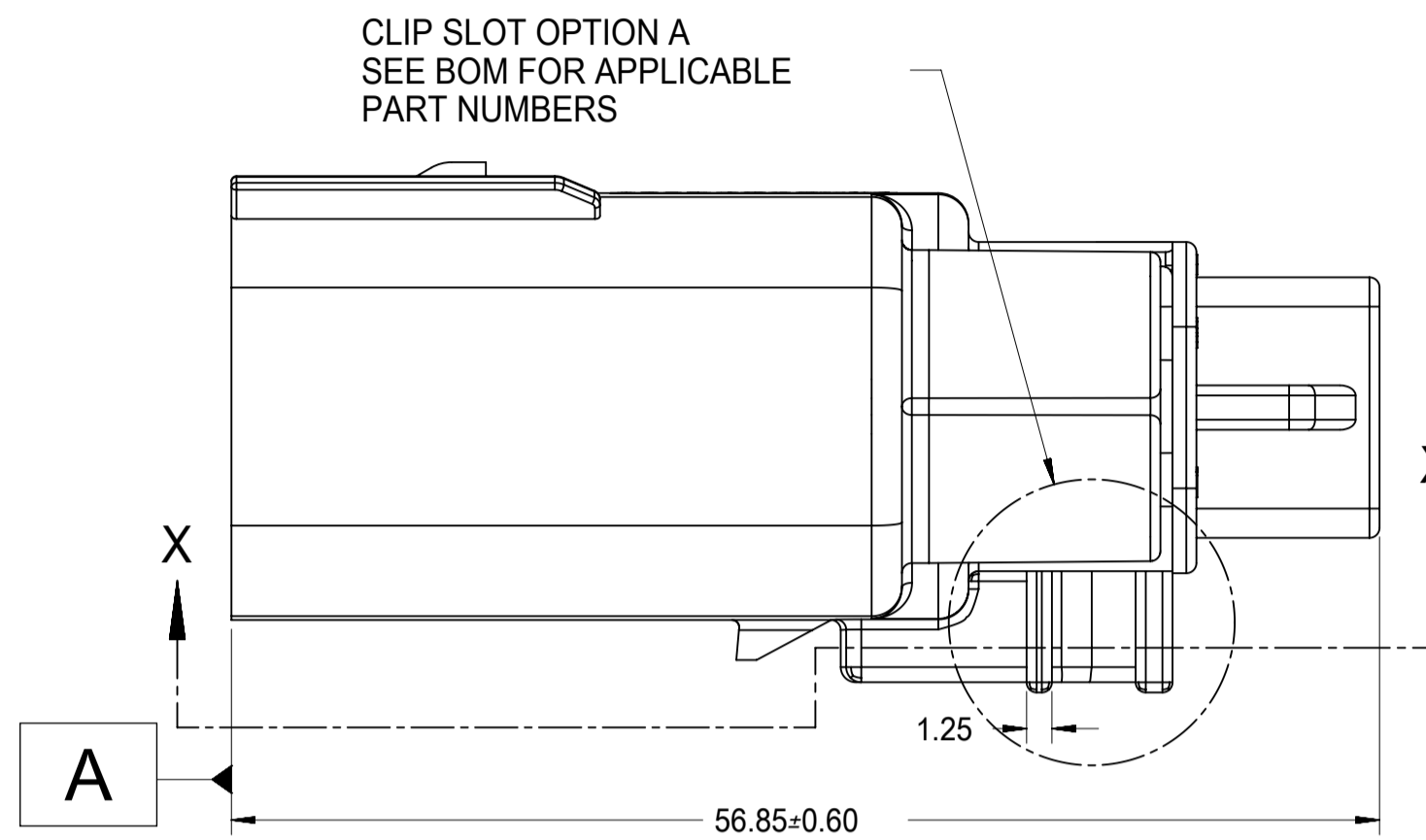
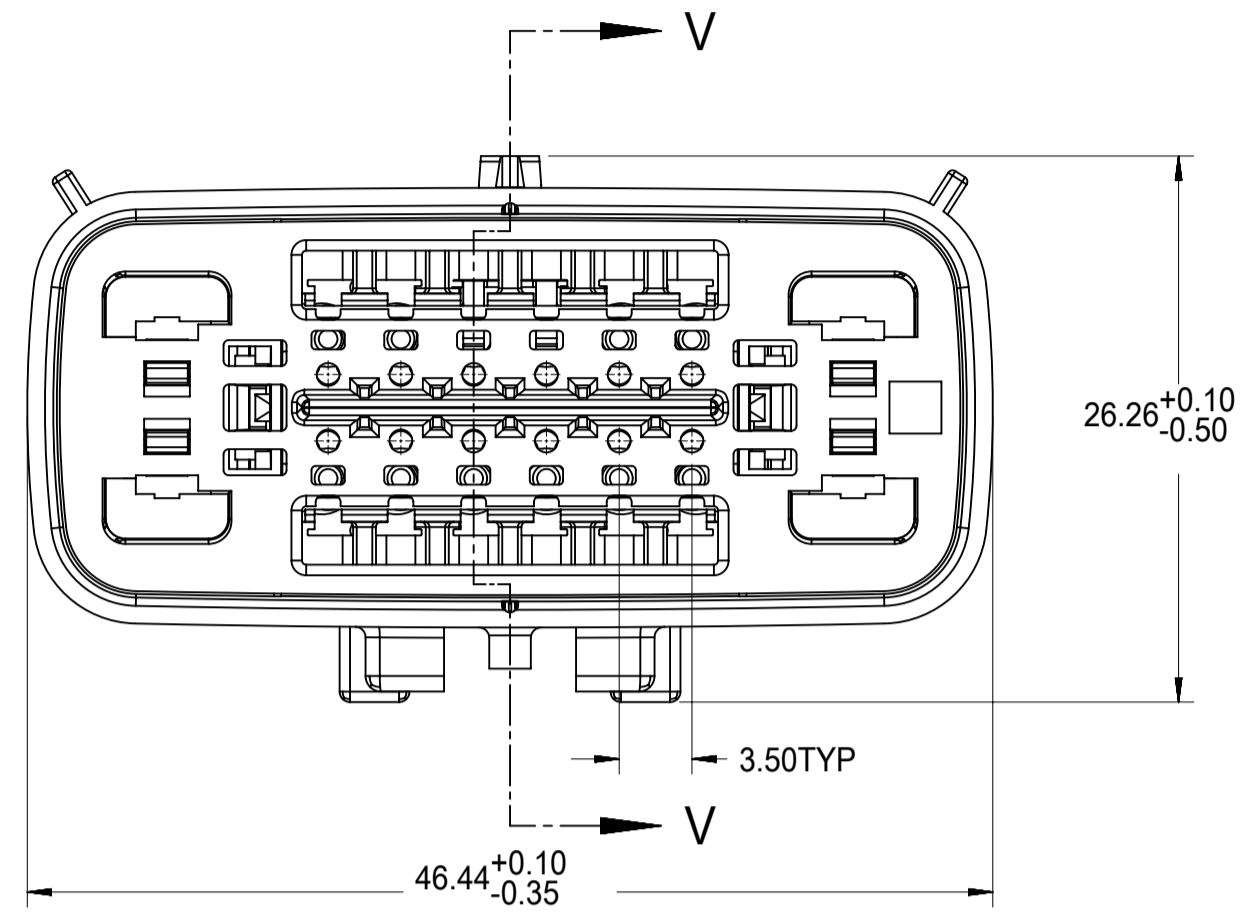
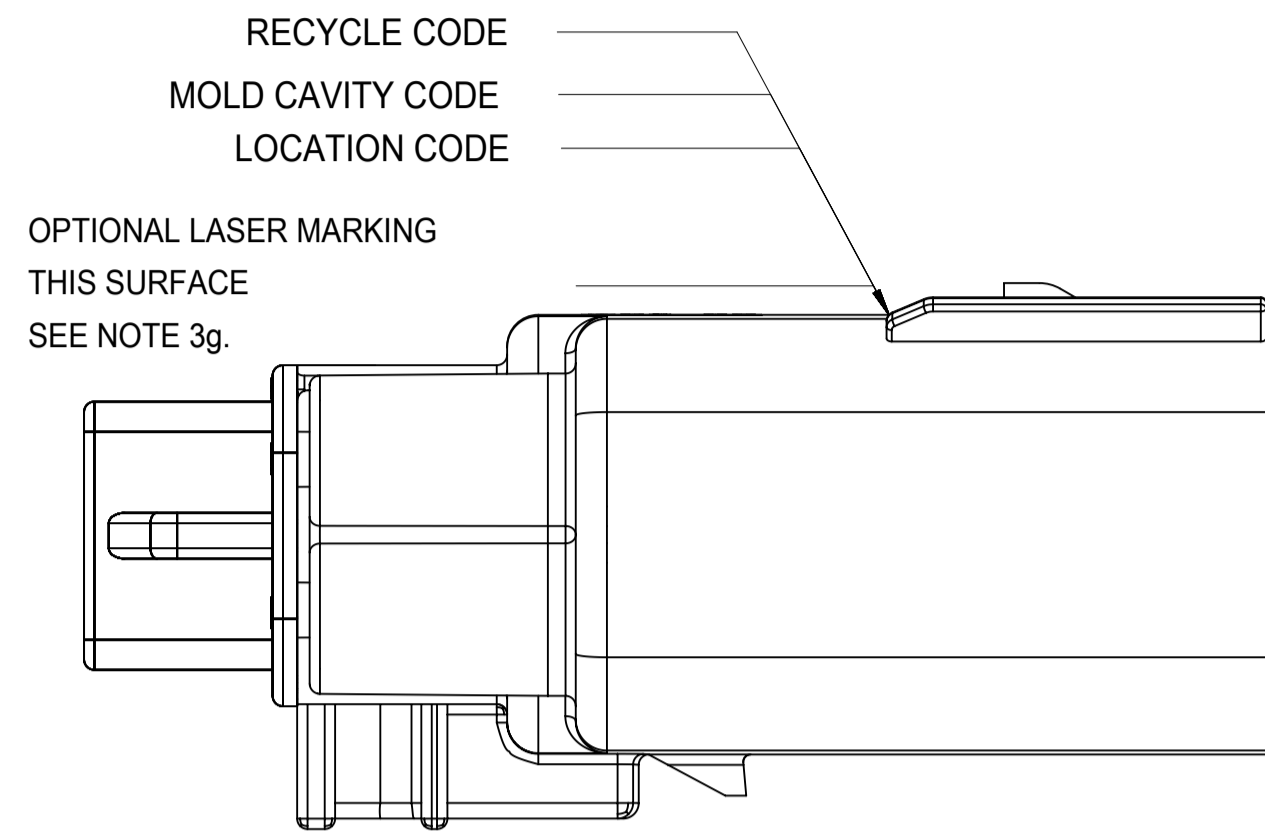


KEY H

SYMBOLS	THIS DRAWING CONTAINS INFORMATION THAT IS PROPRIETARY TO MOLEX ELECTRONIC TECHNOLOGIES, LLC AND SHOULD NOT BE USED WITHOUT WRITTEN PERMISSION		CURRENT REV DESC:		
	DIMENSION UNITS	SCALE			
▽ = 0	mm	3:1			MX150 16 WAY HYBRID BLADE SEALED ASSEMBLY
▽ = 0	GENERAL TOLERANCES (UNLESS SPECIFIED)				
▽ = 0	ANGULAR TOL ± 3.0°		EC NO: 177763		PRODUCT CUSTOMER DRAWING
▽ = 0	4 PLACES ±		DRWN: LSONG05 2018/05/30		
▽ = 0	3 PLACES ±		CHK'D: MVANSLAMBROU 2018/06/12		
▽ = 0	2 PLACES ± 0.1		APPR: MVANSLAMBROU 2018/06/12		
▽ = 0	1 PLACE ± 0.3		INITIAL REVISION:		
▽ = 0	0 PLACES ±		DRWN: APROFFITT 2013/05/06		
▽ = 0	DRAFT WHERE APPLICABLE MUST REMAIN WITHIN DIMENSIONS		APPR: VKOSHY 2013/05/16		
⊙	THIRD ANGLE PROJECTION	DRAWING	SERIES	MATERIAL NUMBER	DOCUMENT NUMBER
⊙		A1-SIZE	34986		SD-34986-8001
				CUSTOMER	DOC TYPE DOC PART REVISION
				GENERAL MARKET	PSD 001 C1
					SHEET NUMBER
					3 OF 5

SHEET DESCRIPTION

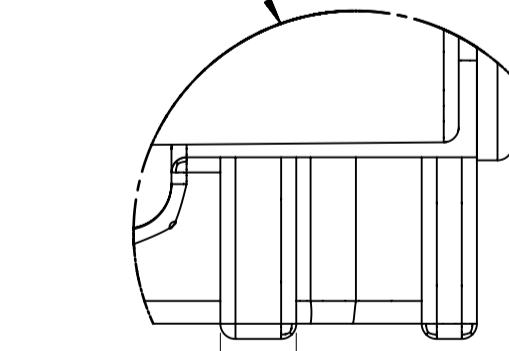
BLADE SEALED ASSEMBLY



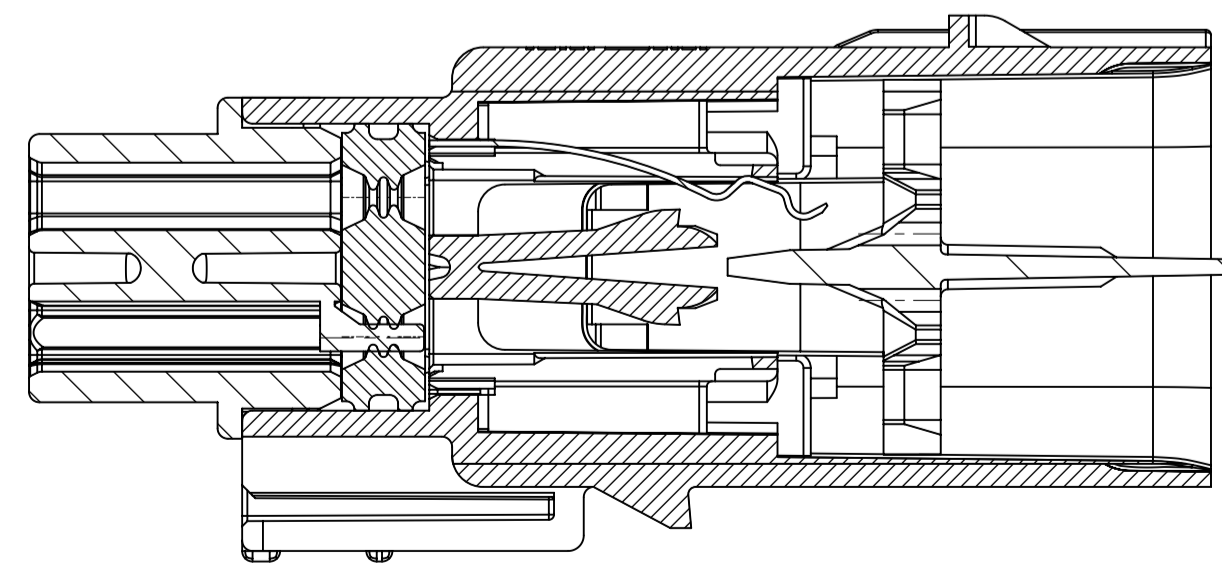
SHORTING BAR (SB) CIRCUITS ARE IDENTIFIED BY THE GROMMET CAP OPENING FEATURE SHOWN ABOVE.

DETAIL 1
SCALE 15:1

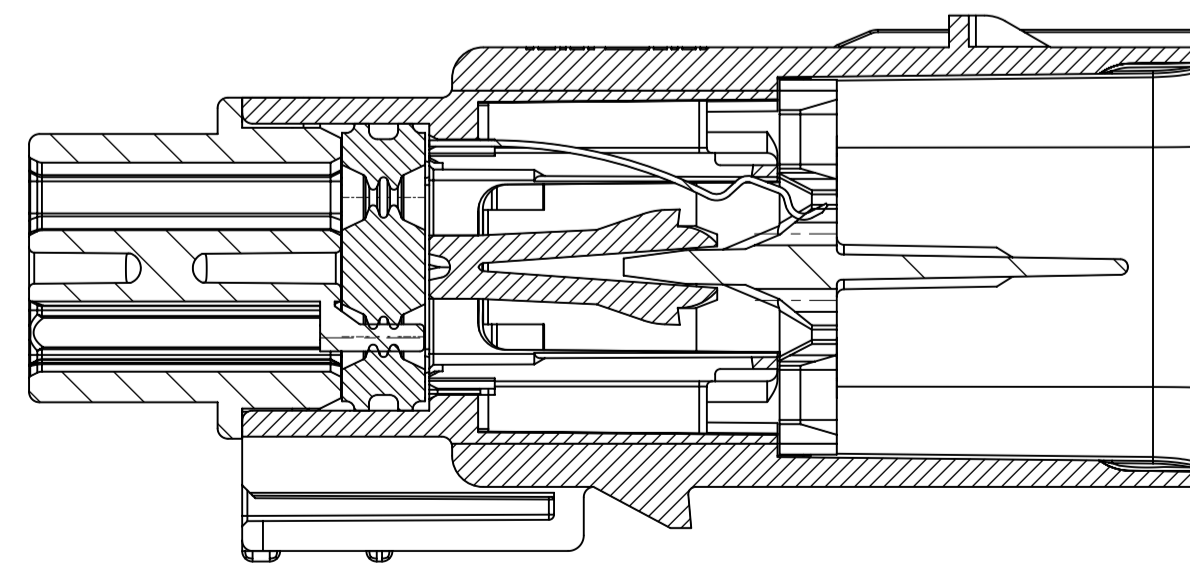
CLIP SLOT OPTION B
SEE BOM FOR APPLICABLE
PART NUMBERS



Partial1
SCALE 4:1



PRIMARY LOCK REINFORCEMENT (PLR) SHOWN
IN PRE-STAGED POSITION
SECTION Z-Z

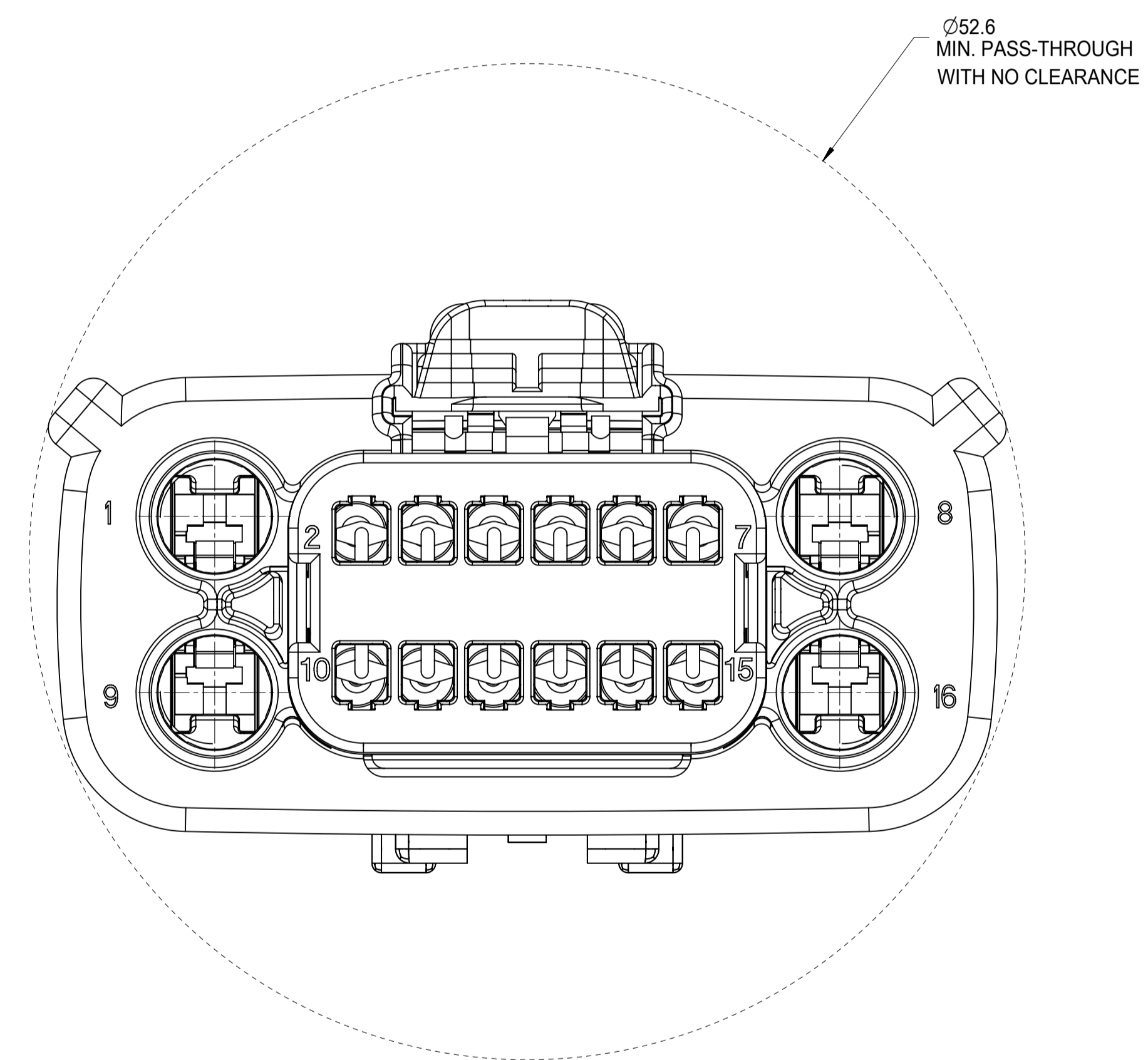
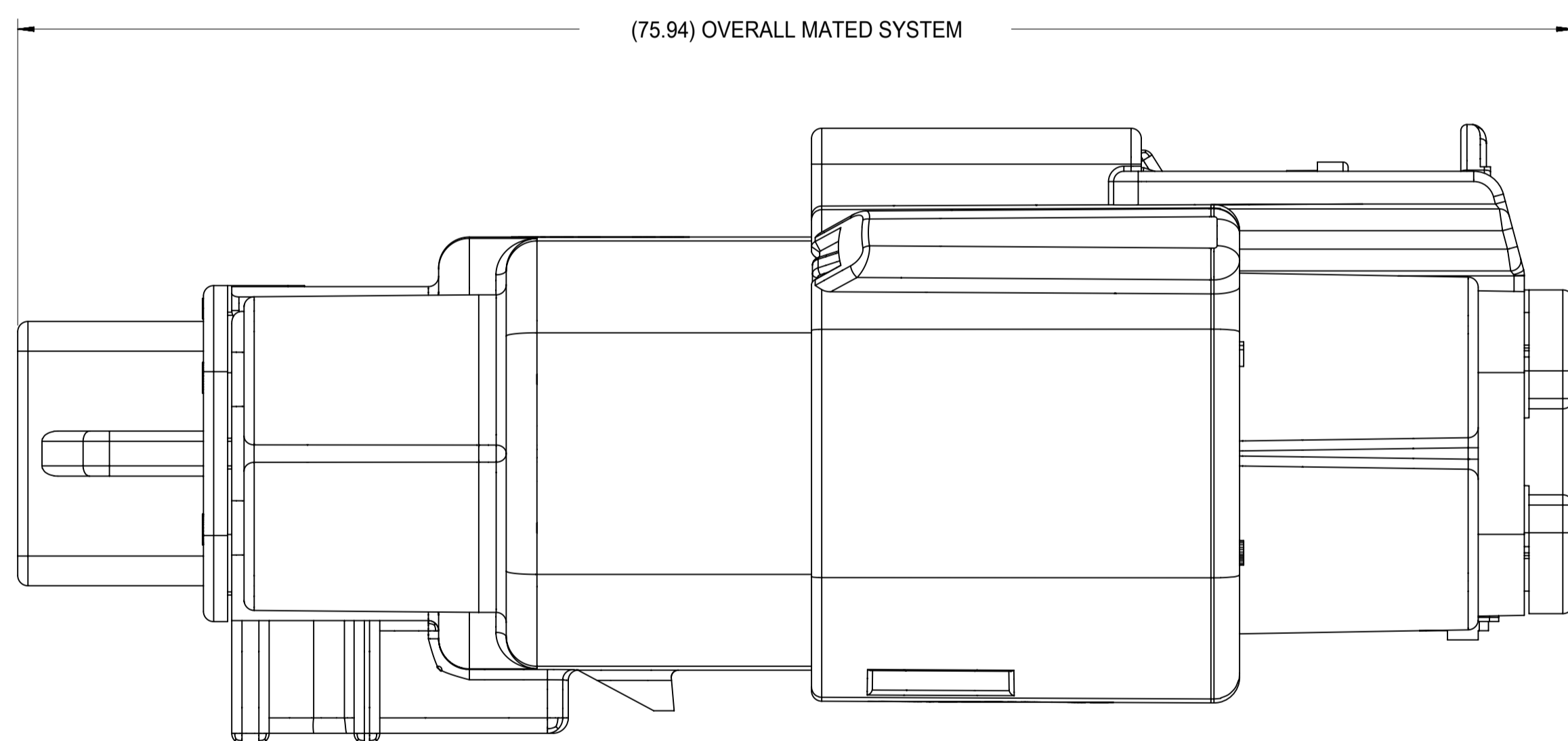


PRIMARY LOCK REINFORCEMENT (PLR) SHOWN
IN FINAL-LOCK POSITION
SECTION V-V

SYMBOLS		THIS DRAWING CONTAINS INFORMATION THAT IS PROPRIETARY TO MOLEX ELECTRONIC TECHNOLOGIES, LLC AND SHOULD NOT BE USED WITHOUT WRITTEN PERMISSION		CURRENT REV DESC:		molex	
	= 0	DIMENSION UNITS	SCALE				
	= 0	mm	3:1				
	= 0	GENERAL TOLERANCES (UNLESS SPECIFIED)		EC NO: 177763			
	= 0	ANGULAR TOL ± 3.0°		DRWN: LSONG05 2018/05/30			
	= 0	4 PLACES	±	CHK'D: MVANSLAMBROU 2018/06/12			
	= 0	3 PLACES	±	APPR: MVANSLAMBROU 2018/06/12			
	= 0	2 PLACES	± 0.1	INITIAL REVISION:			
	= 0	1 PLACE	± 0.3	DRWN: APROFFITT 2013/05/06			
	= 0	0 PLACES	±	APPR: VKOSHY 2013/05/16			
	= 0	DRAFT WHERE APPLICABLE MUST REMAIN WITHIN DIMENSIONS		THIRD ANGLE PROJECTION	DRAWING	SERIES	
	= 0				A1-SIZE	34986	
				MATERIAL NUMBER		CUSTOMER	SHEET NUMBER
				SD-34986-8001		GENERAL MARKET	4 OF 5

SHEET DESCRIPTION

SYSTEM PACKAGING



SYMBOLS		THIS DRAWING CONTAINS INFORMATION THAT IS PROPRIETARY TO MOLEX ELECTRONIC TECHNOLOGIES, LLC AND SHOULD NOT BE USED WITHOUT WRITTEN PERMISSION		CURRENT REV DESC:		molex	
▽ = 0	DIMENSION UNITS	mm	SCALE	3:1		MX150 16 WAY HYBRID BLADE SEALED ASSEMBLY	
▽ = 0	GENERAL TOLERANCES (UNLESS SPECIFIED)		EC NO: 177763		PRODUCT CUSTOMER DRAWING		
▽ = 0	ANGULAR TOL ± 3.0°		DRWN: LSONG05 2018/05/30		DOCUMENT NUMBER		DOC TYPE DOC PART REVISION
▽ = 0	4 PLACES ±		CHK'D: MVANSLAMBROU 2018/06/12		SD-34986-8001		PSD 001 C1
▽ = 0	3 PLACES ±		APPR: MVANSLAMBROU 2018/06/12		MATERIAL NUMBER		CUSTOMER
▽ = 0	2 PLACES ± 0.1		INITIAL REVISION:		SERIES		SHEET NUMBER
▽ = 0	1 PLACE ± 0.3		DRWN: APROFFITT 2013/05/06		34986		5 OF 5
▽ = 0	0 PLACES ±		APPR: VKOSHY 2013/05/16		GENERAL MARKET		
▽ = 0	DRAFT WHERE APPLICABLE MUST REMAIN WITHIN DIMENSIONS		THIRD ANGLE PROJECTION		DRAWING		
▽ = 0			A1-SIZE				

Table with columns: ASSEMBLY DESCRIPTION, ASSEMBLY PART NUMBER, COMPONENT (HOUSING KEY/COLOR, GROMMET CAP, PLR, MAT SEAL, SB QTY), COMPONENT, CAVITY WITH A NUMBER INDICATES BLOCKED TERMINAL POSITION, CAVITY WITHOUT A NUMBER INDICATES OPEN TERMINAL POSITION, STATUS, COMMENTS, OPTIONAL ATTACHMENTS SOLD SEPARATELY (BACKSHELL WITH RIBS, BACKSHELL WITHOUT RIBS).

MX150 16 WAY HYBRID BLADE SEALED ASSEMBLY MAT SEAL (2.8mm CAVITIES OPEN)
BOM AND PIN OUT SHEET

Table with columns: ASSEMBLY DESCRIPTION, ASSEMBLY PART NUMBER, COMPONENT (HOUSING KEY/COLOR, GROMMET CAP, PLR, MAT SEAL, SB QTY), BLOCKED TERMINALS (1-16), STATUS, COMMENTS, and OPTIONAL ATTACHMENTS SOLD SEPARATELY (BACKSHELL WITH RIBS, BACKSHELL WITHOUT RIBS).

MX150 16 WAY HYBRID BLADE SEALED ASSEMBLY MAT SEAL (2.8mm CAVITIES OPEN)
BOM AND PIN OUT SHEET

Table with columns: ASSEMBLY DESCRIPTION, ASSEMBLY PART NUMBER, COMPONENT (HOUSING KEY/COLOR, GROMMET CAP, PLR, MAT SEAL, SB QTY), BLOCKED TERMINALS (1-16), STATUS, COMMENTS, and OPTIONAL ATTACHMENTS SOLD SEPARATELY (BACKSHELL WITH RIBS, BACKSHELL WITHOUT RIBS).

**MX150 16 WAY HYBRID BLADE SEALED ASSEMBLY MAT SEAL (2.8mm CAVITIES OPEN)
BOM AND PIN OUT SHEET**

ASSEMBLY DESCRIPTION	ASSEMBLY PART NUMBER	COMPONENT					BLOCKED TERMINALS																STATUS	COMMENTS	OPTIONAL ATTACHMENTS SOLD SEPERATELY	
		THE PRESENCE OF AN ABBREVIATION INDICATES THE PRESENCE OF THAT COMPONENT.					CAVITY WITH A NUMBER INDICATES BLOCKED TERMINAL POSITION CAVITY WITHOUT A NUMBER INDICATES OPEN TERMINAL POSITION																		BACKSHELL WITH RIBS	BACKSHELL WITHOUT RIBS
		HOUSING KEY/COLOR	GROMMET CAP	PLR	MAT SEAL	SB QTY	1	2	3	4	5	6	7	8	9	10	11	12	13	14	15	16				
KEY B, LIGHT GRAY	34986-2288	B-LG	GC-S	PLR	M													12		14			SALEABLE		349531610	NOT AVAILABLE
KEY A, BLACK	34986-2289	A-BLK	GC-S	PLR	M				4	5	6												SALEABLE		349531610	NOT AVAILABLE
KEY B, LIGHT GRAY	34986-2290	B-LG	GC-S	PLR	M													11					SALEABLE		349531610	NOT AVAILABLE
KEY B, LIGHT GRAY	34986-2291	B-LG	GC-S	PLR	M		2	3	4	5		7								14	15		SALEABLE		349531610	NOT AVAILABLE
KEY A, BLACK	34986-2292	A-BLK	GC-S	PLR	M		2			5		7			10	11	12		13		15		SALEABLE		349531610	NOT AVAILABLE
KEY A, BLACK	34986-2293	A-BLK	GC-S	PLR	M		2			5		7			10	11	12				15		SALEABLE		349531610	NOT AVAILABLE
KEY A, BLACK	34986-2294	A-BLK	GC-S	PLR	M		2	3	4						10	11	12			14	15		SALEABLE		349531610	NOT AVAILABLE
KEY A, BLACK	34986-2295	A-BLK	GC-S	PLR	M				4						10	11	12		13				SALEABLE		349531610	NOT AVAILABLE
KEY A, BLACK	34986-2296	A-BLK	GC-S	PLR	M				4							11	12		13		15		SALEABLE		349531610	NOT AVAILABLE
KEY A, BLACK	34986-2297	A-BLK	GC-S	PLR	M		2	3			6	7			10	11				14	15		SALEABLE		349531610	NOT AVAILABLE
KEY A, BLACK	34986-2298	A-BLK	GC-S	PLR	M		2			5		7			10	11			13		15		SALEABLE		349531610	NOT AVAILABLE
KEY A, BLACK	34986-2299	A-BLK	GC-S	PLR	M				4	5	6				10	11	12			14	15		SALEABLE		349531610	NOT AVAILABLE