

NUMBER  
**84501**



**METRIC**

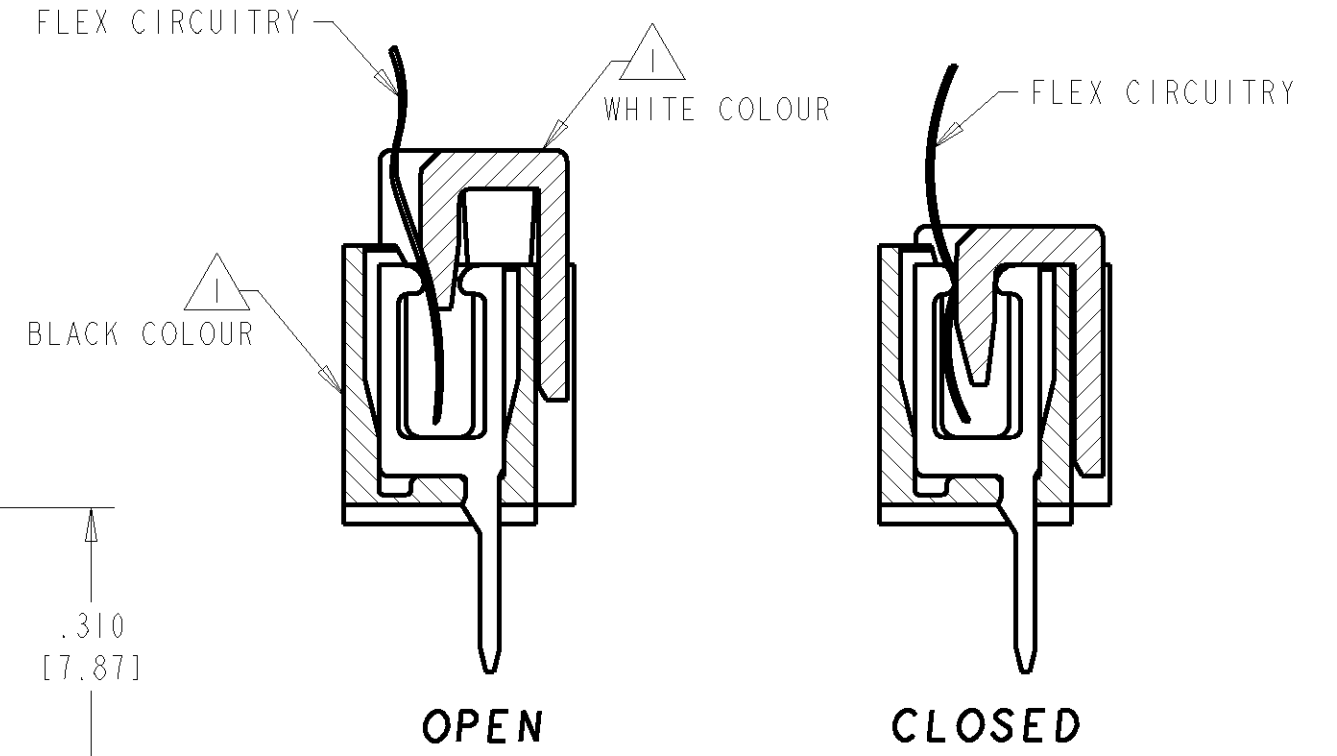
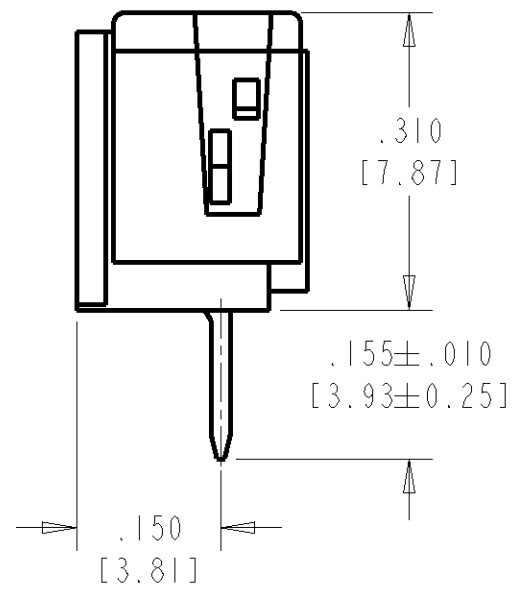
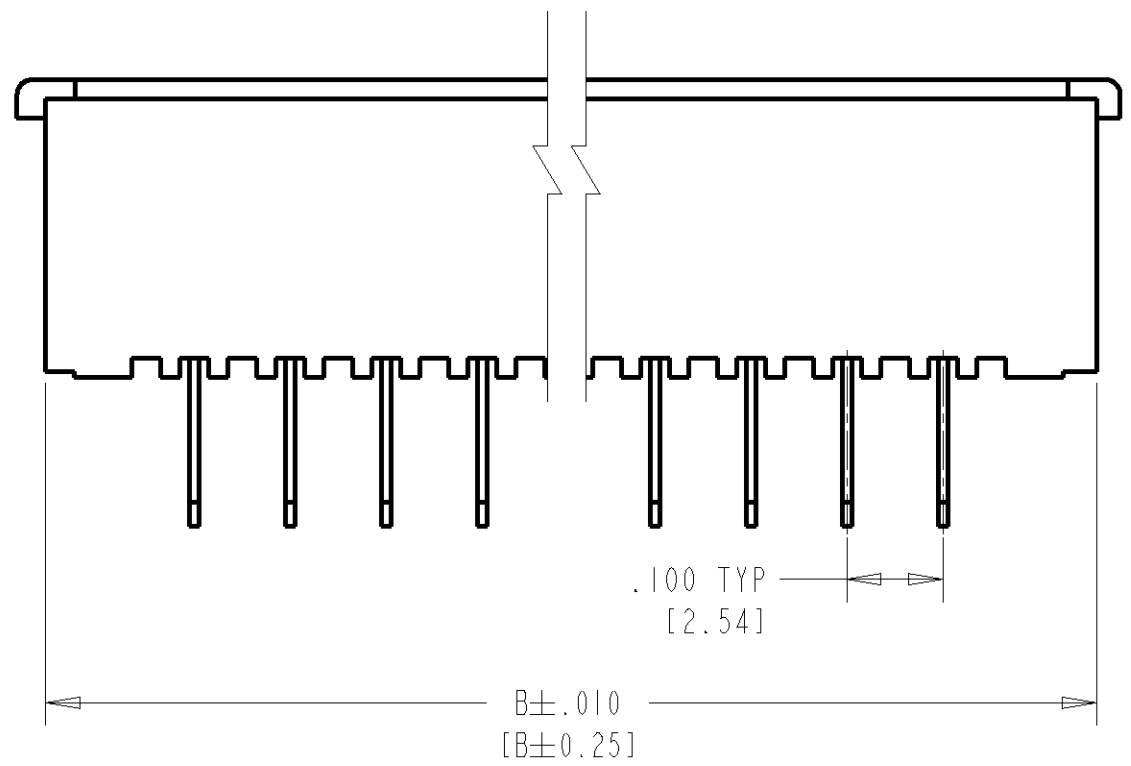
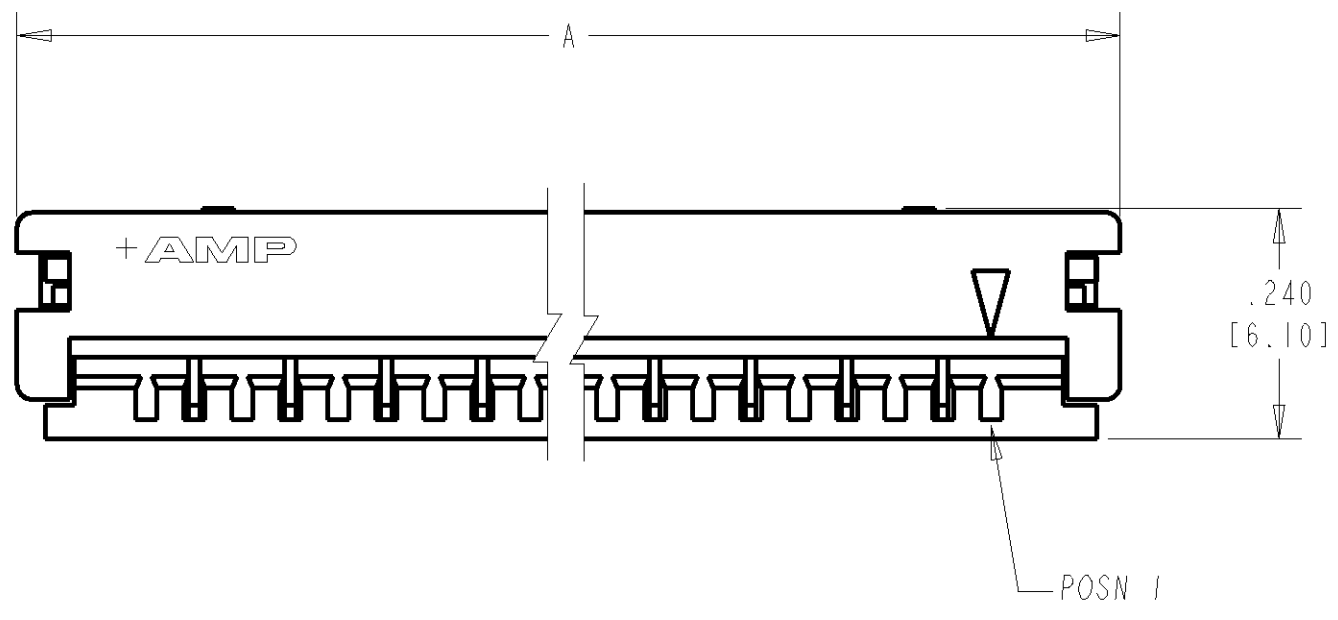
**CONFIDENTIAL INFORMATION**

DIMENSIONS IN MM. DO NOT SCALE PRINT

PRINT DIST

NOTES:

- 1 FLAME RETARDANT THERMOPLASTIC.
- 2 FINISH: .000150 [3.8u] MIN THK TIN OVER  
.000050 [1.27u] MIN THK NICKEL ON ENTIRE CONTACT.
- 3. CONNECTOR SUPPLIED IN CLOSED CONDITION.



1.410 [35.81]	1.470 [37.34]	12	84501-1
B	A	NO OF POSN	PART NUMBER

Copyright ©1997		Copyright ©1997 AMP MANUFACTURING SINGAPORE PTE. LTD. ALL RIGHTS RESERVED.		<b>AMP</b>		AMP MANUFACTURING SINGAPORE PTE. LTD.	
(WIRE RANGE) mm <sup>2</sup> (AWG - )	(INSULATION DIA.) mm∅	(NAME) <b>CONNECTOR ASSEMBLY, .100¢, ZIF-LINE 50</b>					
(MATERIAL) 1	(FINISH) 2	(GENERAL TOLERANCE)		SIZE	LOC	(No.)	
A REVISED FP00-0084-03	LWY LSF 16MAY03	0 < + ≤ 10 : ±0.2 10 < + ≤ 30 : ±0.25 30 < + ≤ 100 : ±0.3		A3	DY	<b>84501</b>	
0 NPR DY/NP/0271	NWL TLP 2JUN97	ANGLES : ± 3°		(SCALE)	REV.	SHEET	
LTR (REVISION RECORD)	DR CHK DATE	APP. SF LEONG		5:1	A	1 OF 1	

**CUSTOMER DRAWING**