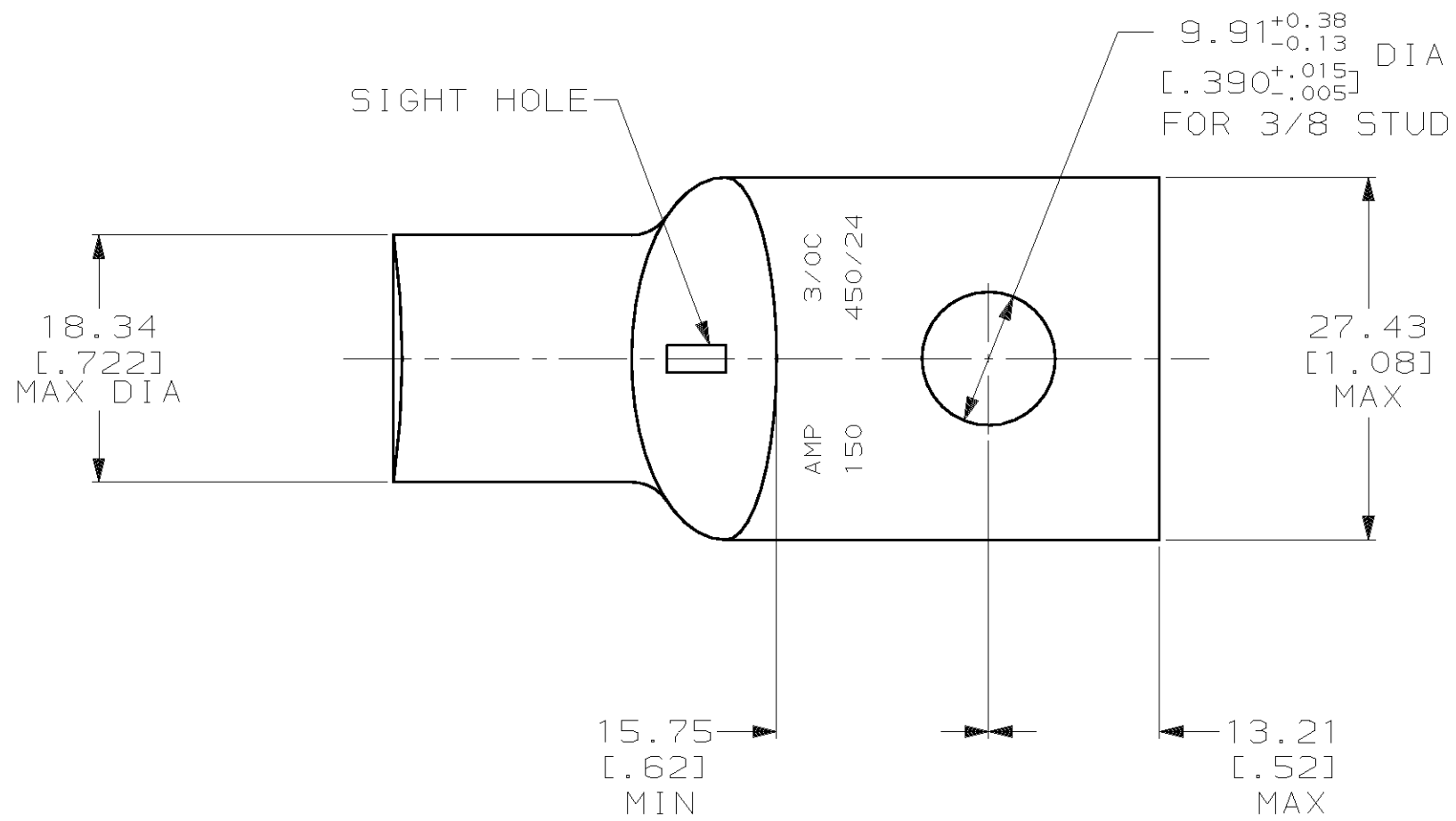
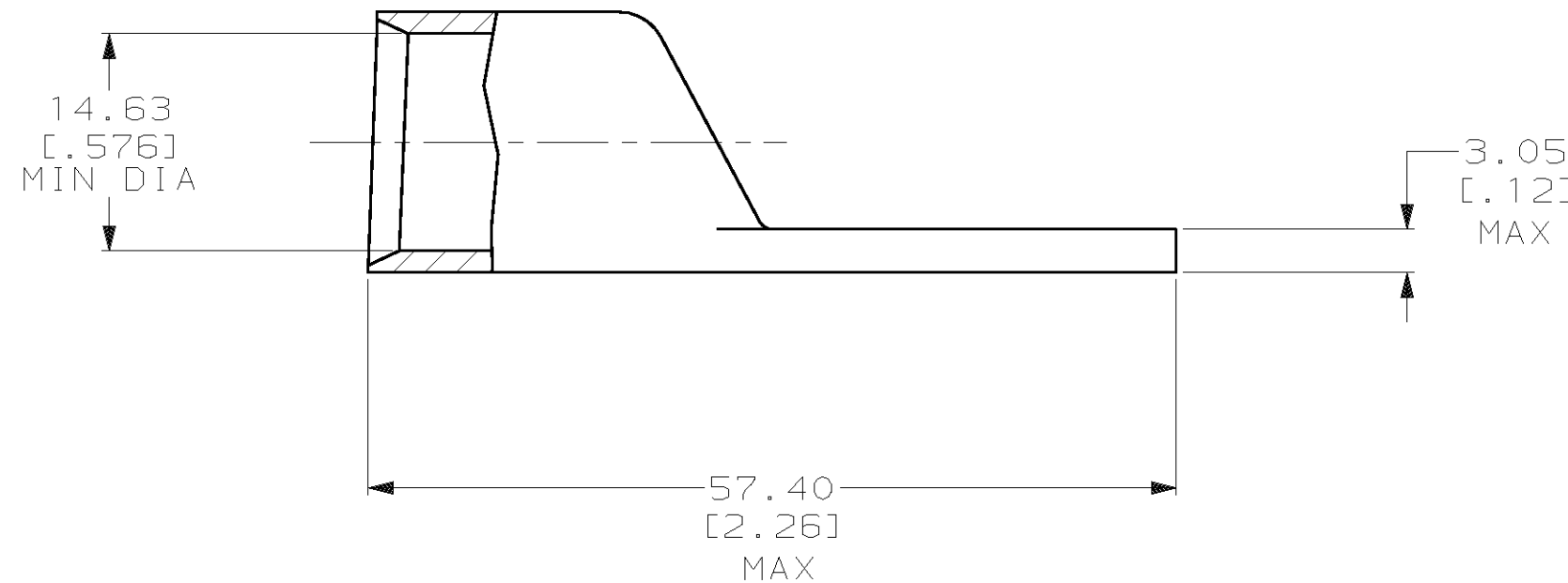


THIS DRAWING IS UNPUBLISHED. RELEASED FOR PUBLICATION, 19 .
 © COPYRIGHT 19 BY AMP INCORPORATED. ALL INTERNATIONAL RIGHTS RESERVED.

| LOC | | DIST | | REVISIONS | | | | DATE | APPD |
|------|-----|-------------|------|-----------|----------------------|---------|-------|------|------|
| ZONE | LTR | DESCRIPTION | DATE | APPD | | | | | |
| G | 86 | P | F | N | REV PER 063A-0561-01 | 070CT02 | JR/MS | | |



1 CIRCULAR MIL AREA RANGE: 150,500-190,000 CM
 2 TIN PL 0.00381 [0.00150] MIN THK PER MIL-T-10727



325503

B

A

325503
 PART NO

| | | | | | |
|---|--|-----------------------------|--|---|--|
| DO NOT SCALE PRINT. UNLESS SPECIFIED DIMENSIONS IN mm [INCHES] TOLERANCES ON : 2 PLC DEC ± 0.51 [0.020] 3 PLC DEC ± - ANGLES ± - | | DR 02/28/90 DK SCHRUM | | AMP INCORPORATED Harrisburg, Pa. 17105 | |
| MATERIAL ANNEALED COPPER ASTM B-75 | | CHK 18JAN95 MS FEHER | | | |
| FINISH △ | | APPD 18JAN95 WJ VOCKROTH | | NAME TERMINAL, AMPPOWER, WIRE SIZE: 3/0 AWG | |
| APPLICATION SPEC - | | APPD 18JAN95 TL SHUTTER | | DRAWING NO 325503 | |
| WEIGHT .075 LB | | PRODUCT SPEC - | | CAGE CODE 00779 | |
| | | APPLICATION SPEC - | | SCALE 2:1 | |
| | | | | SHEET 1 OF 1 | |

