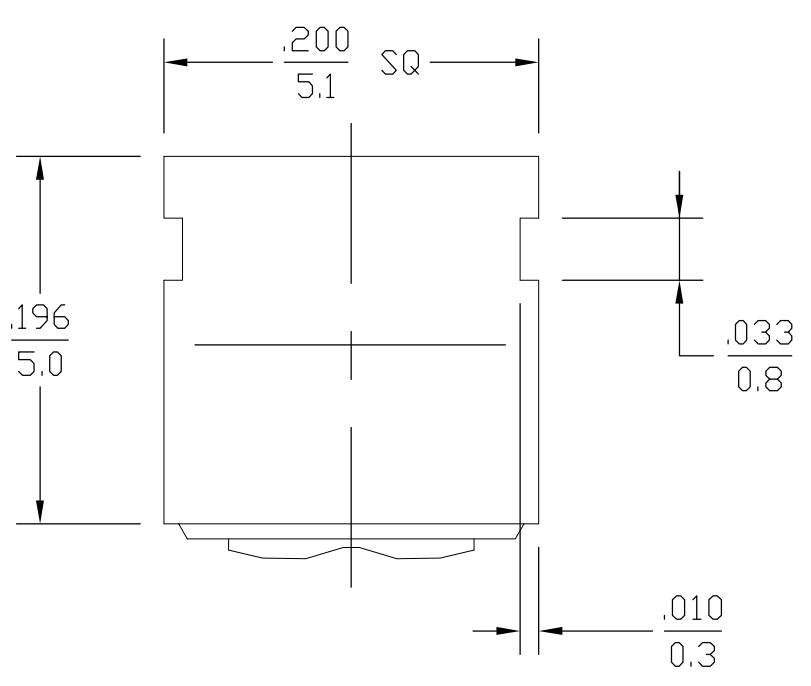
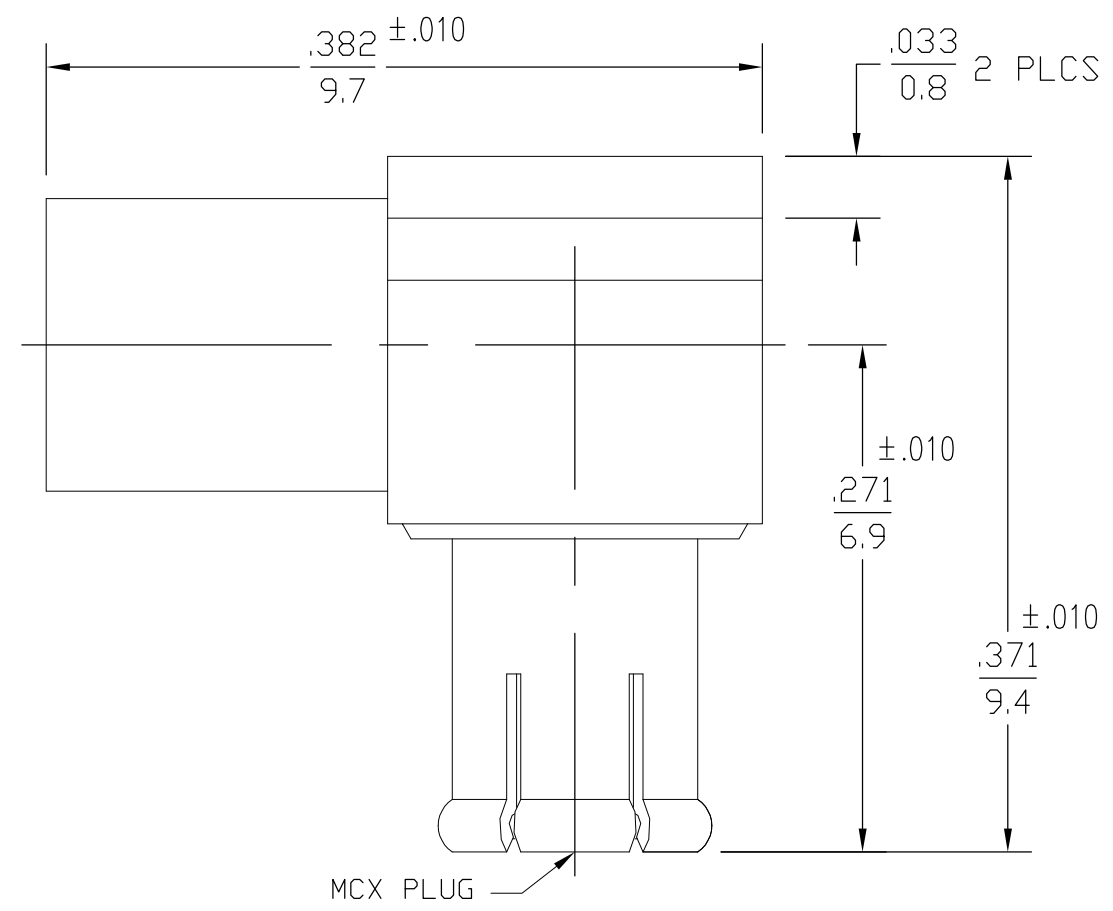


THIS DRAWING IS UNPUBLISHED. RELEASED FOR PUBLICATION  
 © COPYRIGHT BY TYCO ELECTRONICS CORPORATION. ALL RIGHTS RESERVED.

LOC	DIST	REVISIONS					
AJ	00	P	LTR	DESCRIPTION	DATE	DWN	APVD
			B	REV PER ECO 08-006829	18MAR2008	DW	JL



1. FOR USE WITH M/A-COM FC14BC2 CABLE.

ELECTRICAL	MECHANICAL	ENVIRONMENTAL
Nominal Impedance (Ohms) <u>50</u>	Interface Dimensions <u>MIL-STD-348</u>	Temperature Rating <u>-65°C to +165°C</u>
Frequency Range (GHz) <u>DC to 2.0</u>	Mating Characteristics:	Vibration <u>MIL-STD-202, Method 204, Condition B</u>
Volt Rating (VRMS MAX) @ Sea Level <u>335</u>	Insertion (MAX Lbs) <u>3.4</u>	Shock <u>MIL-STD-202, Method 107, Condition B</u>
VSWR <u>TBD</u>	Withdrawal (MIN Oz) <u>1.77MIN-4.50 MAX</u>	Thermal Shock <u>MIL-STD-202, Method 102, Condition C</u>
Insertion Loss (dB MAX) <u>TBD</u>	Center Contact Captivation: <u>DESIGNED TO MAINTAIN MCX INTERACE WHEN MATING</u>	Except High Temperature <u>N/A</u>
RF Leakage (dB MIN) (Interface Only Fully Mated) <u>N/A</u>	Cable Retention:	Moisture Resistance <u>MIL-STD-202, Method 106D, 10 CYCLES, 96 HOURS</u>
Corona 70,000 FI (VRMS MIN) <u>250</u>	Axial Force (Lbs) <u>N/A</u>	Corrosion <u>MIL-STD-202, Method 101, Condition A</u>
Dielectric Withstanding Voltage (VRMS MIN) @ Sea Level <u>1000</u>	Torque (In/Oz) <u>N/A</u>	
Contact Resistance (MilliOhms MAX) Center Contact <u>5.0</u>	Weight (Grams) <u>N/A</u>	
Outer Contact <u>1.0</u>		
Cable to Housing <u>1.0</u>		
RF High Potential @ Sea Level (VRMS MIN @ 5 MHz) <u>670</u>		
I.R. (MegaOhmz MIN) <u>10,000</u>		

COMPONENT	MATERIAL	FINISH	CABLE ENTRY DIAMETER (MIN)
CONTACT FINGER	BE-CU PER ASTM-B-196, OR ASTM-B-197 ALLOY C17300, CONDITION H	TIN PLATE PER ASTM-B-545	-
HOUSING	BRASS PER ASTM-B-16 HALF HARD	TIN PLATE PER ASTM-B-545	.128
CAP	BRASS PER ASTM-B-16 HALF HARD	NICKEL PLATE PER QQ-N-290	-
DIELECTRIC	PTFE FLUOROCARBON PER ASTM-D-1457	-	-
CENTER CONTACT	BE-CU PER ASTM-B-196, OR ASTM-B-197 ALLOY C17300, CONDITION H	GOLD PLATE PER MIL-G-45204	.038 SLOT

6060782-1
PART NUMBER

THIS DRAWING IS A CONTROLLED DOCUMENT.

DWN	01FEB2005	Tyco Electronics Corporation Harrisburg, PA 17105-3608			
L. VARELA - DOCK5	01FEB2005				
CHK	01FEB2005				
J. HAVENER	01FEB2005				
APVD	01FEB2005	NAME			
K. WEIDNER		MCX RIGHT ANGLE CABLE PLUG SOLDER ATTACHMENT (5807-5008-13)			
PRODUCT SPEC		SIZE	CAGE CODE	DRAWING NO	RESTRICTED TO
-		A3	00779	C-6060782	-
APPLICATION SPEC		WEIGHT			
408-4649					
CUSTOMER DRAWING		SCALE	SHEET	REV	
		10:1	1 OF 1	B	