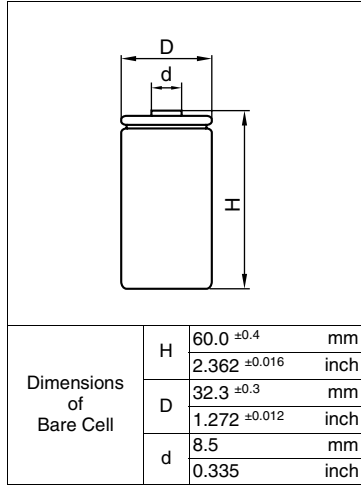


SANYO

Cadnica



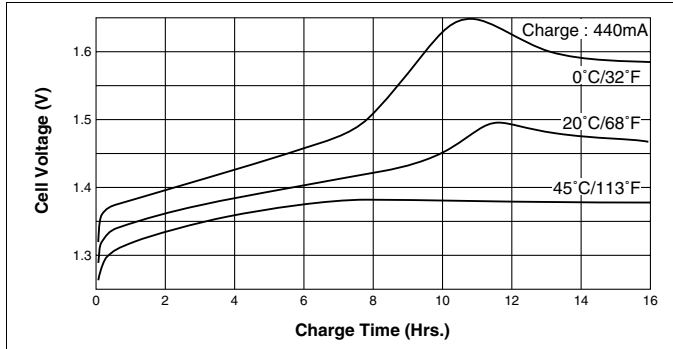
Cell Type KR-4400D

Specifications

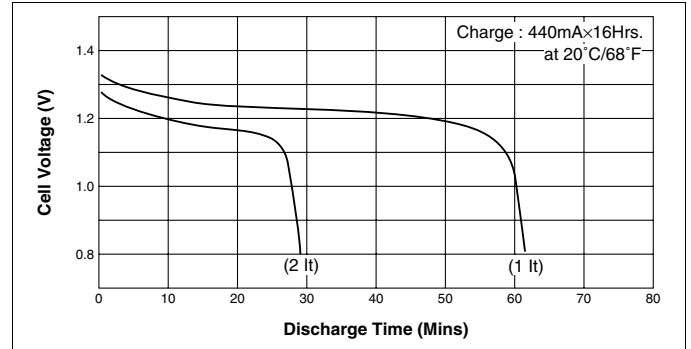
Nominal Capacity		4400mAh
Nominal Voltage		1.2V
Charging Current		440mA
Charging Time		14 to 16Hrs.
Ambient Temperature	Charge	0°C to +45°C [+32°F to 113°F]
	Discharge	-20°C to +60°C [-4°F to 140°F]
	Storage	-30°C to +50°C [-22°F to 122°F]
Internal Impedance (Av.) (at 50% discharge)		3.8mΩ (at 1000Hz)
Weight		145g/5.11oz
Dimensions(D)×(H) (with tube)		33.0 ⁰ _{-0.9} × 61.1 ⁰ _{-1.5} mm 1.30 ⁰ _{-0.04} × 2.41 ⁰ _{-0.06} inch

Typical Characteristics

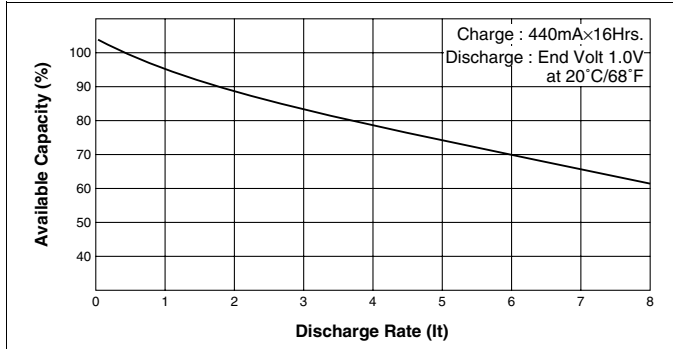
Charge



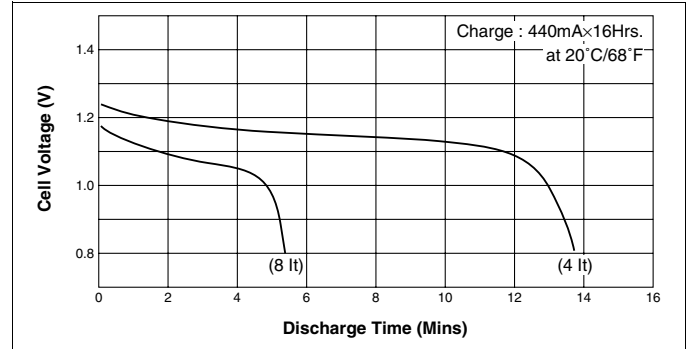
Discharge (at high rate)



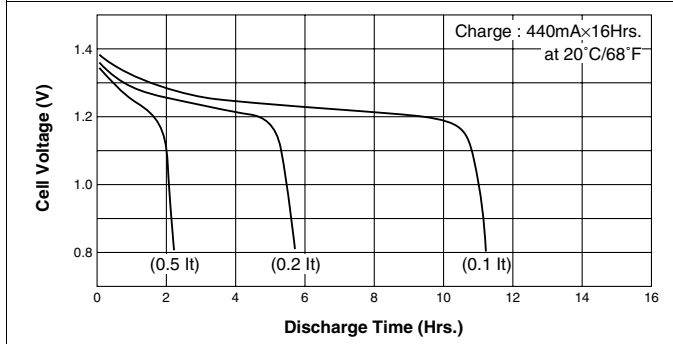
Cell Capacity (at various discharge rate)



Discharge (at high rate)



Discharge (at low rate)



Temperature (Charge & Discharge)

