



Part Number: DSI2731

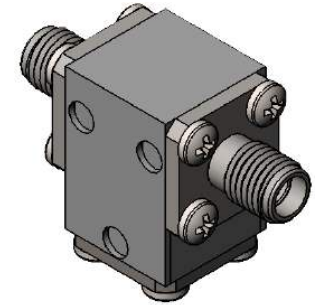
Electrical Specifications

Frequency Range (GHz):	27.0 – 31.0
Isolation (dB):	20 MIN
Insertion Loss (dB):	0.6 MAX
VSWR:	1.25:1 MIN
Forward Power (W):	5 AVG 30 PK
Reflective Power (W):	2 AVG

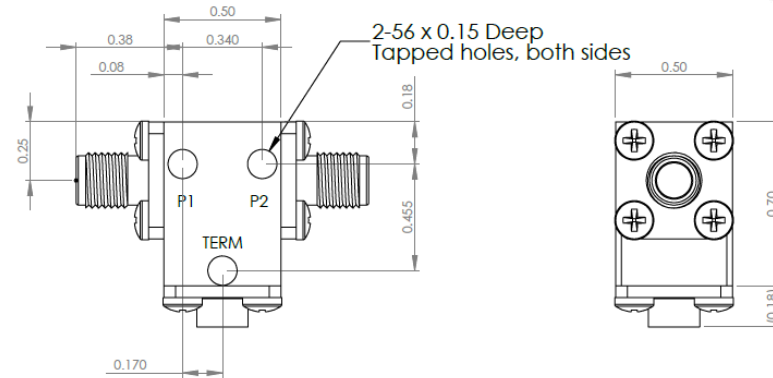
Mechanical/Environmental Specifications

Connector Type:	K (2.92mm)
Connector Body:	Passivated stainless steel
Connector Pin:	Gold plated copper
Load Body:	Brass
Magnetic Shunt:	Nickel plated CRS
Operational Temp:	-15°C to +75°C
Storage Temp:	-40°C to +120°C
Weight (oz):	0.75 MAX
Pressure:	< 1.5e ⁻⁵ torr
Screening Test:	Non-Operational Thermal Cycles
ATP:	Operational thermal cycling

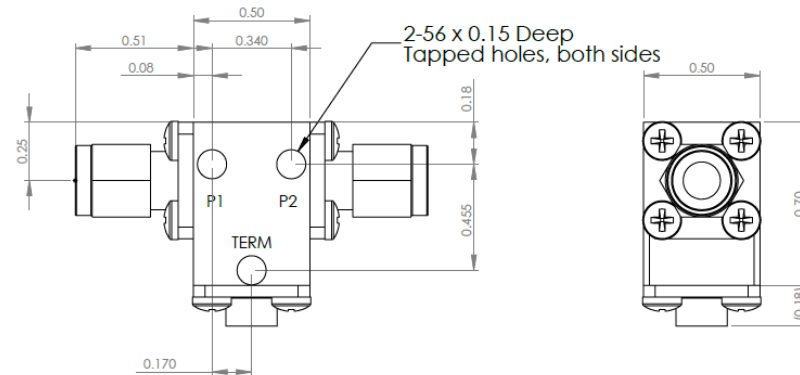
Test Report Included w/CofC



DSI2731 Dimensions



DSI2731-3 Dimensions



Dimensions are in inches
Tolerance

XX	±0.03
XXX	±0.010

Type of Device	PN Suffix	Connector Configuration Input / Output	PN Example
Single Junction Isolator 2-Port Device	N/A	Female / Female	DSI2731
	-1	Male / Female	DSI2731-1
	-2	Female / Male	DSI2731-2
	-3	Male / Male	DSI2731-3



MEASURED DATA

Part Number: DS12731, +25°C

