

## CTDO5022HCF Series

From 0.78 $\mu$ H to 15 $\mu$ H



### CHARACTERISTICS

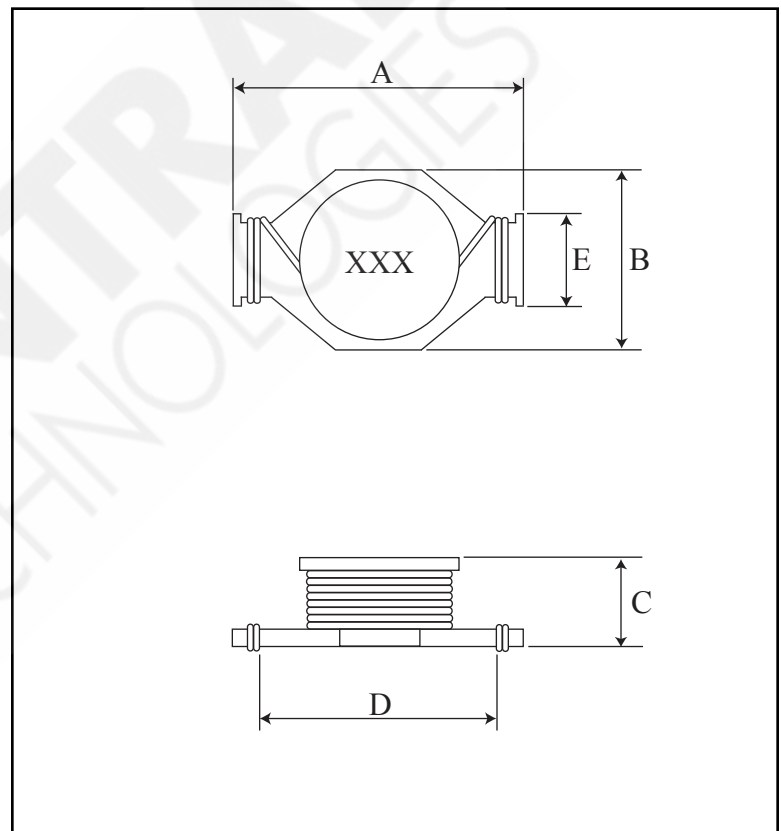
- Description:** SMD (high current) power inductor
- Applications:** DC/DC converters, computers, LCD displays, telecommunication equipment and PDA palm tops.
- Operating Temperature:** -40°C to +105°C
- Testing:** Inductance is tested on an HP4285A at 100kHz, 0.1V
- Packaging:** Tape & Reel.
- Marking:** Parts are marked with inductance code.
- Miscellaneous:** **RoHS Compliant.**
- Additional Information:** Additional electrical & physical information available upon request.
- Samples available. See website for ordering information.**

### SPECIFICATIONS

Part Number	Inductance ( $\mu$ H)	Inductance Tolerance	Test Freq. (kHz)	DCR (Max.) ( $\Omega$ )	IDC (Max.) (A)
CTDO5022PF-781HC	0.78	$\pm 30\%$	100	0.003	30.0
CTDO5022PF-152HC	1.5	$\pm 20\%$	100	0.004	25.0
CTDO5022PF-222HC	2.2	$\pm 20\%$	100	0.006	20.0
CTDO5022PF-332HC	3.3	$\pm 20\%$	100	0.009	17.0
CTDO5022PF-392HC	3.9	$\pm 20\%$	100	0.010	15.0
CTDO5022PF-472HC	4.7	$\pm 20\%$	100	0.014	13.0
CTDO5022PF-602HC	6.0	$\pm 20\%$	100	0.017	12.0
CTDO5022PF-782HC	7.8	$\pm 20\%$	100	0.018	11.0
CTDO5022PF-103HC	10	$\pm 20\%$	100	0.026	10.0
CTDO5022PF-153HC	15	$\pm 20\%$	100	0.032	8.0

### PHYSICAL DIMENSIONS

Size	A Max.	B Max.	C Max.	D	E
mm	22.35	16.26	8.00	16.00	8.00
inches	0.880	0.640	0.315	0.630	0.315



### PAD LAYOUT

