

PRODUCT DATASHEET

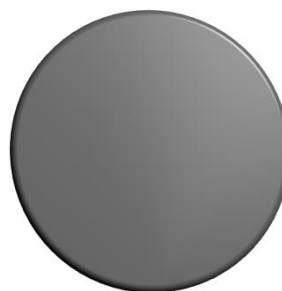
Button Tag – D22

A Small but Robust Tag for Item Tracking

Button Tag is built with industrial-graded plastic by overmolding process to make it robust. This tag can be applied with a tape or resin molded to an item. With its ultra small size, this tag can go to small items or fit into small space for item tracking or product identification purposes.

Features

- Small form factor
- IP68 rated
- Waterproof



Applications

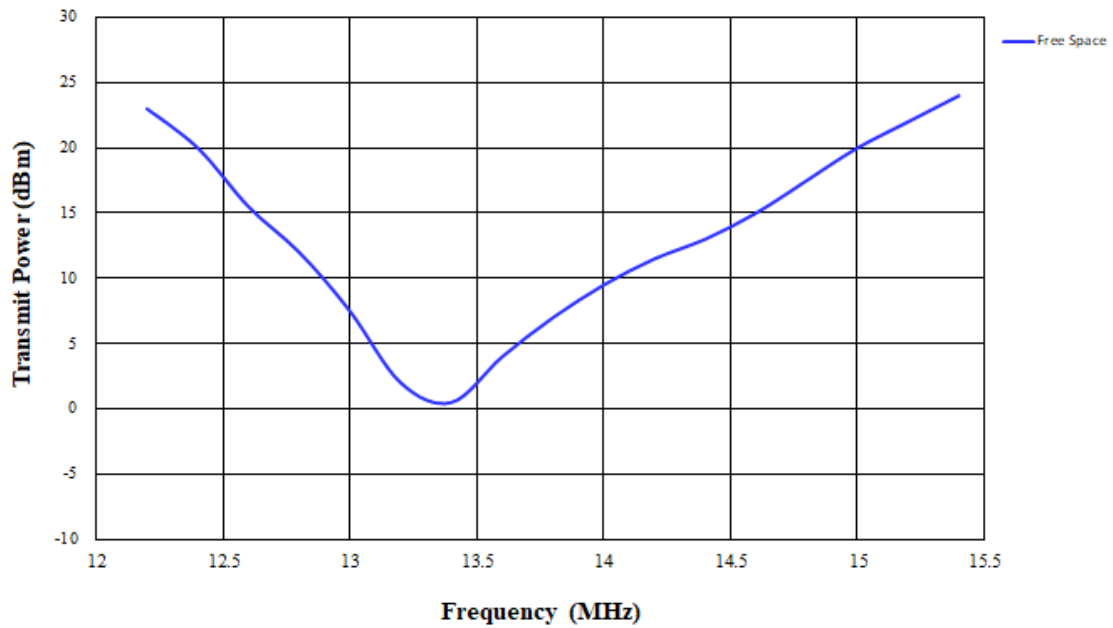
- Product Identification
- Item-level Tracking

RF Specification

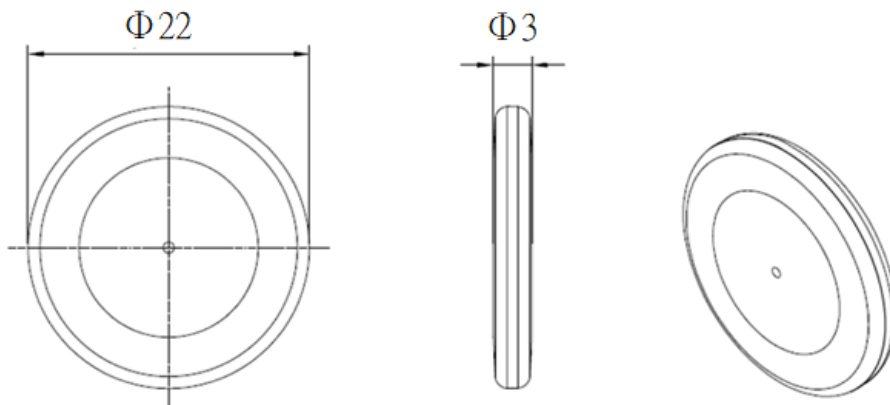
IC Type	TI Tag-it Plus (2048)
Memory	UID 64 bit User memory 2k bit
RF Interface Protocol	ISO 15693 / ISO 18000-3
Operating Frequency	13.56 MHz
Applicable Surface	Non - Metal

Environmental Resistance

Operating Temperature	-40°C to +85°C
Storage Temperature	-40°C to +120°C
Weight	1.7g
Warranty	One Year



*HF sensitivity shown in the figure is measured by Voyantic Tagformance HF Loop Antenna C60. Actual sensitivity performance is subject to the environment in practice.



Physical Specification

Color	Black
Material	PPS
Size	D 22 mm/ 0.86 in Thickness 3.0 mm/ 0.11 in <small>*The exact size is mainly based on metric unit.</small>
IP Rating	IP68
Attachment	Adhesive

Ref. No: Digi-Key / 420580903-011363

All rights reserved. Product specifications are subject to change without prior notification.

Securitag Assembly Group (SAG) reserves the rights to change product specifications without prior notice. Our products are free from defects in material and workmanship. However, this warranty does not cover accidental damage, wear and tear due to Under no conditions is SAG liable for loss and damage to a device, data or records. We also recommend extra care to minimize ESD improper use, in the surroundings of the application.

