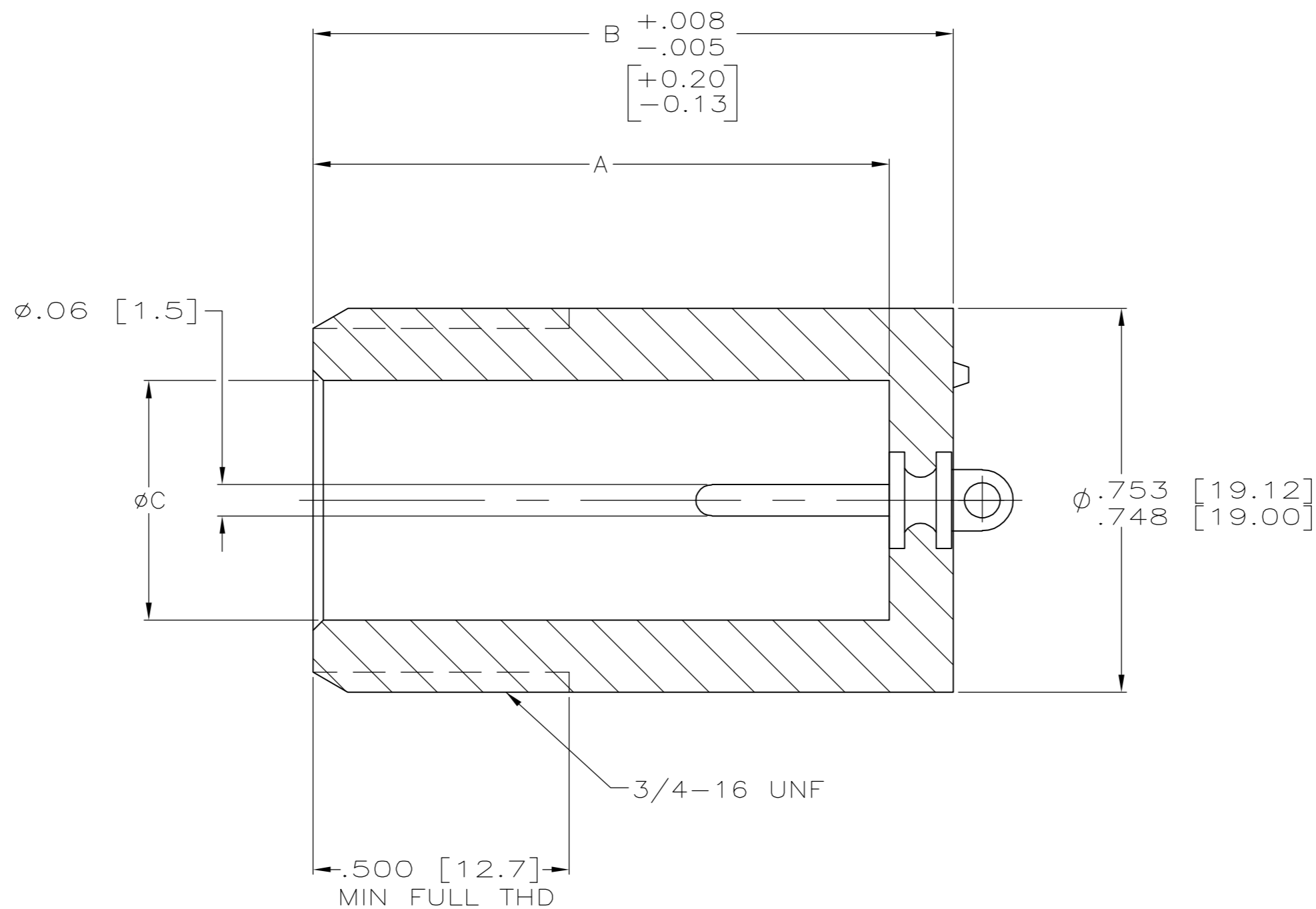


THIS DRAWING IS UNPUBLISHED. RELEASED FOR PUBLICATION - .N/A .
 © COPYRIGHT N/A BY TYCO ELECTRONICS CORPORATION. ALL RIGHTS RESERVED.

| LOC | DIST | REVISIONS | | | | | |
|-----|------|-----------|-----|----------------------|-------|-----|------|
| DF | S0 | P | LTR | DESCRIPTION | DATE | DWN | APVD |
| | | 0 | | REV PER 0H14-0191-05 | 05-05 | AA | DE |

| PART NO. | DIM A | DIM B | DIM C | TERMINAL PLATING | SIZE |
|-------------|--------------|--------------|-------------|------------------|-------|
| 5849587-9 | 1.812 [46.0] | 1.937 [49.2] | .312 [7.9] | △ | LGH-3 |
| 1-5849587-1 | 1.437 [36.5] | 1.562 [39.7] | .468 [11.9] | △ | LGH-2 |
| 1-5849587-9 | 1.125 [28.6] | 1.250 [31.7] | .312 [7.9] | △ | LGH-3 |

- △ TIN PLATED .0001 [0.0025] MIN THK PER ASTM-B-545.
- 2. LGH-2 RECEPTACLE TO MATE WITH AMP LGH-2 LEAD ASSEMBLY.
- 3. LGH-3 RECEPTACLE TO MATE WITH AMP LGH-3 LEAD ASSEMBLY.



| | | | | | | | | | | | | | | | | | | | | | | |
|--|---|----------------------------------|---|-------------------------|-------|---|---|-------|---|----------|-------|---|------------|-------|---|---|--------|---|---|-------------------|------------|--------------------|
| THIS DRAWING IS A CONTROLLED DOCUMENT. | | DWN A.H.ANDERSON 18-MAY-05 | Tyco Electronics Corporation Harrisburg, Pa 17105-3608 | | | | | | | | | | | | | | | | | | | |
| DIMENSIONS: INCHES | | CHK D. EABY 18-MAY-05 | | | | | | | | | | | | | | | | | | | | |
| TOLERANCES UNLESS OTHERWISE SPECIFIED: | | APVD D. EABY 18-MAY-05 | NAME MOLDED RECEPTACLE LGH-2 , LGH-3 | | | | | | | | | | | | | | | | | | | |
| <table border="1"> <tr><td>0 PLC</td><td>±</td><td>-</td></tr> <tr><td>1 PLC</td><td>±</td><td>-</td></tr> <tr><td>2 PLC</td><td>±</td><td>.04[1.0]</td></tr> <tr><td>3 PLC</td><td>±</td><td>.015[0.38]</td></tr> <tr><td>4 PLC</td><td>±</td><td>-</td></tr> <tr><td>ANGLES</td><td>±</td><td>-</td></tr> </table> | | 0 PLC | ± | - | 1 PLC | ± | - | 2 PLC | ± | .04[1.0] | 3 PLC | ± | .015[0.38] | 4 PLC | ± | - | ANGLES | ± | - | PRODUCT SPEC - | SIZE A2 | CAGE CODE 00779 |
| 0 PLC | ± | - | | | | | | | | | | | | | | | | | | | | |
| 1 PLC | ± | - | | | | | | | | | | | | | | | | | | | | |
| 2 PLC | ± | .04[1.0] | | | | | | | | | | | | | | | | | | | | |
| 3 PLC | ± | .015[0.38] | | | | | | | | | | | | | | | | | | | | |
| 4 PLC | ± | - | | | | | | | | | | | | | | | | | | | | |
| ANGLES | ± | - | | | | | | | | | | | | | | | | | | | | |
| MATERIAL - | | FINISH - | WEIGHT - | DRAWING NO C=5849587 | | | | | | | | | | | | | | | | | | |
| CUSTOMER DRAWING | | | SCALE 4:1 | SHEET 1 OF 1 | | | | | | | | | | | | | | | | | | |
| | | | REV 0 | RESTRICTED TO - | | | | | | | | | | | | | | | | | | |

5849587