

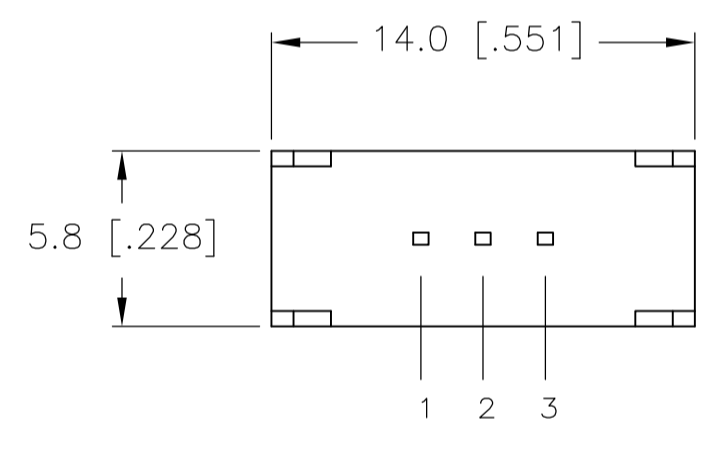
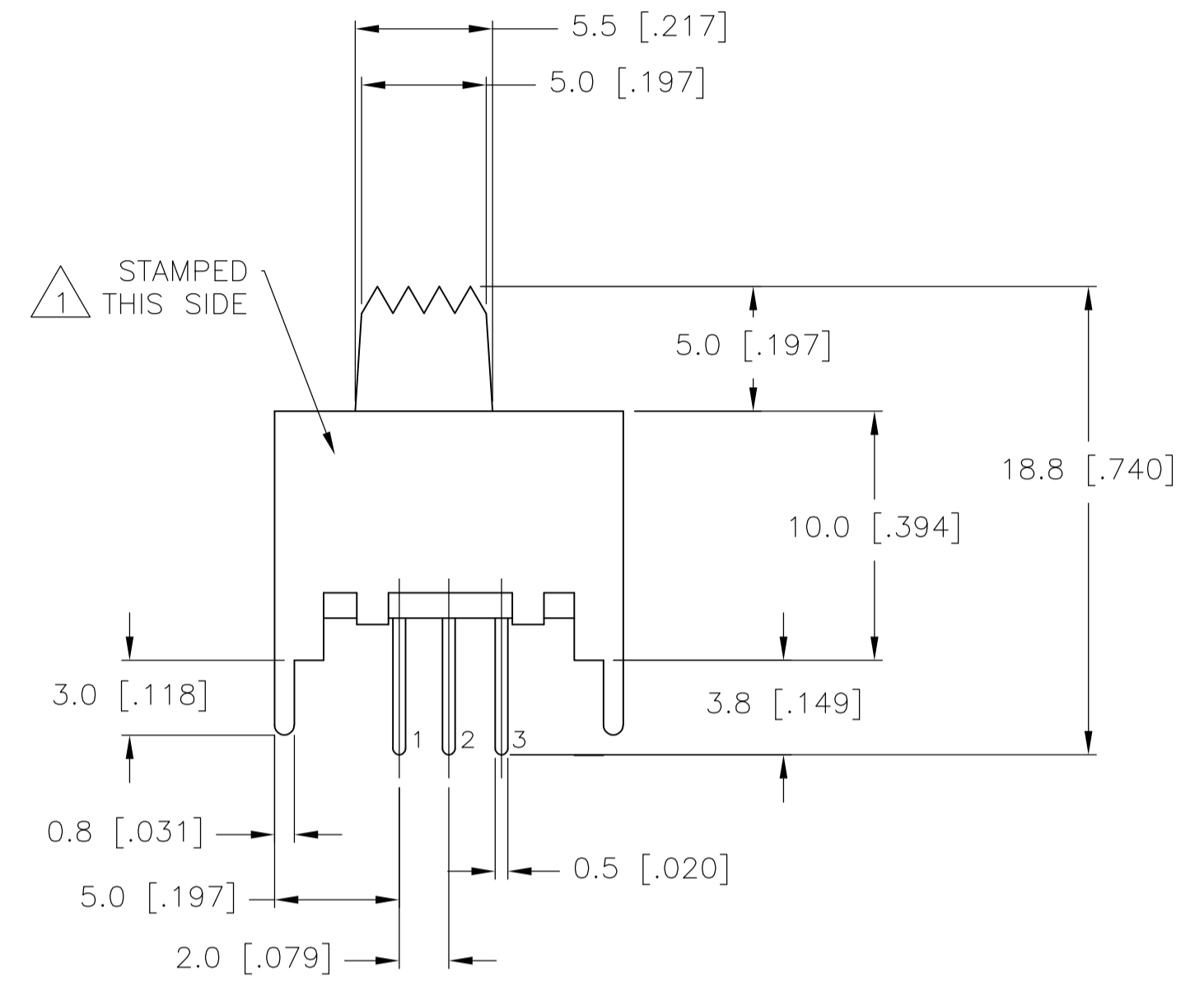
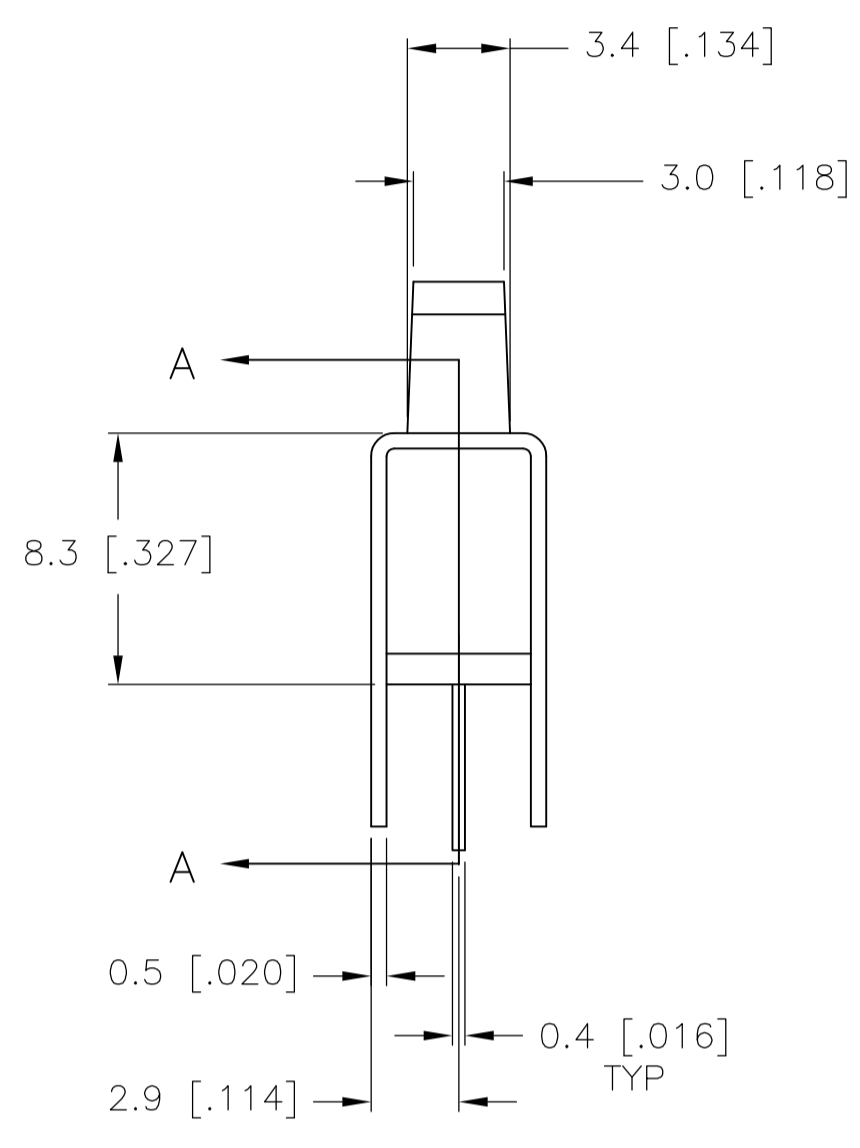
SPECIFICATIONS
MAKE-BEFORE-BREAK

MATERIALS:
 ACTUATOR- POM, UL94HB BLACK
 TERMINAL BOARD- PHENOLIC LAMINATED SHEET, UL94HB, NATURAL
 FRAME- STEEL, NICKEL PLATE
 TERMINAL/FIXED CONTACT- COPPER ALLOY, GOLD OR SILVER OVER NICKEL PLATE
 MOVING CONTACT- COPPER ALLOY, GOLD OR SILVER OVER NICKEL PLATE
 DETENT BALL- STEEL
 COIL SPRING- GALVANIZED SPRING WIRE
 SEAL- EPOXY

ELECTRICAL:
 CONTACT RATING- .4VA@20VDC OR PEAK AC (GOLD); 300mA@125V AC (SILVER)
 INITIAL CONTACT RESISTANCE- 30 milliohm max.
 FINAL CONTACT RESISTANCE- 100 milliohm max. (AFTER TEST)
 INSULATION RESISTANCE- 1,000 Megohms min.
 DIELECTRIC STRENGTH- 500V RMS@SEA LEVEL
 LIFE EXPECTANCY- 15,000 CYCLES MIN.

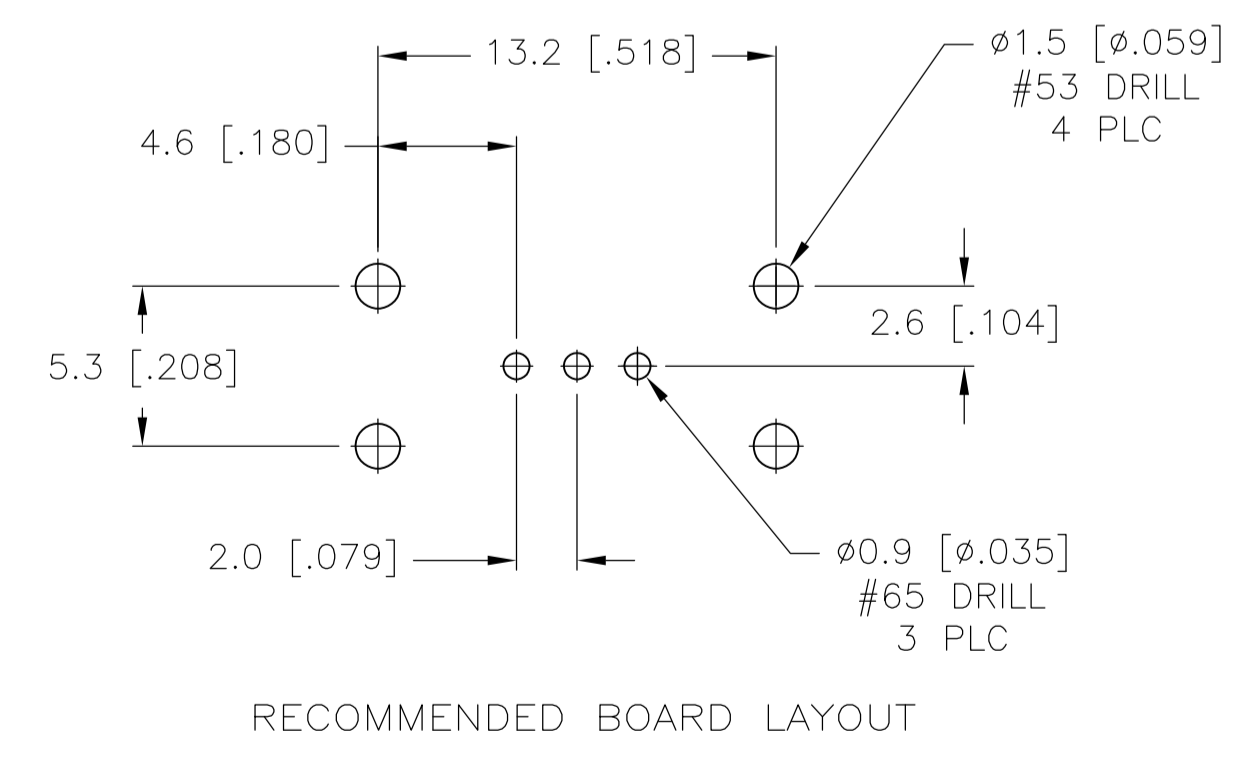
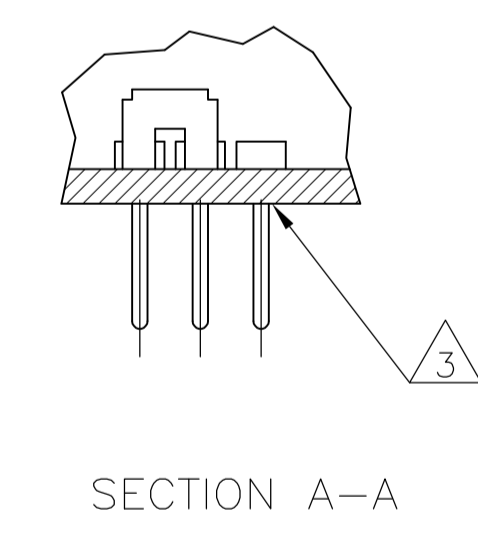
MECHANICAL:
 ACTUATION FORCE- 600+/-300 GRAMS
 TRAVEL- 2.0 +/- .50 (.079 +/- .020)

ENVIRONMENTAL:
 OPERATING TEMPERATURE- -20 TO +85 DEGREES C
 STORAGE TEMPERATURE- -40 TO +100 DEGREES C
 RESISTANCE TO SOLDER HEAT PER 109-202, CONDITION B
 SOLDERABILITY PER EIA-364-52, CLASS 2, CATEGORY 1, 95% MIN COVERAGE



NOTES:

- 1 COUNTRY OF ORIGIN AND TE CONNECTIVITY LOGO LOCATED APPROXIMATELY AS SHOWN
- 2 ALL MATERIALS AND FINISHES SHALL COMPLY WITH EU DIRECTIVE 2002/95/EC OF 27JAN2003 (ROHS)
- 3 ANTI SOLDER WICK SEAL AT TERMINAL TO BOARD INTERFACE
- 4 ALL PERFORMANCE TESTING WAS DONE IN ACCORDANCE TO TE CONNECTIVITY SPECIFICATION 102-2469



| | | | | |
|--|--------------|---------|--------|--------|
| 1825257-2 | MSS1200G04 | GOLD | 2 TO 1 | 2 TO 3 |
| 1825257-1 | MSS120004 | SILVER | 2 TO 1 | 2 TO 3 |
| PART NO. | T&B PART NO. | PLATING | | |
| TERMINALS CONNECTED WHEN SLIDE IS IN POSITION SHOWN. | | | | |

| | | | | |
|--|--|-----------------------|---|--|
| THIS DRAWING IS A CONTROLLED DOCUMENT. | | DIN R BROWN 20DEC05 | TE Connectivity | |
| DIMENSIONS: mm | | CHK M SARVER 20DEC05 | | |
| TOLERANCES UNLESS OTHERWISE SPECIFIED: | | APVD M SARVER 20DEC05 | NAME SLIDE SWITCH, MSS 1200 SERIES, SP-DT, VERTICAL | |
| 0 PLC ± - | | PRODUCT SPEC | SIZE CAGE CODE DRAWING NO | |
| 1 PLC ± 0.3 [.012] | | APPLICATION SPEC | RESTRICTED TO | |
| 2 PLC ± - | | WEIGHT | A1 00779 C=1825257 | |
| 3 PLC ± - | | CUSTOMER DRAWING | SCALE 4:1 SHEET 1 OF 1 REV A2 | |
| 4 PLC ± - | | | | |
| ANGLES ± ± | | | | |