

# Product Specification



## Patch Antenna



### JTT1575S35P3A

#### Feature

High gain , Compact

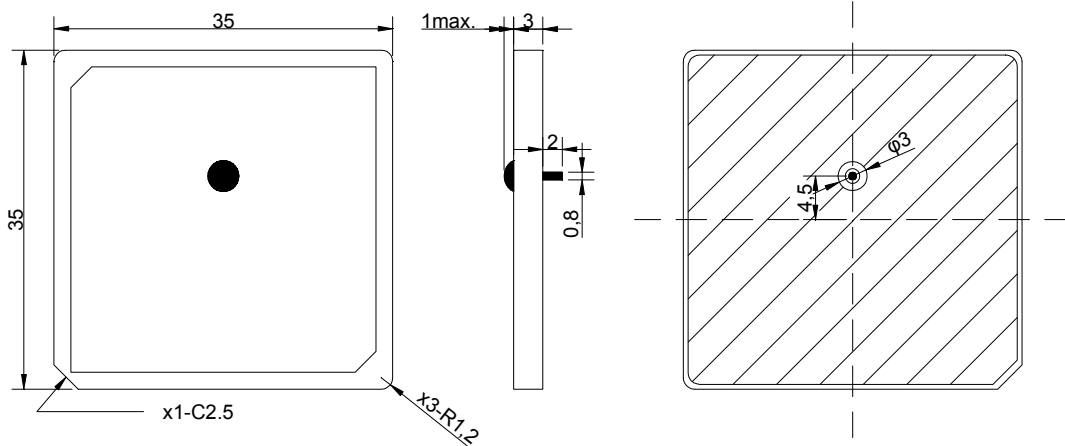
Pin type

Customization available

#### Electrical Specification

1 Center Frequency	1575.0 ± 3.0 MHz
2 Return Loss @ F0	≥15 dB
3 VSWR @ F0	
4 Bandwidth @ 10dB Return loss	≥10.0 MHz
5 Polarization	RHCP
6 Gain @ Zenith	6.5dBi typ.
7 Gain @ 10° elevation	
8 Axial Ratio @ F0	≤5.0 dB
9 Ground plane	38 x 38 mm
10 Impedance	50 Ω
11 Frequency Temperature Coefficient	±20 ppm/°C
12 Operation Temperature Range	-40 ~ +85°C

#### Mechanical Drawing



Tolerance Unless Otherwise Specified: ±0.30  
Unit: mm

# Product Specification



## Patch Antenna JTT1575S35P3A

### Test Fixture

