

THIS DRAWING IS UNPUBLISHED.

RELEASED FOR PUBLICATION

20

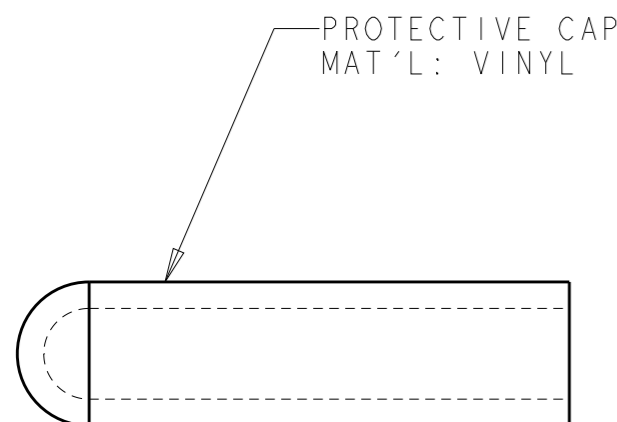
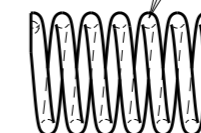
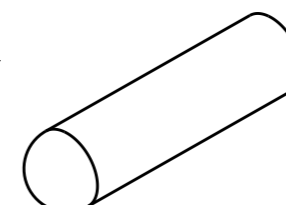
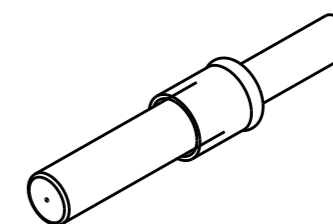
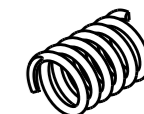
© COPYRIGHT 20 BY -

ALL RIGHTS RESERVED.

REVISIONS

P	LTR	DESCRIPTION	DATE	DWN	APVD
A		RELEASE PER 0A00-0345-04	21JUL04	KG	DW
B		ECR-15-003024	08DEC2015	KG	DW
C		ECR-17-000370	13JAN2017	KG	DW
CI		ECR-18-009303	18JUN2018	PHM	DW

1. ALL DIMENSIONS ARE FOR REFERENCE ONLY.



FERRULE, FLAT, 126um  
MAT'L: ZrO<sub>2</sub>

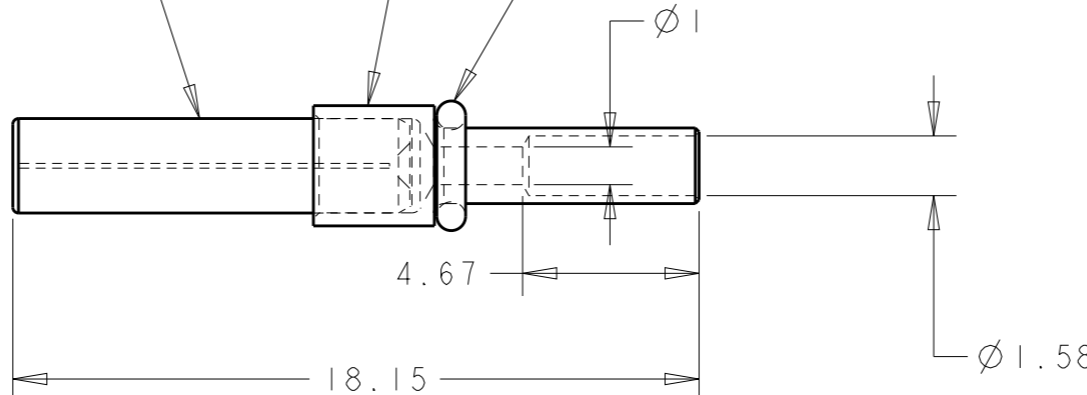
FERRULE BASE  
MAT'L: STAINLESS STEEL

PROTECTIVE CAP  
MAT'L: VINYL

O-RING  
MAT'L: NITRILE

SPRING  
MAT'L: STAINLESS STEEL

SCALE 3:1



1754699-1

PART NUMBER

THIS DRAWING IS A CONTROLLED DOCUMENT.

DWN 03JUN2004

K. GLATFELTER

CHK 08JUN2004

D. WERTMAN

APVD 11JUN2004

D. WERTMAN

PRODUCT SPEC

-

APPLICATION SPEC

-

WEIGHT

-

CUSTOMER DRAWING



TE Connectivity

NAME  
FERRULE KIT, SEALED, FLAT,  
126um, MINI EB

SIZE	CAGE CODE	DRAWING NO	RESTRICTED TO
------	-----------	------------	---------------

A300779	C=1754699		
---------	-----------	--	--

DIMENSIONS:

mm



TOLERANCES UNLESS OTHERWISE SPECIFIED:

- 0 PLC ±-
- 1 PLC ±-
- 2 PLC ±-
- 3 PLC ±-
- 4 PLC ±-
- ANGLES ±-

MATERIAL AS LISTED

FINISH N/A

SCALE 5:1	SHEET 1 OF 1	REV CI
-----------	--------------	--------