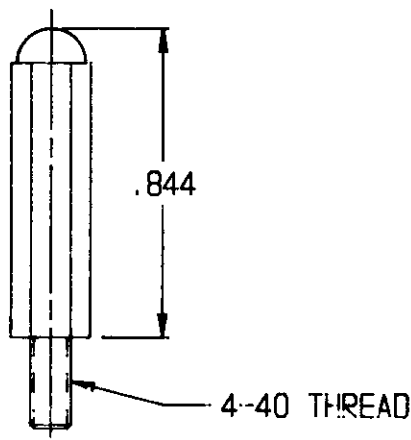
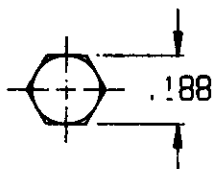


LOC	DIST	REVISIONS					
AD	47	P	LYR	DESCRIPTION	DATE	DWN	APVD
			A	REVISED PER EC 0430-0037-97	6-13-97	JG	DM



THIS DRAWING IS UNPUBLISHED.

RELEASED FOR PUBLICATION
 ALL RIGHTS RESERVED.
 BY AMP INCORPORATED.
 COPYRIGHT 19

767522-1
 PART
 NUMBER

DIMENSIONS: INCHES	DWN	J. GERACE	9-18-98	MATERIAL	DELRIN	FINISH	-
	GV	P. MATAR	9-18-98	AMP AMP Incorporated Harrisburg, PA 17105-3608			
TOLERANCES UNLESS OTHERWISE SPECIFIED:	APVD	A. MONK	9-18-98				
0 PLC ±-	PRODUCT SPEC	-	NAME	SUPPORT PILLAR			
1 PLC ±-	APPLICATION SPEC	-	SIZE	A4	CAGE CODE	00779	DRAWING NO
2 PLC ±-	WEIGHT	-	A4		00779	©-767522	
3 PLC ±.005	CUSTOMER DRAWING	SCALE		2:1	SHEET	1 of 1	REV
4 PLC ±-							A
ANGLES ±-							