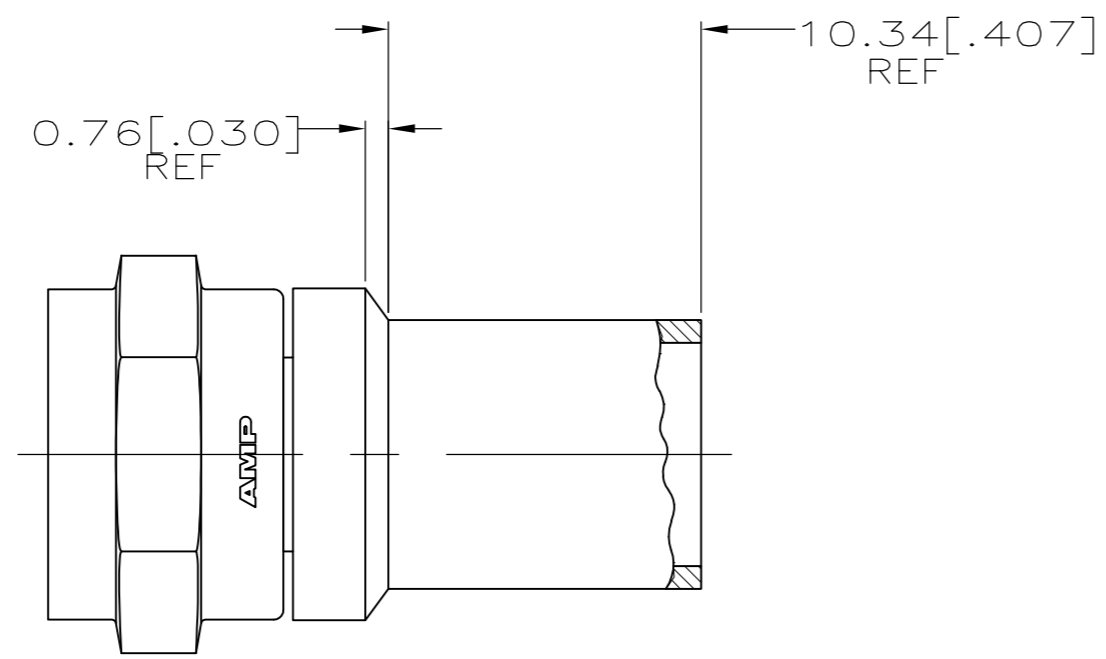


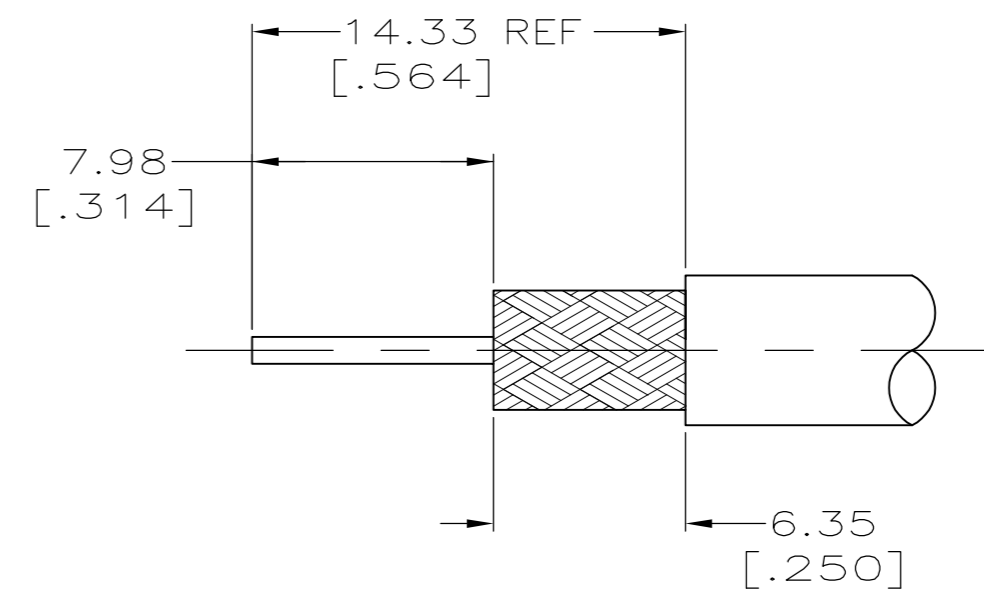
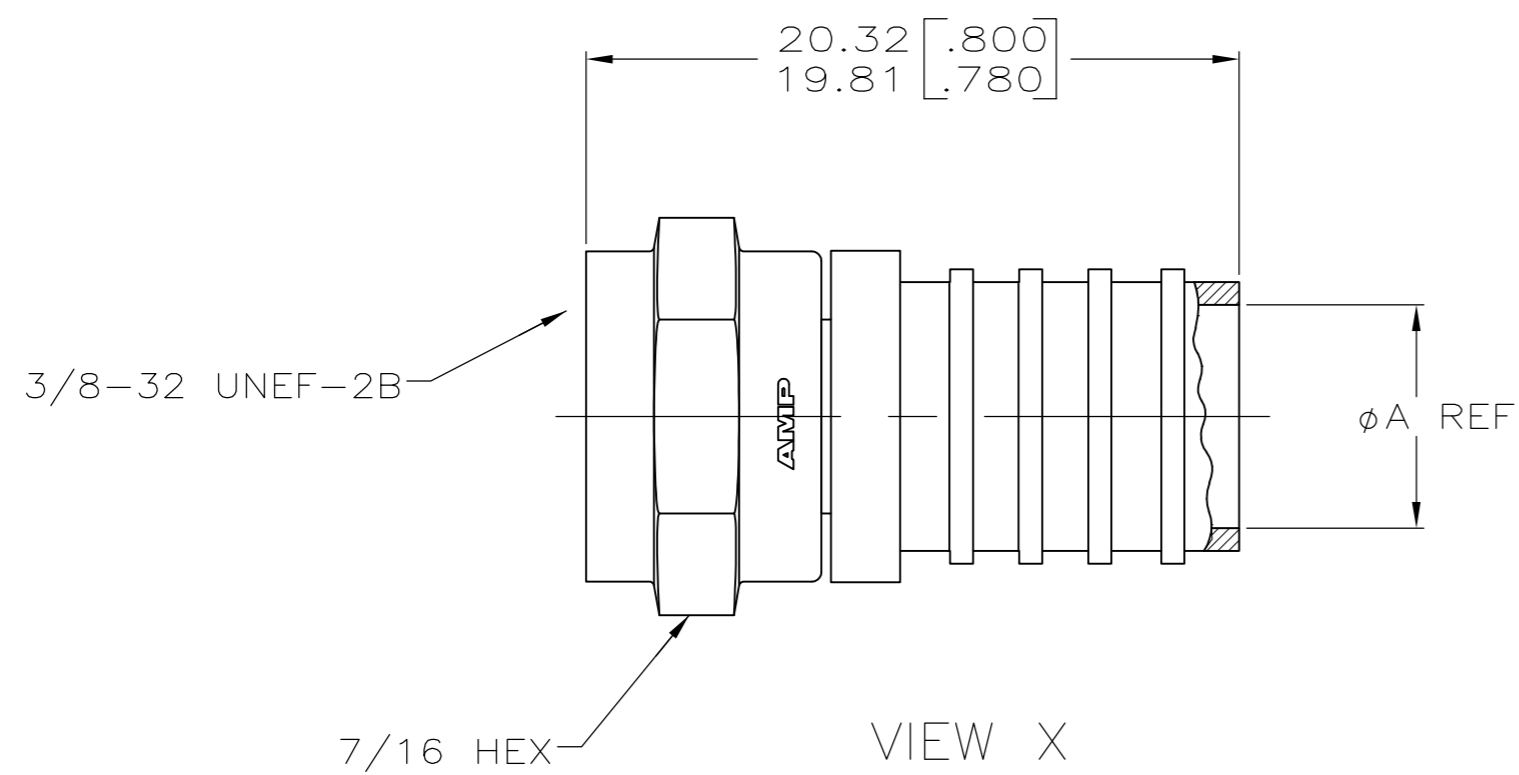
THIS DRAWING IS UNPUBLISHED. RELEASED FOR PUBLICATION
 © COPYRIGHT 2005 BY TYCO ELECTRONICS CORPORATION. ALL RIGHTS RESERVED.

LOC	DIST	REVISIONS				
P	LTR	DESCRIPTION	DATE	DWN	APVD	
AJ	16	J	REVISED PER EC 0514-0457-04	18NOV05	TS	DRD
		J1	REVISED PER ECO-09-021510	12SEP09	KK	AEG



VIEW Y
 SAME AS VIEW X
 EXCEPT AS SHOWN

- 1 BRASS PER QQ-B-626.
- 2 NICKEL PER QQ-N-290.
- 3 FOR USE WITH BELDEN 9104(RG-59 TYPE) CABLE.
- 4 FOR USE WITH RG-6/U CABLE.
- 5 FOR USE WITH BELDEN 9100 CABLE.
- 6 CHROMATE OVER ZINC PER ASTM B 633
- 7 FOR USE WITH RG-59/U CABLE.
- 8 58425-3, 58436-2 OR 58621-2
- 9 58622-2
- 10. SEE I.S. 408-9221
- 11 OBSOLETE PARTS: OBSOLETE CIS STREAMLINING PER D.RENAUD/D.SINISI



RECOMMENDED STRIP LENGTH

SUPSD BY 414766-8	X	8.00 [.315]	6	8	8.23 [.324]	7	1-414766-0
	X	8.00 [.315]	2	8	8.23 [.324]	7	414766-8
SUPSE BY 414766-5	X	7.37 [.290]	6	8	8.23 [.324]	3	414766-6
	X	7.37 [.290]	2	8	8.23 [.324]	3	414766-5
OBSOLETE	-Y	8.38 [.330]	2	8	8.23 [.324]	4	414766-2
11 OBSOLETE	-X	7.37 [.290]	2	9	7.75 [.305]	5	414766-1
VIEW		phi A	FINISH	PRO-CRIMPER DIE SET	CRIMP HEX	CABLE	PART NUMBER

THIS DRAWING IS A CONTROLLED DOCUMENT.		DWN	12MAR96	Tyco Electronics Corporation	
DIMENSIONS: mm [INCHES]		CHK	12MAR96	Harrisburg, PA 17105-3608	
TOLERANCES UNLESS OTHERWISE SPECIFIED:		APVD	12MAR96	NAME	
0 PLC	± -	W.R.GRAY JR.		PLUG, COAXIAL, F SERIES	
1 PLC	± -	W.R.GRAY JR.		-	
2 PLC	± 0.41[.016]	W.R.GRAY JR.		-	
3 PLC	± -	-		-	
4 PLC	± -	-		-	
ANGLES	± -	-		-	
MATERIAL	FINISH	WEIGHT	-	SIZE	A2
-	-	CUSTOMER DRAWING	SCALE	CAGE CODE	00779
			DRAWING NO	RESTRICTED TO	-
			SCALE	4:1	SHEET 1 OF 1
			REV	J1	