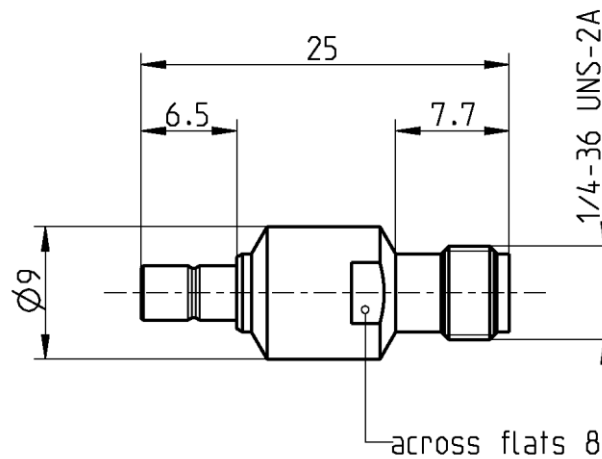


SMB  
SMA

Adaptor  
SMB Plug – SMA Jack

**59S132-K00L5**



All dimensions are in mm; tolerances according to ISO 2768 m-H

**Interface**

According to	SMB side:	IEC 60169-10, CECC 22130, MIL-PRF-39012
	SMA side:	IEC 60169-15; EN 122110; MIL-STD-348A, Fig. 310

**Documents**

N/A

**Material and plating**

**Connector parts**

Center contact  
Outer contact SMB side  
Outer contact SMA side  
Body  
Dielectric

**Material**

CuBe  
Brass  
CuBe or equiv.  
CuBe  
PTFE

**Plating**

AuroDur®, gold plated  
AuroDur®, gold plated  
AuroDur®, gold plated  
AuroDur®, gold plated

# Technical Data Sheet

# Rosenberger

SMB  
SMA

Adaptor  
SMB Plug – SMA Jack

## 59S132-K00L5

### Electrical data

Impedance	50 Ω	
Frequency	DC to 4 GHz	
Return loss	≥ 35 dB, DC to 1 GHz	
	≥ 27 dB, 1 to 4 GHz	
Insertion loss	≤ 0.05 x √f(GHz) dB	
Insulation resistance	≥ 1x10 <sup>9</sup> MΩ	
Center contact resistance	≤ 5 mΩ, SMB side	≤ 3 mΩ, SMA side
Outer contact resistance	≤ 2.5 mΩ, SMB side	≤ 2 mΩ, SMA side
Test voltage	750 V rms, 50 Hz, at sea level	
Working voltage	≤ 250 V rms, 50 Hz, at sea level	
Contact current	1.5 A DC typ.	
RF-leakage	≥ 55 dB up to 1 GHz	

### Mechanical data

	SMB side	SMA side
Mating cycles	min. 500	min. 500
Coupling test torque	N/A	max. 1.7 Nm
Recommended torque	N/A	0.8 Nm to 1.1 Nm
Center contact captivation: axial	≥ 10 N	≥ 10 N
Engagement force	≤ 63 N	N/A
Disengagement force	8 N min. to 63 N max.	N/A

### Environmental data

Temperature range	-55°C to +155°C
Thermal shock	MIL-STD-202, Meth. 107, Cond. B
Vibration	MIL-STD-202, Meth. 204, Cond. B
Corrosion	MIL-STD-202, Meth. 101, Cond. B
Moisture resistance	MIL-STD-202, Meth. 106
RoHS	compliant

### Tooling

N/A

### Suitable cables

N/A

### Weight

Weight 5.1 g/pce

While the information has been carefully compiled to the best of our knowledge, nothing is intended as representation or warranty on our part and no statement herein shall be construed as recommendation to infringe existing patents. In the effort to improve our products, we reserve the right to make changes judged to be necessary.

For the installation of the electrotechnical equipment, particular electrotechnical expertise is required.



Draft	Date	Approved	Date	Rev.	Engineering change number	Name	Date
Inge Mühlauer	06.07.07	Chr. Janßen	09.02.21	c00	20-1927	S. Huber-Siegl	09.02.21
Rosenberger Hochfrequenztechnik GmbH & Co. KG P.O.Box 1260 D-84526 Tittmoning Germany <a href="http://www.rosenberger.com">www.rosenberger.com</a>					Tel. : +49 8684 18-0 Email : <a href="mailto:info@rosenberger.com">info@rosenberger.com</a>		Page 2 / 2