

PRODUCT NUMBER
10117931-306LF

INDICATES THE PRODUCT IS RoHS
COMPATIBLE, SEE NOTE 6

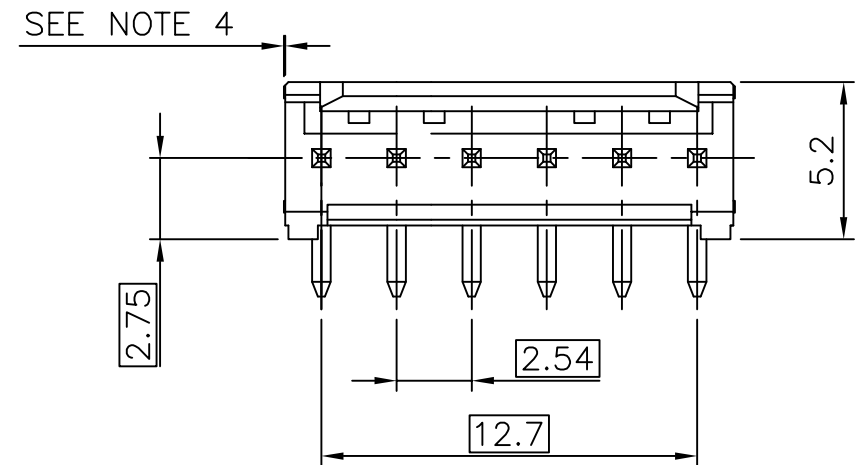
PLATING

0.76µm GOLD/GXT ON CONTACT AREA
3.81µm TIN-LEAD ON TAIL

OVER 1.27µm ni MIN

NUMBER OF POSITIONS

TOP VIEW



NOTES:

1. BODY MATERIAL: POLYESTER 30% GLASSFILLED COLOR BLUE, FLAME RETARDANT PER UL-94 V0.
2. CONTACT MATERIAL: PHOSPHOR BRONZE.
3. 22N MIN PIN RETENTION IN EITHER DIRECTION
4. 0.6 MAX PROTRUSION PERMITTED AT 4 PLACES
5. STANDARD PACKAGING IN POLYBAG
6. RoHS COMPATIBLE PRODUCT SPECIFICATIONS

a - PLATING:

- "LF" MEANS THE PRODUCT IS LEAD-FREE, 2µm MINIMUM MATTE TIN OVER 1.27µm MINIMUM NICKEL UNDERPLATE.

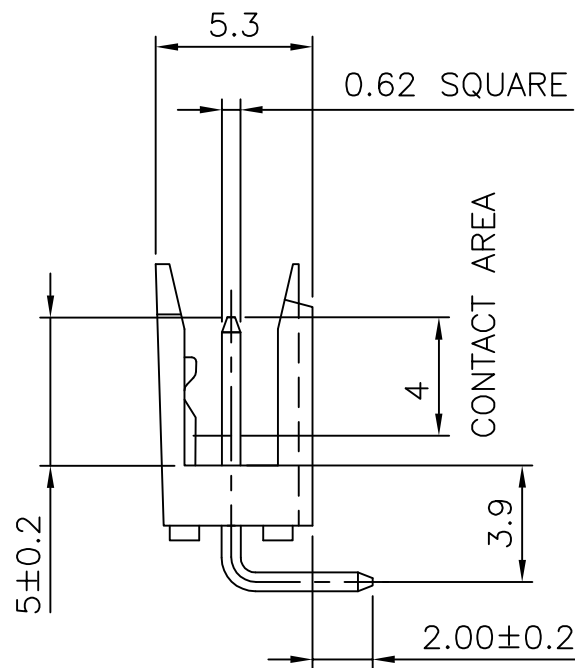
b - MANUFACTURING PROCESS COMPATIBILITY

- THE HOUSING WILL WITHSTAND EXPOSURE TO 245°C ±5°C SOLDER BATH TEMPERATURE FOR 5 SECONDS IN A WAVE SOLDER APPLICATION WITH A 1.6mm MIN THICK CIRCUIT BOARD.

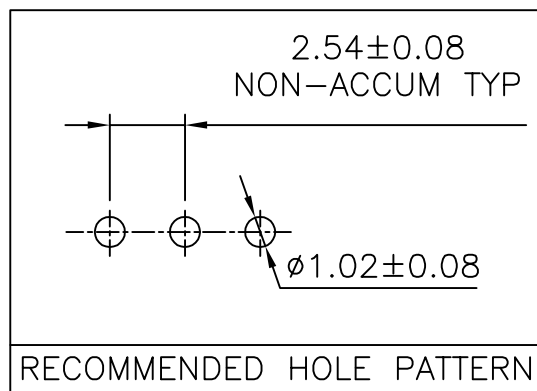
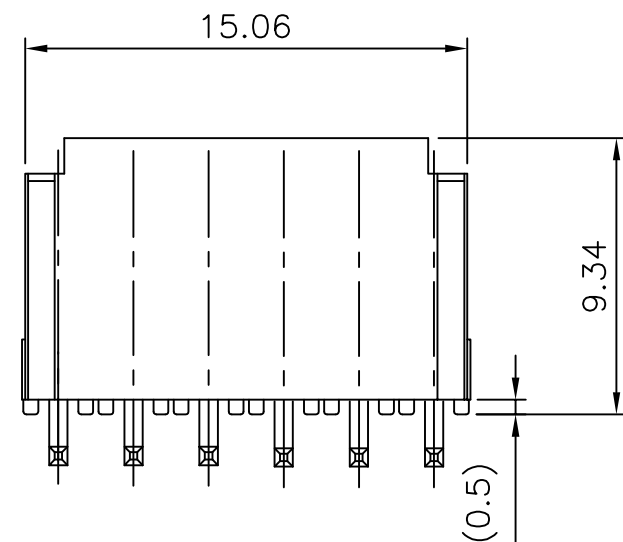
c - LABELING:

- MEETS PACKAGING SPECS AS PER GS-14-920

d - LEGAL STATEMENT: SEE GS-22-008



SOLDER AREA



RECOMMENDED HOLE PATTERN

mat'l. code		surface		tolerance		projection		product family	
SEE NOTE		ISO 1302 ✓		ISO 406 ISO 1101		mm		DUBOX	
ltr	ecn no	dr	date	tolerances unless otherwise specified				title	
A	F11-0048	LMU	11.05.11	angles	.X ±0.3			SHR. HEADER	
B	F11-0327	LMU	11.11.14	linear	.XX ±0.15			RA SR SHORT LEG	
					.XXX ±0.05	scale 5:1		sheet 1 of 1	
				dr	L.MULIN	11.03.30		size	
				engr	L.MULIN	11.03.30		A3	
				chr				10117931	
				appd	L.MULIN	11.03.30		CUSTOMER Drawing	
sheet index		revision sheet							