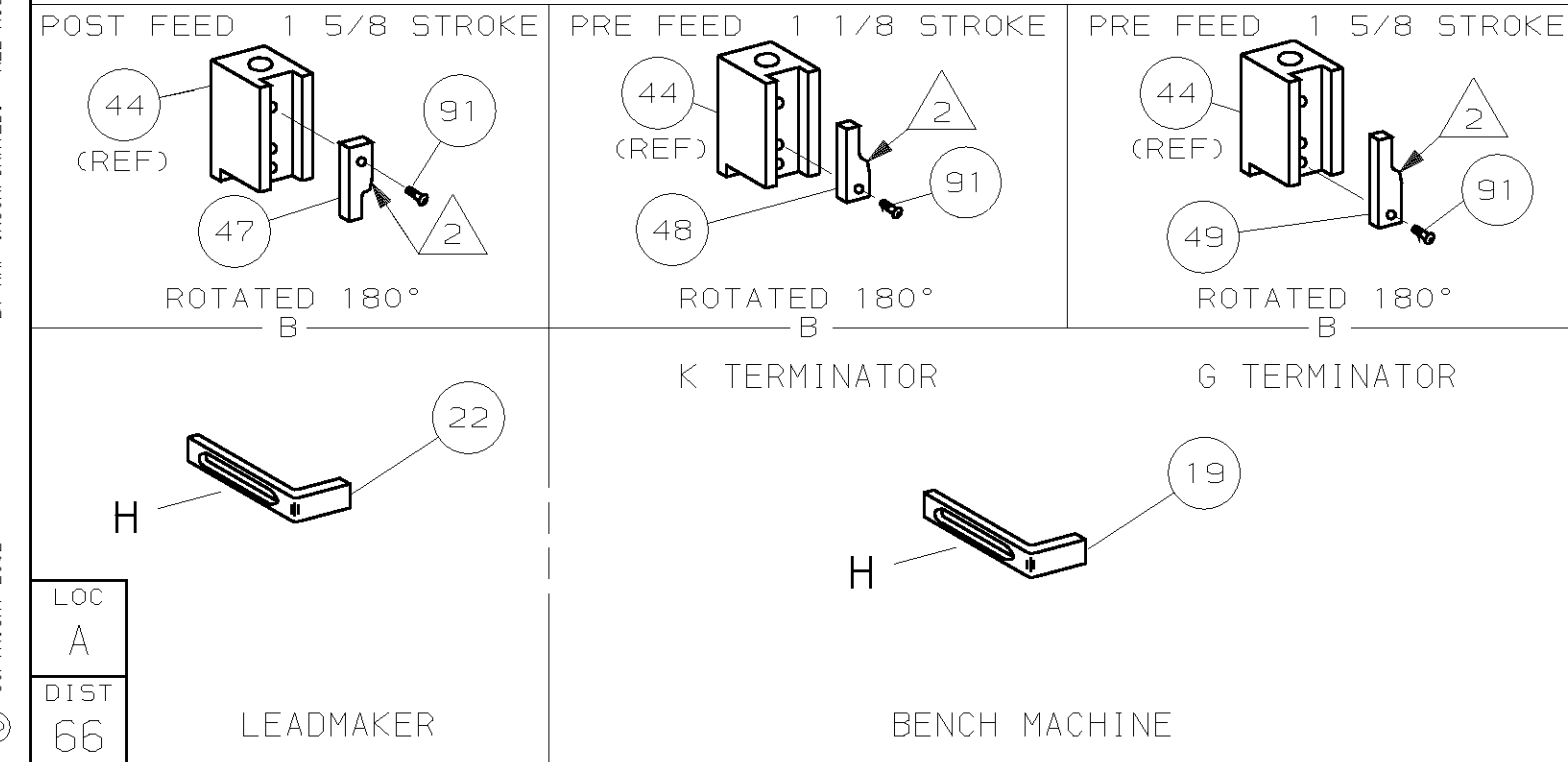
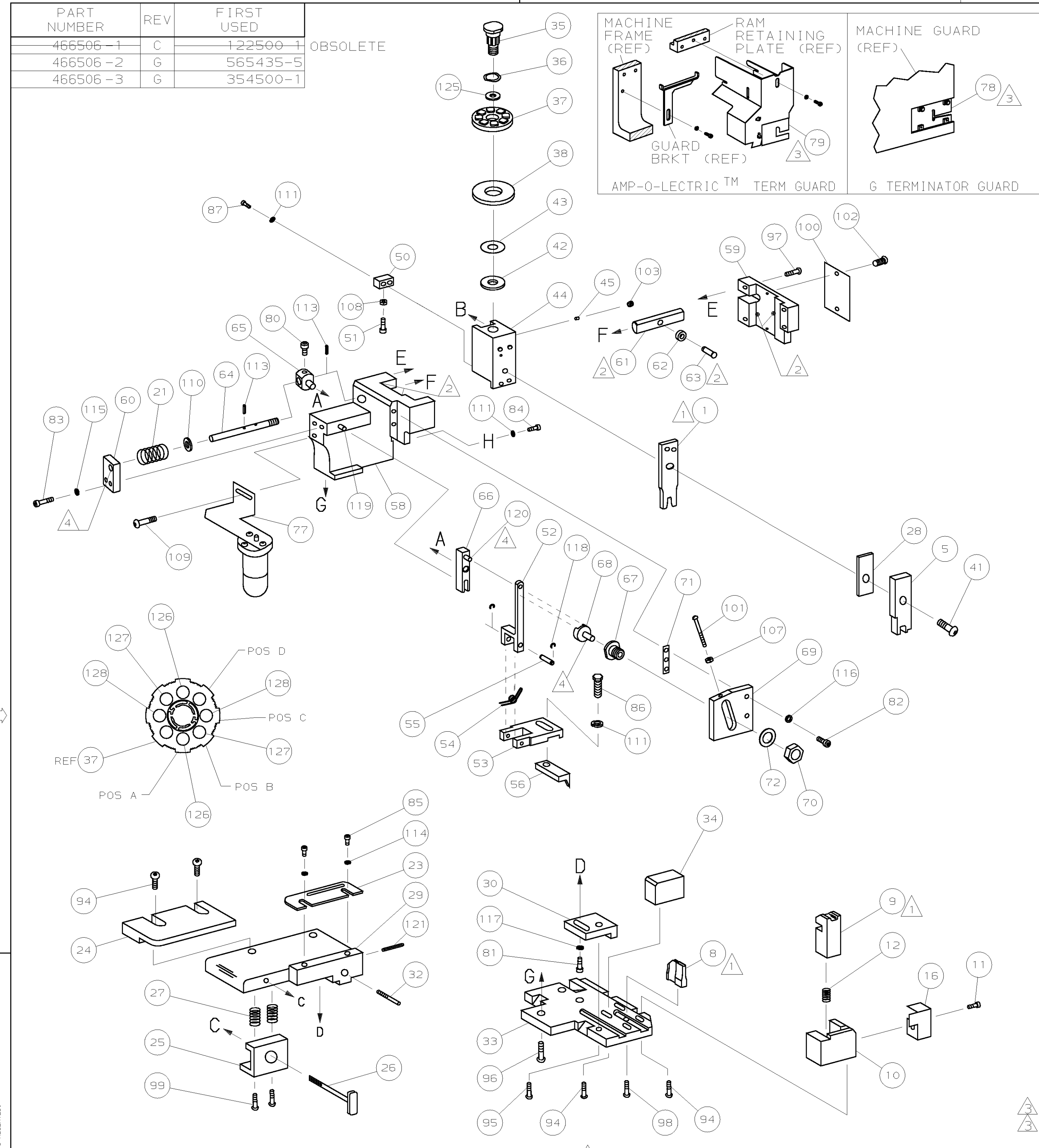


PART NUMBER	REV	FIRST USED
466506-1	C	122500-1
466506-2	G	565435-5
466506-3	G	354500-1

OBSOLETE



- 1 RECOMMENDED SPARE PARTS.
- 2 GREASE LIGHTLY.
- 3 GUARD MUST BE IN PLACE WHEN OPERATING APPLICATOR IN A BENCH MACHINE.
- 4 LUBRICATE DAILY USING NO. 20 MACHINE OIL.
- 5. ITEMS WITH QTY OF REF SPECIFIED (EXCEPT ITEMS 78 AND 79) ARE USED ON ITEM 46.

P.I.N		S.O.C.K.E.T		AMP TERMINAL		AMP CRIMP SPECS	
P.I.N	S.O.C.K.E.T	C.R.I.M.P H.E.I.G.H.T		W.I.R.E S.I.Z.E			
205310	205311	A	.032 ± .002 [0.81 ± 0.05mm]	24			
		B	.030 ± .002 [0.76 ± 0.05mm]	26			
		C	.028 ± .002 [0.71 ± 0.05mm]	28			
		D	NOT	USED			
		C.R.I.M.P S.I.Z.E		T.Y.P.E		R.A.N.G.E	
		W.I.R.E .042 [1.07mm]		F		28-24	
		I.N.S.U.L.					
W.I.R.E S.T.R.I.P L.E.N.G.T.H		T.E.R.M A.P.P.L S.P.E.C		F.E.E.D		A.P.P.L I.N.S.T.R.U.C.T.I.O.N	
-		114-10000		.300		408-8040	
						S.E.T U.P G.A.G.E	
						L.A.Y.O.U.T	
						472	

QTY	REF	REF	REF	PART NO	DESCRIPTION	ITEM NO		
2	2	2	-	C	6-354779-6	PIN, WIRE DISC (.3320)C	129	
2	2	2	-	C	6-354779-2	PIN, WIRE DISC (.3300)B	128	
2	2	2	-	C	5-354779-8	PIN, WIRE DISC (.3280)A	126	
1	1	1	-	A	986950-1	WASHER, FLAT PRECISION	125	
1	1	1	-	A	217238-1	GENERAL INSTRUCTION PACKAGE	124	
1	1	1	-	-	4088040	SF APPL INST 408-8040	123	
							122	
1	1	1	-	A	4-21028-0	PIN, SLT SPR (Ø.093x.75) ST GDE PL	121	
REF	REF	REF	-	A	1-21030-1	PIN, DOWEL (Ø.187x.50) LEVER	120	
REF	REF	REF	-	A	1-21030-6	PIN, DOWEL (Ø.187x1.25) HOUSING	119	
REF	REF	REF	-	A	21045-3	RING, RET "C" (Ø.187) FD FING PIN	118	
1	1	1	-	A	21024-5	WASHER, LOCK (#10) ADJ BLK	117	
REF	REF	REF	-	A	21024-5	WASHER, LOCK (#10) ADJ PLATE	116	
REF	REF	REF	-	A	21024-5	WASHER, LOCK (#10) FEED GDE ROD	115	
2	2	2	-	A	21024-2	WASHER, LOCK (#4) FRONT STP GUIDE	114	
REF	REF	REF	-	A	5-21028-1	PIN, SLT SPR (Ø.125x.50) ADJ ROD	113	
							112	
4	4	4	-	A	21024-4	WASHER, LOCK (#8) STRIPPER	111	
REF	REF	REF	-	A	21899-4	WASHER, FLAT (Ø5/16) SCREW ADJ	110	
-	1	-	-	A	2-21002-6	SCR, BHC (10-32x.38) LUBE ASSY	109	
1	1	1	-	A	21018-5	NUT, HEX (NO. 6) HOLDDOWN	108	
REF	REF	REF	-	A	21068-5	NUT, HEX (6-32) FEED ADJ	107	
							106	
							105	
							104	
1	1	1	-	A	21009-2	SCR, SKT 5ET (1/4-20x.25 LW) RAM	103	
2	2	2	-	A	21017-2	SCR, DRIVE (#2x.19) ID PLATE	102	
REF	REF	REF	-	A	6-23715-5	SCR, PAN HD (6-32x1.50) FEED ADJ	101	
1	1	1	-	B	461264-1	PLATE, IDENTIFICATION	100	
2	2	2	-	A	3-21002-0	SCR, BHC (10-32x.88) DRAG	99	
1	1	1	-	A	22733-8	SCR, BHC (8-32x.38 LW) ANVIL	98	
REF	REF	REF	-	A	2-21002-9	SCR, BHC (10-32x.75) CAP	97	
REF	REF	REF	-	A	2-22733-8	SCR, BHC (1/4-20x.62) HOUSING	96	
REF	REF	REF	-	A	2-21002-7	SCR, BHC (10-32x.50) 56 ADJ BLOCK	95	
6	6	6	-	A	2-21002-2	SCR, BHC (8-32x.50) TERM H DWN	94	
							93	
							92	
							91	
1	1	1	-	A	1-21002-7	SCR, BHC (6-32x.38) CAM	90	
							89	
							88	
							87	
2	2	2	-	A	9-21000-9	SCR, SHC (8-32x.44) DEP-HOLD	86	
1	1	1	-	A	2-22603-0	SCR, HEX HD (8-32x.31) FEED FINGER	85	
2	2	2	-	A	1-21000-3	SCR, SHC (4-40x.25) FR ST GUIDE	84	
1	1	1	-	A	2-21000-7	SCR, SHC (8-32x.50) STRIPPER	83	
REF	REF	REF	-	A	3-21000-7	SCR, SHC (10-32x.75) FEED ROD GD	82	
REF	REF	REF	-	A	3-21000-6	SCR, SHC (10-32x.62) FD ADJ BLK	81	
1	1	1	-	A	3-21000-4	SCR, SHC (10-32x.38) 56 ADJ BL	80	
REF	REF	REF	-	A	3-21000-4	SCR, SHC (10-32x.38) PIVOT BLK	79	
-	REF	-	-	B	455749-1	GUARD, WINDOW	78	
REF	-	-	-	B	679532-1	INSERT, GUARD	77	
-	1	-	-	C	1-465184-0	LUBRICATOR ASSY	76	
							75	
							74	
							73	
REF	REF	REF	-	A	458109-1	WASHER, SPECIAL	72	
REF	REF	REF	-	A	690517-1	SPACER	71	
QTY	REF	REF	REF	U/M	DWG SIZE	PART NO	DESCRIPTION	ITEM NO

QTY		REF		P.A.R.T S.L.I.C.K		P.A.R.T S.L.I.C.K		
QTY	REF	REF	REF	U/M	DWG SIZE	PART NO	DESCRIPTION	
-1							LEADMAKER	
-2							BENCH MODEL K	MECH POST FEED
-3							BENCH MODEL G	MECH PRE FEED
REF	REF	REF	-	B		22594-8	NUT, HEX (1/2-20)	70
REF	REF	REF	-	B		240628-1	PLATE, ADJUSTMENT	69
REF	REF	REF	-	B		240626-1	SHAFT, PIVOT	68
REF	REF	REF	-	B		240633-1	BUSHING	67
REF	REF	REF	-	A		455680-1	LEVER, INTERMEDIATE	66
REF	REF	REF	-	B		240629-1	BLOCK, PIVOT	65
REF	REF	REF	-	A		240632-2	SCREW, ADJ FEED ROD	64
REF	REF	REF	-	B		240659-3	PIN, CAM ROLLER	63
REF	REF	REF	-	B		240658-1	ROLLER, CAM	62
REF	REF	REF	-	B		454398-2	ROD, FEED	61
REF	REF	REF	-	A		454178-1	GUIDE, FEED ROD	60
REF	REF	REF	-	C		454220-1	CAP, RAM	59
REF	REF	REF	-	D		454485-1	HOUSING	58
								57
								56
1	1	1	-	B		690542-2	PAWL, FEED	55
REF	REF	REF	-	B		240624-1	PIN, FEED FINGER	54
REF	REF	REF	-	B		691499-1	SPRING, FEED FINGER	53
REF	REF	REF	-	B		690541-1	HOLDER, FEED FINGER	52
REF	REF	REF	-	A		455679-1	LEVER, TERMINAL FEED ARM	51
1	1	1	-	A		811242-2	BUMPER, HOLDDOWN	50
1	1	1	-	A		690753-1	SPACER, TONKER	49
1	-	-	-	B		690602-6	CAM, PRE-FEED 1 5/8 ST	48
-	1	-	-	B		690602-5	CAM, PRE-FEED 1 1/8 ST	47
-	-	-	-	B		690501-4	CAM, POST-FEED 1 5/8 ST	46
1	1	1	-	B		459456-1	APPLICATOR, BASIC (SUBASSY)	45
1	1	1	-	A		690191-1	PLUG, NYLON	44
1	1	1	-	C		455673-1	RAM	43
1	1	1	-	A		690125-1	WASHER, LAMINATED	42
1	1	1	-	A		690124-1	WASHER, RAM	41
1	1	1	-	A		7-21002-9	BOLT, CRIMPER (5/16x1.00)	40
								39
								38
1	1	1	-	A		690223-2	SPACER, INSULATION DISC	37
1	1	1	-	D		354777-1	WIRE DISC, PLASTIC	36
1	1	1	-	A		22480-5	WASHER, SPRING	35
1	1	1	-	B		690212-1	POST, RAM	34
1	1	1	-	B		692776-1	SUPPORT, TERMINAL	33
REF	REF	REF	-	D		455675-1	PLATE, BASE	32
1	1	1	-	A		690432-3	SCREW, ADJUSTMENT	31
								30
REF	REF	REF	-	B		455689-1	BLOCK, STRIP GUIDE ADJ	29
1	1	1	-	C		1-455671-0	PLATE, STRIP GUIDE	28
1	1	1	-	C		1-455888-0	SPACER, FRONT SHEAR DEP	27
2	2	2	-	A		1-22284-0	SPRING, DRAG	26
1	1	1	-	B		690546-1	LEVER, DRAG RELEASE	25
1	1	1	-	B		240792-1	DRAG, TERMINAL	24
1	1	1	-	D		6-690504-4	GUIDE, STRIP (REAR)	23
1	1	1	-	A		690438-1	GUIDE, STRIP (FRONT)	22
-	-	-	-	B		690472-2	STRIPPER	21
REF	REF	REF	-	A		4-22284-9	SPRING, FEED RETURN	20
								19
1	1	-	-	B		692448-3	STRIPPER	18
								17
								16
1	1	1	-	B		318563-1	GUARD, CHIP, FRONT	15
								14
								13
								12
1	1	1	-	A		5-22280-0	SPRING, SHEAR	11
1	1	1	-	B		690461-1	STOP, SHEAR	10
1	1	1	-	C		690459-1	HOLDER, SHEAR (FRONT)	9
1	1	1	-	C		462006-1	SHEAR, FLOAT (FRONT)	8
1	1	1	-	C		2-690512-9	ANVIL	7
								6
								5
								4
								3
								2
1	1	1	-	C		456401-3	CRIMPER, WIRE	1
QTY	REF	REF	REF	U/M	DWG SIZE	PART NO	DESCRIPTION	ITEM NO

THIS DRAWING IS A CONTROLLED DOCUMENT.

2002

RELEASABLE FOR PUBLICATION
BY AMP INCORPORATED. ALL RIGHTS RESERVED.

THIS DRAWING IS UNRELEASABLE
COPYRIGHT 2002