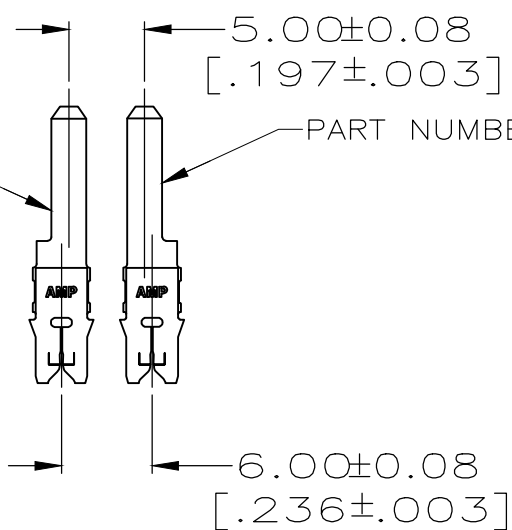


THIS DRAWING IS UNPUBLISHED. RELEASED FOR PUBLICATION  
 © COPYRIGHT - By - ALL RIGHTS RESERVED.

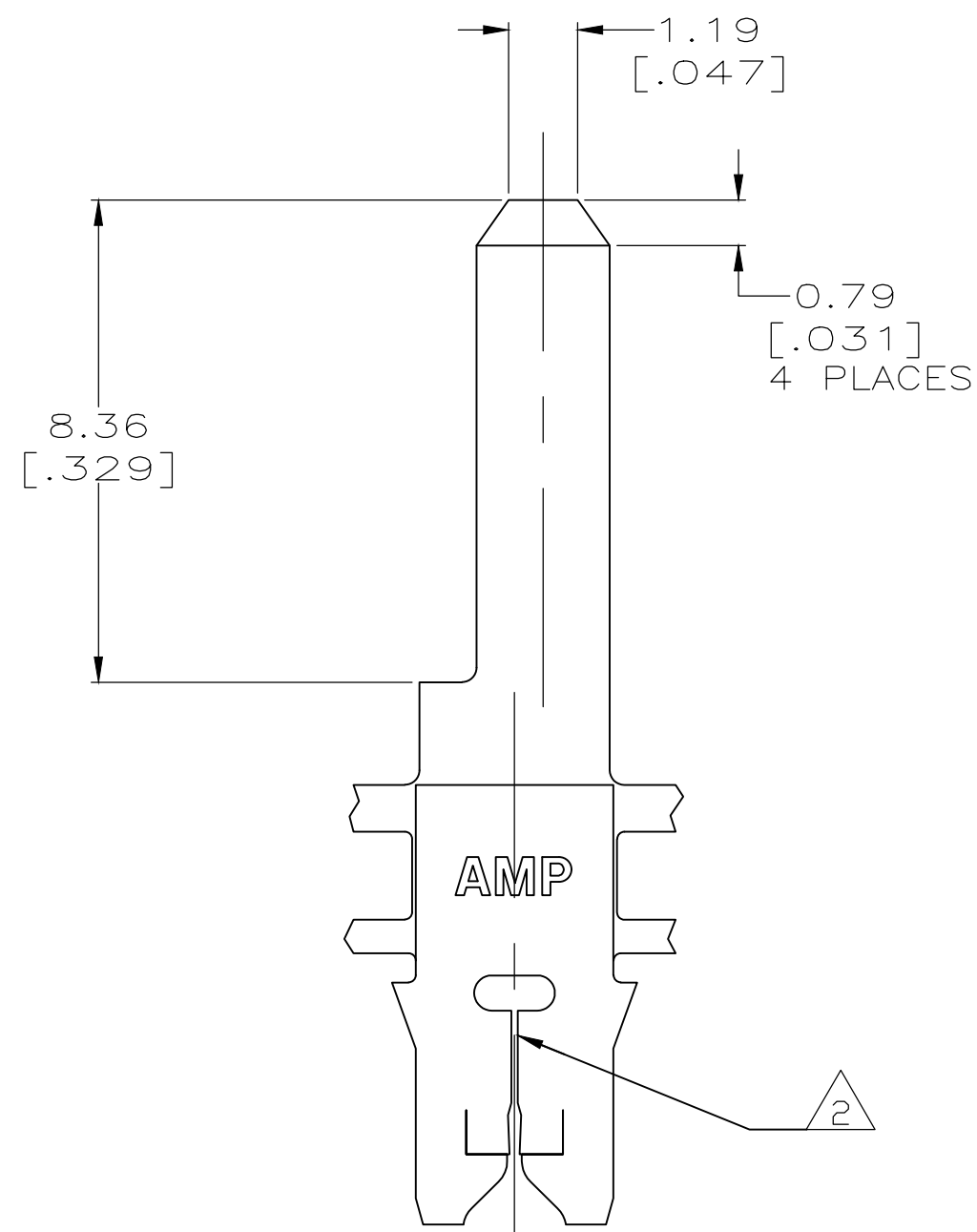
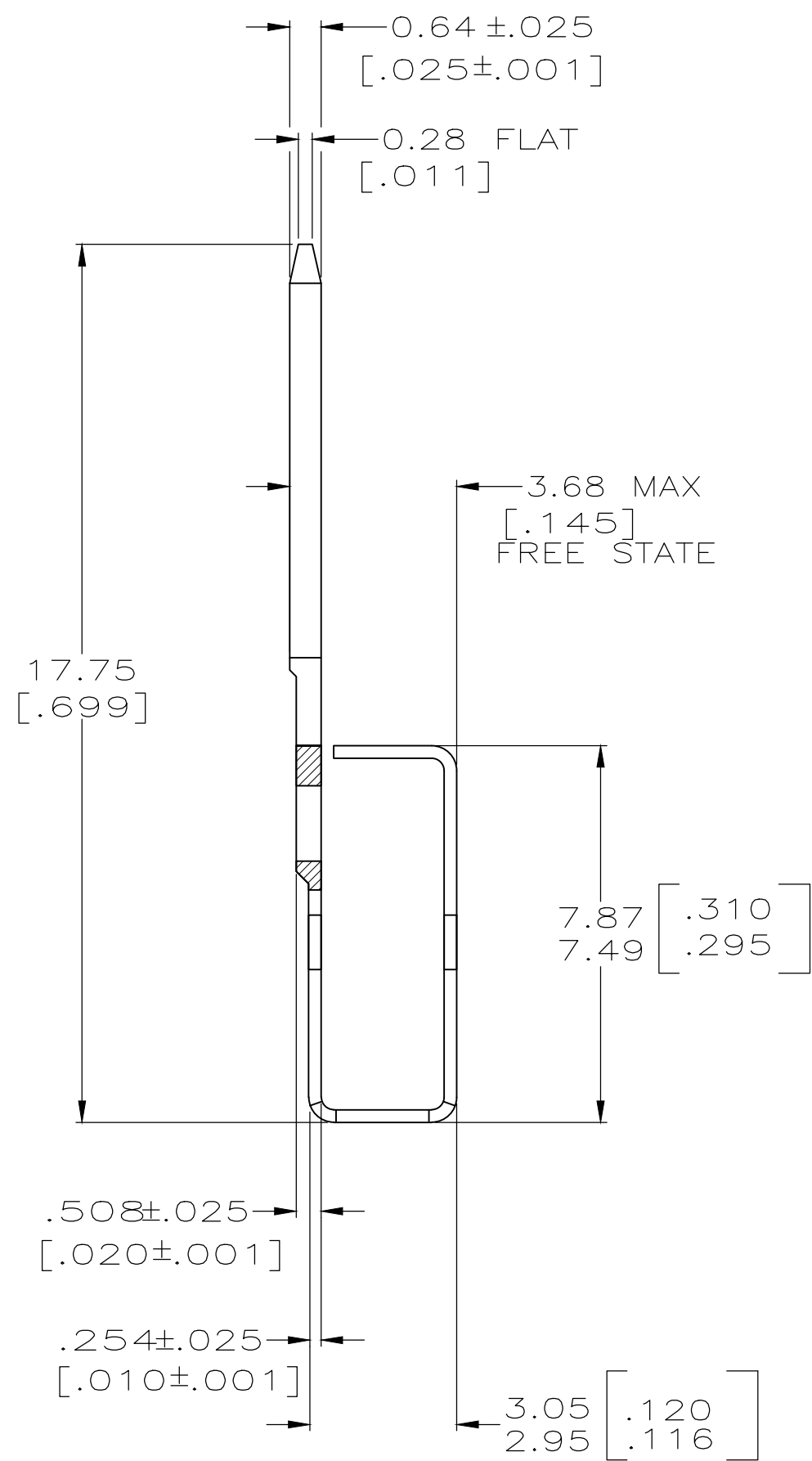
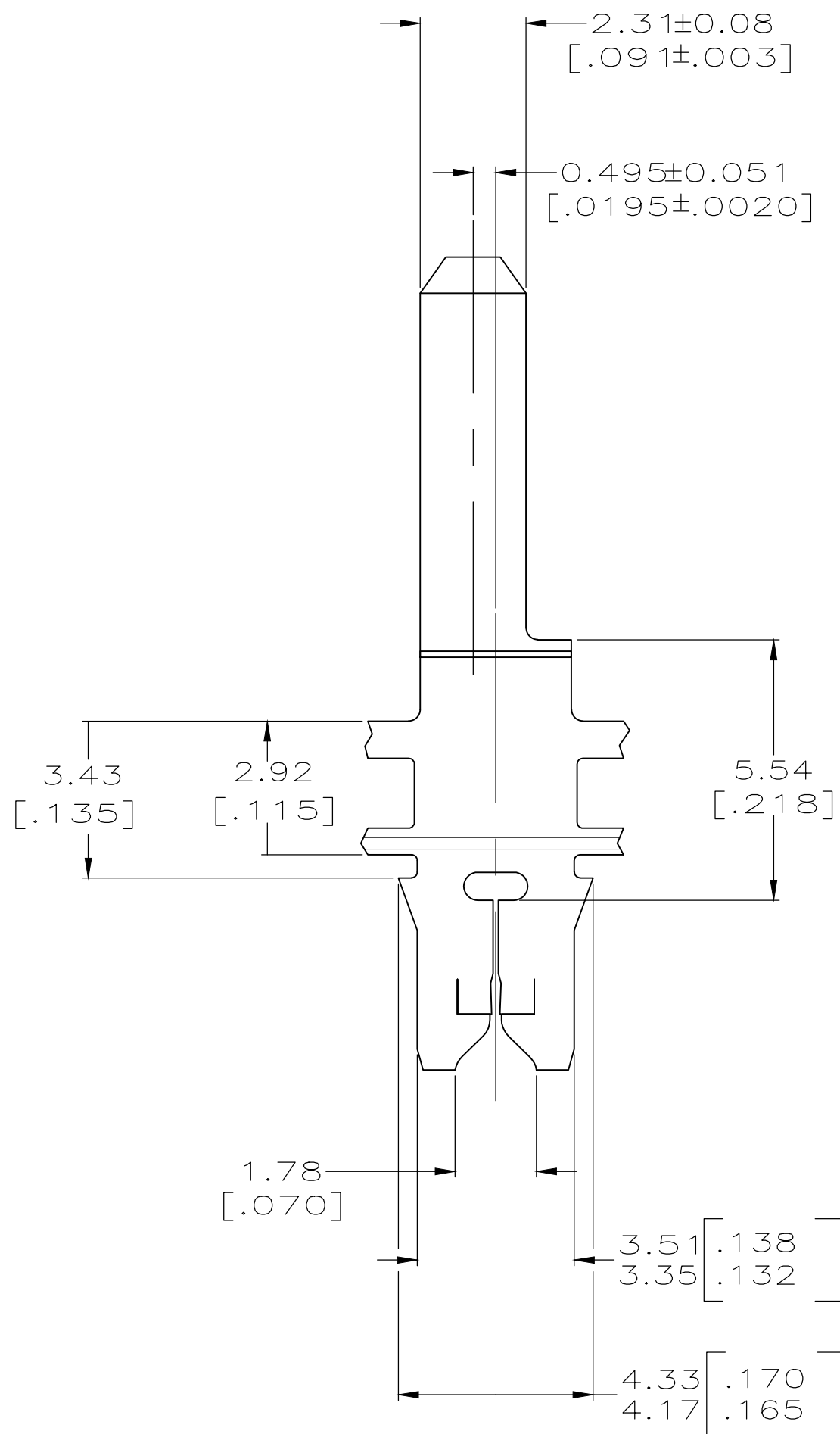
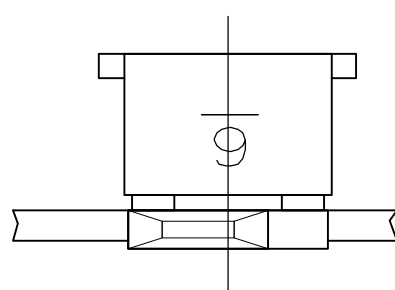
LOC	DIST	REVISIONS			
P	LTR	DESCRIPTION	DATE	DWN	APVD
AF	50				
	D2	REVISED PER ECR-18-006427	10AMAY2018	BW	SV

PART NUMBER 1217052-1 PART NUMBER 1217051-1



INSERTED DIMENSIONS  
SCALE 2:1

- 1 CONTINUOUS STRIP ON REELS WITH TERMINALS LOCATED ON 5.59±0.08 [.220±.003] CENTERS
- 2 SLOT TERMINATES EITHER A SINGLE OR DOUBLE MAGNET WIRE OF THE SAME TYPE AND SIZE, COPPER RANGE: 0.25-0.36mm [#30-#27] AWG. ALUMINIUM RANGE: 0.32-0.45mm [#28-#25] AWG. ALUMINIUM WIRE RANGE IS APPLICABLE FOR POST TIN PLATED PART NOS ONLY
- 3 SPECIAL PACKAGE MARKINGS- ORANGE COLOR CODE TAG NEXT TO REEL TAG



1217052-1  
PART NUMBER

THIS DRAWING IS A CONTROLLED DOCUMENT.		DWN MICHAEL S. FEHER 19JAN98	TE Connectivity	
DIMENSIONS: INCHES		CHK RICHARD GRZYBOWSKI 20JAN98	NAME TAB, 2.31 [.091], RIGHT HAND, MAG-MATE	
TOLERANCES UNLESS OTHERWISE SPECIFIED: 0 PLC ± - 1 PLC ± - 2 PLC ± 0.13 [.005] 3 PLC ± - 4 PLC ± - ANGLES ± -		APVD NELSON E. NEFF 21JAN98	PRODUCT SPEC 108-2012 APPLICATION SPEC 114-2046	
MATERIAL BRASS	FINISH TIN PLATED	WEIGHT	SIZE A2	CAGE CODE 00779
CUSTOMER DRAWING		SCALE 8:1	DRAWING NO C=1217052	RESTRICTED TO -
		SHEET 1 of 1	REV D2	