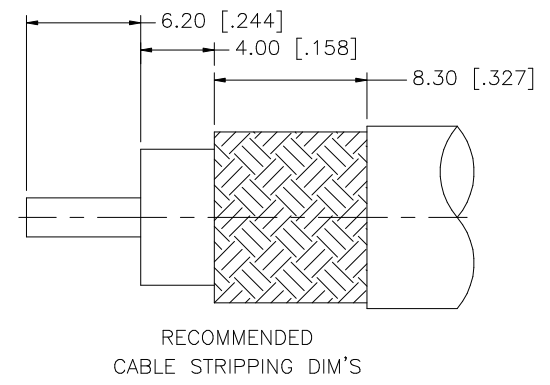
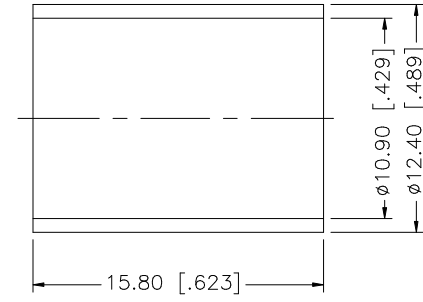
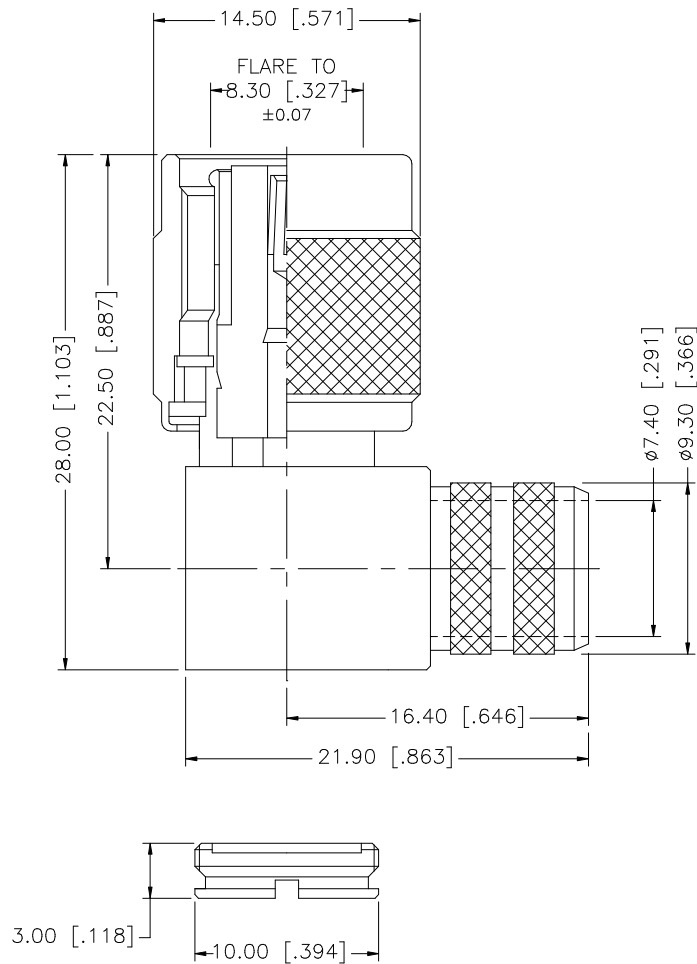


REV.	DATE	DESCRIPTION
NC	04/25/06	INITIAL RELEASE



NOTE:
1. CRIMPED FERRULE – HEX CRIMP SIZE .429"

NO.	DESCRIPTION	MATERIAL	FINISH	QTY	UNLESS OTHERWISE SPECIFIED DIMENSIONS ARE IN MILLIMETERS. DIMENSIONS IN [] ARE IN INCHES AND FOR CUSTOMER REFERENCE ONLY.	APPROVALS	DATE	<h1 style="color: blue; margin: 0;">Amphenol Connex</h1>			
8					<p>UNLESS OTHERWISE SPECIFIED TOLERANCES FOR MILLIMETERS ARE: 0.5 – 8mm ± 0.20mm 8 – 30mm ± 0.40mm 30 – 120mm ± 0.50mm</p> <p>UNLESS OTHERWISE SPECIFIED TOLERANCES FOR INCHES ARE: .020 – .315 = ± 0.007" .315 – 1.180 = ± 0.015" 1.180 – 4.724 = ± 0.020"</p> <p>DO NOT SCALE DRAWING</p>	DRAWN	G.R.S.		04/25/06	PART DESCRIPTION TNC REVERSE POLARITY R/A CRIMP PLUG (FOR RG-8/U, 213/U, LMR400, BELDEN 9913,9914)	
7				CHECKED				PART NO. 122416RP			
6				ISSUED							
5	COVER	BRASS	NICKEL	1		UNLESS OTHERWISE SPECIFIED DIMENSIONS ARE IN MILLIMETERS. DIMENSIONS IN [] ARE IN INCHES AND FOR CUSTOMER REFERENCE ONLY.	SHEET	1 OF 1	DWG. NO. 122416RP.DWG		
4	FERRULE	COPPER	NICKEL	1			CAD FILE	C:/122/122416RP.DWG		REV. NC	SIZE A
3	CONTACT PIN	PHOS. BRONZE	GOLD	1							
2	INSULATOR	TEFLON	NATURAL	1							
1	BODY	BRASS	NICKEL	1							