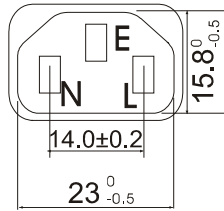


Customer Signature:

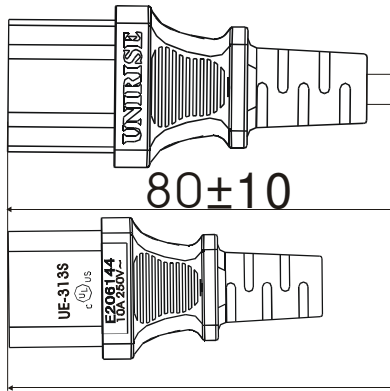
Customer Stamp:

Items	Content Revised	Date
1		
2		

E-grenn、L-black、N-white

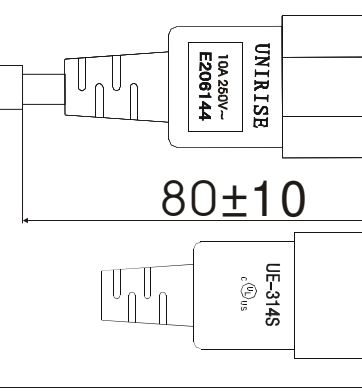


UE-313S 10A 250V E206144

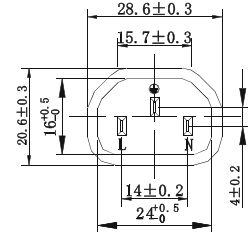


Label

UE-314S 10A 250V E206144



E-grenn、L-black、N-white

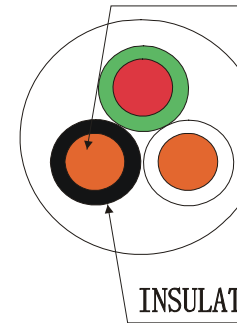


L±30

**Technical requirements:**

- 1.Plug: a. UE-313S, Current (A) :10, Voltage (V) :250 Approved: UL  
b. UE-314S ,Current(A):10, Voltage(V)250, Approved: UL
- 2.Cord: SJT #18/3C 105°C unirise press word Approved: UL
- 3.High Voltage Tested: 1500V/S No Attacked, No Flicker
- 4.No nick, Spot, Mottle Nn Appearance and Wording is Clearly
- 5.The All Material Compliance with RoHS and REACH

CONDUCTOR: 41X0.16±0.008



JACKET:  $\Phi 7.7 \pm 0.2$

INSULATION:  $\Phi 2.8 \pm 0.2$

**CORD MARKING:**

E176096 (UL) SJT VW-1 105°C 300V 3x0.824mm<sup>2</sup> (18AWG) Or  
C(UL) SJT FT1 105°C 300V 3x0.824mm<sup>2</sup> (18AWG) UNIRISE

Items	Part Number	Description	Colour
1	---	Blade of UE-314S	/
2	---	PVC of plug 60P UE-314S	/
3	316313903	Blade of UE-313S	White
4	---	PVC of plug 60P UE-313S	/
5	CX91218322-4	SVT 3X18AWG 105°C	/

Drawing No.	Type	Power Supply Cord UE-313S+UE-314S			
Drawn by	Yanjiale 2021-9-23	Unit	mm	Sample Part NO.	PWCD-C13C14-10A-XXF-BLK
Checked by	songyu	Customer	CSA UNC		
Approved by	Jason	Angle			

