



## 80x80x25mm

- **Airflow:** 47.4~80.0 CFM
- **Static Pressure:** 6.8~17.2 mm-H<sub>2</sub>O
- **Blade / Housing:** Plastic Material UL 94V-0 P.B.T.
- **Lead Wire:** UL1007 #24 AWG
- **Weight:** 103.5 g

Model No.	Bearing	Rated Voltage	Operating Voltage Range	Speed	Max. Airflow	Max. Static Pressure	Current	Power Consumption	Life at 40°C L10	P-Q Curve	Noise Level
		VDC	VDC	RPM	CFM	mm-H <sub>2</sub> O	mA	W	Hour		dB(A)
HYW08025012BL	2B	12	7~13.2	3800	47.4	6.8	180	2.16	80000	5	39.5
HYW08025012BM	2B		7~13.2	4400	55.7	9.0	260	3.12	80000	4	43.5
HYW08025012BH	2B		7~13.2	5000	62.3	11.3	330	3.96	75000	3	46.7
HYW08025012BS	2B		7~13.2	5600	70.0	14.2	480	5.76	65000	2	50.0
HYW08025012BSS	2B		7~13.2	6200	80.0	17.2	600	7.20	65000	1	53.5
HYW08025024BL	2B	24	12~26.4	3800	47.4	6.8	100	2.40	80000	5	39.5
HYW08025024BM	2B		12~26.4	4400	55.7	9.0	130	3.12	80000	4	43.5
HYW08025024BH	2B		12~26.4	5000	62.3	11.3	180	4.32	75000	3	46.7
HYW08025024BS	2B		12~26.4	5600	70.0	14.2	220	5.28	65000	2	50.0
HYW08025024BSS	2B		12~26.4	6200	80.0	17.2	330	7.92	65000	1	53.5
HYW08025048BL	2B	48	24~56.0	3800	47.4	6.8	65	3.12	80000	5	39.5
HYW08025048BM	2B		24~56.0	4400	55.7	9.0	85	4.08	80000	4	43.5
HYW08025048BH	2B		24~56.0	5000	63.2	11.3	100	4.80	75000	3	46.7
HYW08025048BS	2B		24~56.0	5600	70.0	14.2	130	6.24	65000	2	50.0
HYW08025048BSS	2B		24~56.0	6200	80.0	17.2	160	7.68	65000	1	53.5

2B: 2-ball bearing L: sintetico bearing S: sleeve bearing

**Voltage Available**

05 12 24 48

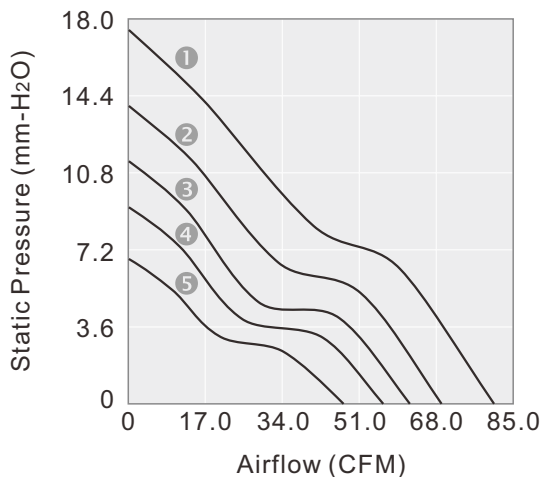
**Bearing System Available**

2B L S

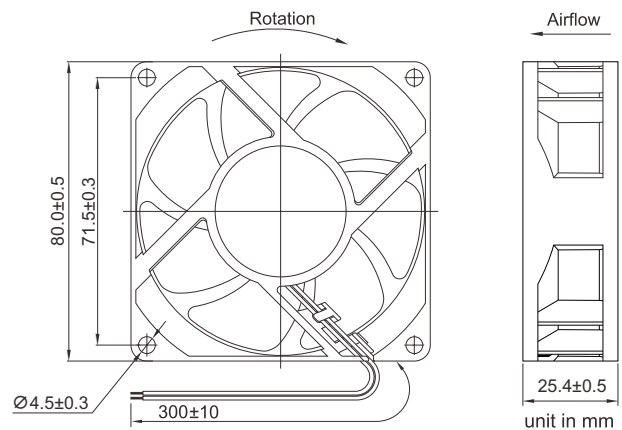
**Function Available**

N A I F R Q S T M V C P D W U

### PERFORMANCE P-Q CURVE



### OUTLINE DIMENSIONS



Please refer to *Model Numbering System* for bearing, function and speed level indication.

Specifications are subject to changes without notice. Please refer to the formally issued product specification via contacting Y.S. TECH sales department. Visit Y.S. TECH web site at <http://www.ystechUSA.com> for updated information. Customized Specifications are designed accordingly