

MMPQ2907A
SURFACE MOUNT
PNP SILICON
QUAD TRANSISTORS



www.centrasemi.com

DESCRIPTION:

The CENTRAL SEMICONDUCTOR MMPQ2907A, consisting of four transistors and available in the SOIC-16 surface mount package, is designed for general purpose amplifier and switching applications.



SOIC-16 CASE

MARKING: FULL PART NUMBER

MAXIMUM RATINGS: ($T_A=25^\circ\text{C}$)

Collector-Base Voltage
Collector-Emitter Voltage
Emitter-Base Voltage
Continuous Collector Current
Power Dissipation
Operating and Storage Junction Temperature
Thermal Resistance (Total Package)
Thermal Resistance (Each Transistor)

SYMBOL		UNITS
V_{CBO}	60	V
V_{CEO}	60	V
V_{EBO}	5.0	V
I_C	600	mA
P_D	1.0	W
T_J, T_{stg}	-55 to +150	$^\circ\text{C}$
θ_{JA}	125	$^\circ\text{C/W}$
θ_{JA}	240	$^\circ\text{C/W}$

ELECTRICAL CHARACTERISTICS: ($T_A=25^\circ\text{C}$ unless otherwise noted)

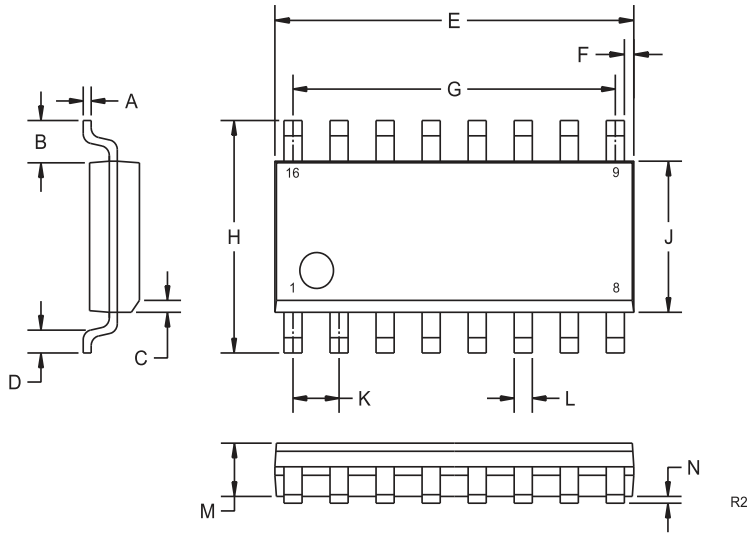
SYMBOL	TEST CONDITIONS	MIN	TYP	MAX	UNITS
I_{CEV}	$V_{CE}=30\text{V}, V_{BE}=0.5\text{V}$			50	nA
I_{CBO}	$V_{CB}=50\text{V}$			20	nA
I_{CBO}	$V_{CB}=50\text{V}, T_A=125^\circ\text{C}$			20	μA
BV_{CBO}	$I_C=10\mu\text{A}$	60			V
BV_{CEO}	$I_C=10\text{mA}$	60			V
BV_{EBO}	$I_E=10\mu\text{A}$	5.0			V
$V_{CE(SAT)}$	$I_C=150\text{mA}, I_B=15\text{mA}$			0.4	V
$V_{CE(SAT)}$	$I_C=500\text{mA}, I_B=50\text{mA}$			1.6	V
$V_{BE(SAT)}$	$I_C=150\text{mA}, I_B=15\text{mA}$			1.3	V
$V_{BE(SAT)}$	$I_C=500\text{mA}, I_B=50\text{mA}$			2.6	V
h_{FE}	$V_{CE}=10\text{V}, I_C=0.1\text{mA}$	75			
h_{FE}	$V_{CE}=10\text{V}, I_C=1.0\text{mA}$	100			
h_{FE}	$V_{CE}=10\text{V}, I_C=10\text{mA}$	100			
h_{FE}	$V_{CE}=10\text{V}, I_C=150\text{mA}$	100		300	
h_{FE}	$V_{CE}=10\text{V}, I_C=500\text{mA}$	50			
f_T	$V_{CE}=20\text{V}, I_C=50\text{mA}, f=100\text{MHz}$		250		MHz
C_{ib}	$V_{EB}=2.0\text{V}, f=100\text{kHz}$		12		pF
C_{ob}	$V_{CB}=10\text{V}, f=100\text{kHz}$		6.0		pF
t_{on}	$V_{CC}=30\text{V}, I_C=150\text{mA}, I_{B1}=15\text{mA}$		30		ns
t_d	$V_{CC}=30\text{V}, I_C=150\text{mA}, I_{B1}=15\text{mA}$		8.0		ns
t_r	$V_{CC}=30\text{V}, I_C=150\text{mA}, I_{B1}=15\text{mA}$		20		ns
t_{off}	$V_{CC}=6.0\text{V}, I_C=150\text{mA}, I_{B1}=I_{B2}=15\text{mA}$		80		ns
t_s	$V_{CC}=6.0\text{V}, I_C=150\text{mA}, I_{B1}=I_{B2}=15\text{mA}$		60		ns
t_f	$V_{CC}=6.0\text{V}, I_C=150\text{mA}, I_{B1}=I_{B2}=15\text{mA}$		20		ns

R2 (1-March 2010)

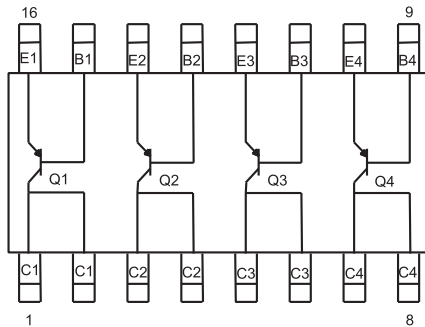
MMPQ2907A
 SURFACE MOUNT
 PNP SILICON
 QUAD TRANSISTORS



SOIC-16 CASE - MECHANICAL OUTLINE



PIN CONFIGURATION



MARKING: FULL PART NUMBER

SYMBOL	DIMENSIONS		DIMENSIONS	
	INCHES		MILLIMETERS	
	MIN	MAX	MIN	MAX
A	0.007	0.010	0.19	0.25
B	0.041		1.04	
C	0.010	0.020	0.25	0.50
D	0.020	0.035	0.50	0.90
E	0.386	0.394	9.80	10.00
F	0.010		0.25	
G	0.350		8.89	
H	0.228	0.244	5.80	6.20
J	0.150	0.157	3.80	4.00
K	0.050		1.27	
L	0.0138	0.0201	0.35	0.51
M	0.0531	0.0689	1.35	1.75
N	0.0039	0.0098	0.10	0.25

SOIC-16 (REV:R2)

R2 (1-March 2010)