

rev	ecn no	dr	date
A	---	HZ	2011-08-29
-	-	-	-
-	-	-	-
-	-	-	-
-	-	-	-

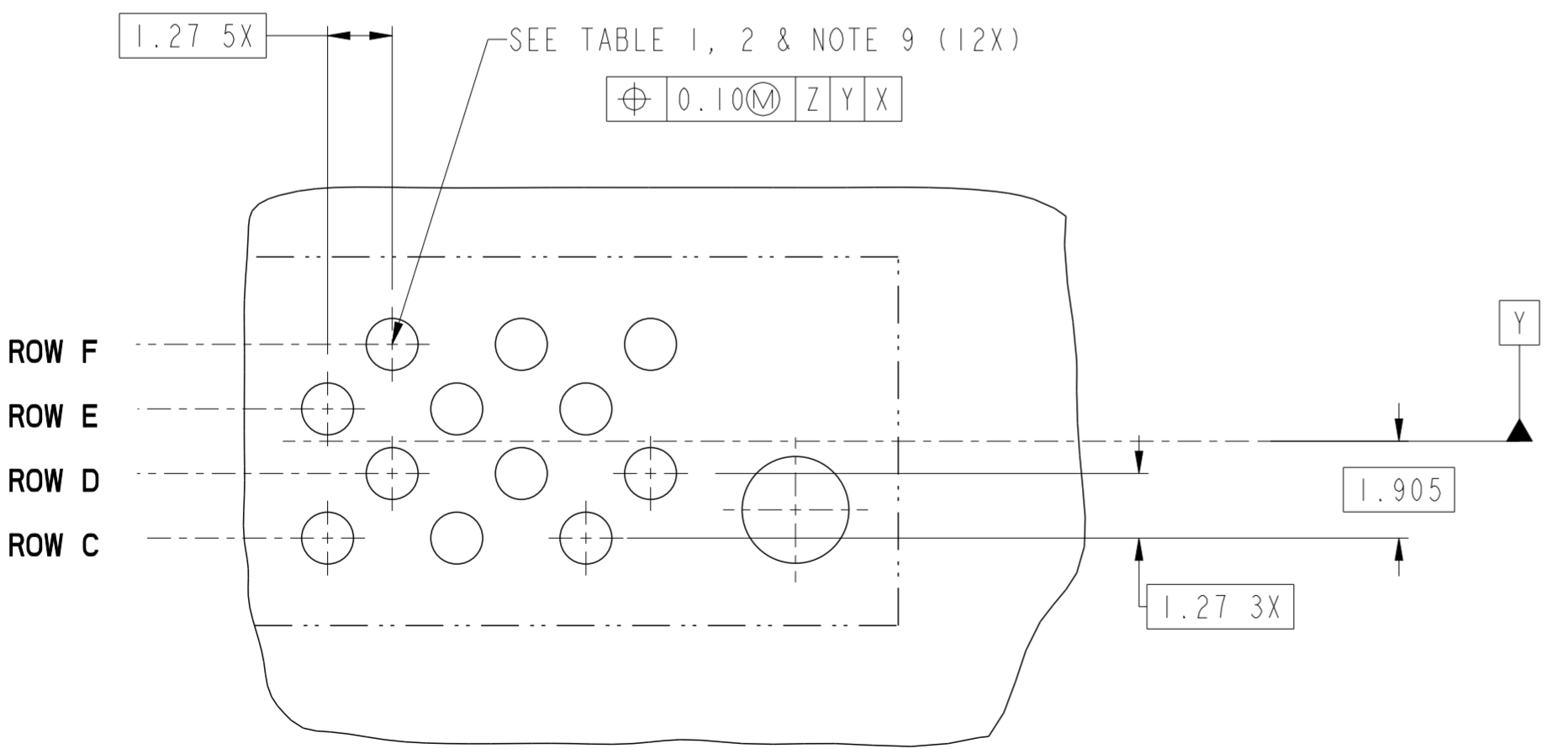
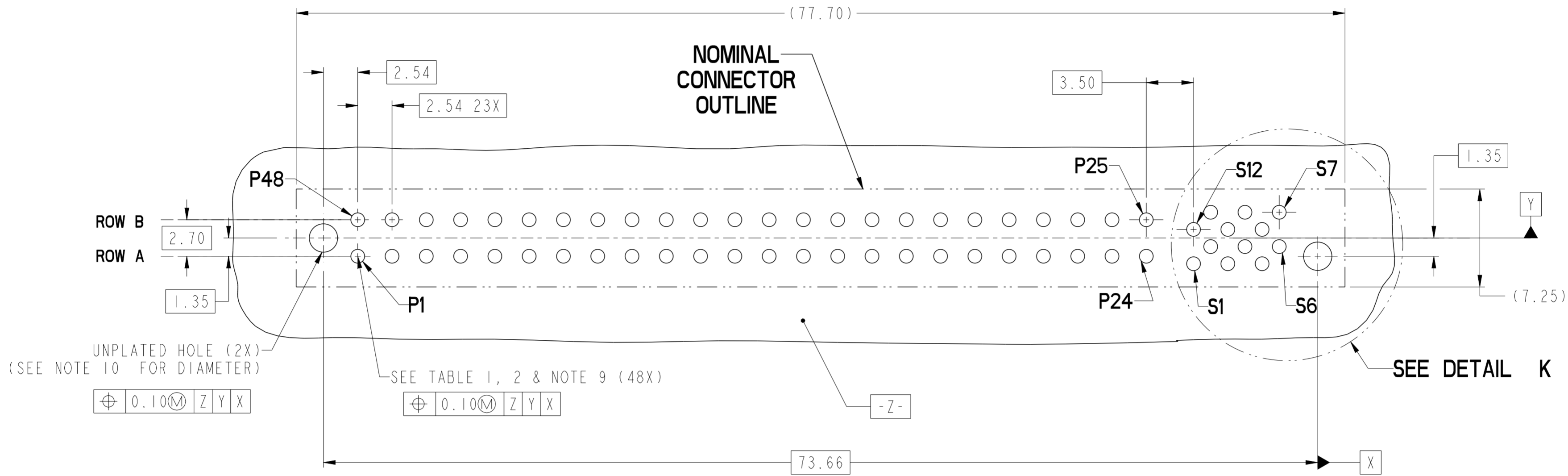
spec ref	-
tolerance std	ASME Y14.5
surface	✓
ASME Y14.5	linear
	0.X ±0.30
	0.XX ±0.10
	0.XXX ±0.05
	angular 0° ±2°

dr	Wei-Long Zhang	2011/07/25
eng	Wei-Long Zhang	2011/09/07
chr	Jon Qin	2011/09/07
appr	Fei-Ming Zheng	2011/09/08

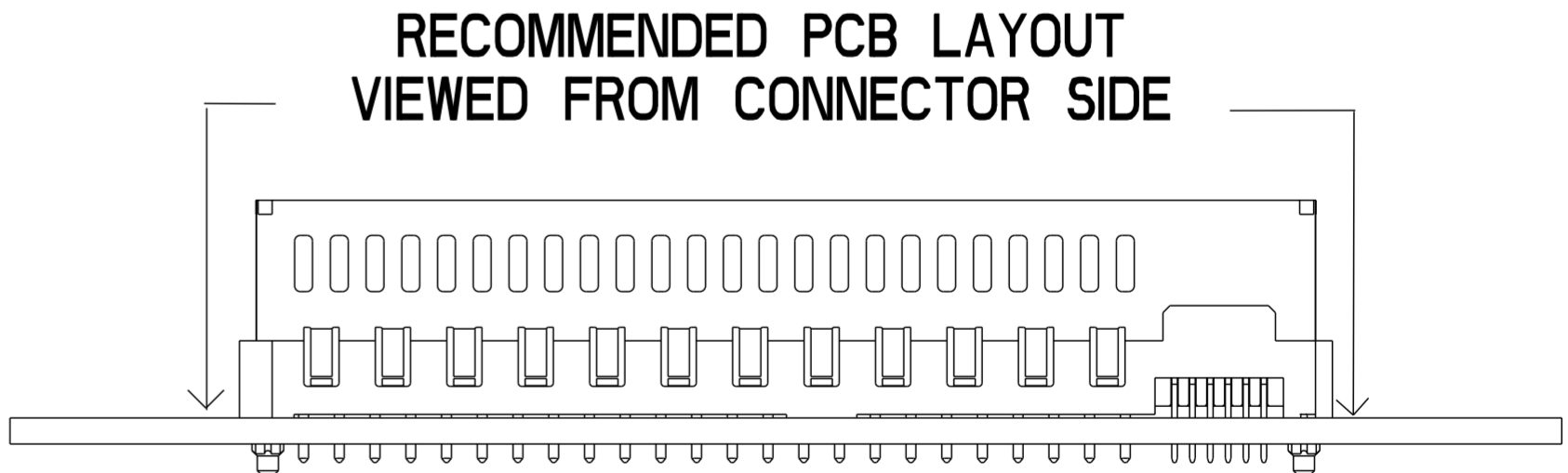
projection	MM
size	A2
scale	4:1
product family	CARD EDGE

ecn no	-
rel level	Released
title	VERT RECT (48P 12S) HIGH POWER CARD EDGE
cat. no.	-
Product	Customer Drw
sheet	1 of 4

Copyright FCI. FCI



**DETAIL K**  
**SCALE 8:1**



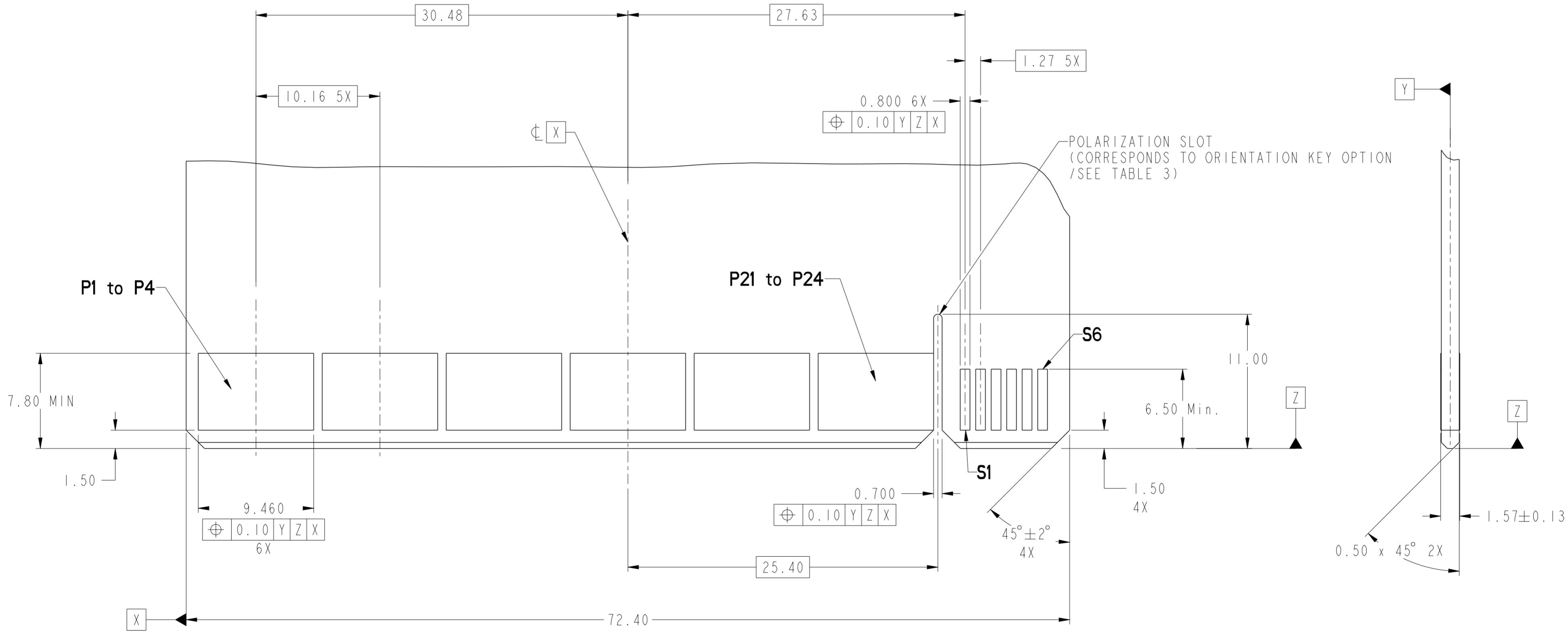
**RECOMMENDED PCB LAYOUT**  
**VIEWED FROM CONNECTOR SIDE**

Copyright FCI.  
**FCI**

dr	Wei-Long Zhang	2011/07/25	projection	MM	size	A2	scale	4:1
eng	Wei-Long Zhang	2011/09/07			ecn no	-	rel level	Released
chr	Jon Qin	2011/09/07						
appr	Pai-Ming Zheng	2011/09/08	product family	CARD EDGE				
		TITLE VERT RECT (48P 12S) HIGH POWER CARD EDGE			dwg no 10118807	rev A		
www.fci.com		cat. no.	Product - Customer Drw			sheet 2 of 4		

CONTACT TYPE	TOP LAYER DESCRIPTION	TABLE 1 (HPCE / SOLDER TAILS) PLATED THROUGH-HOLE REQUIREMENTS				
		DRILLED HOLE DIAMETER	COPPER THICKNESS	TIN-LEAD THICKNESS	TIN THICKNESS	FINISHED HOLE DIAMETER
POWER & SIGNAL	TIN-LEAD	1.10-1.16 (1.15 DRILL)	0.025 - 0.050	0.005 - 0.015	--	0.94 - 1.10
	IMMERSION TIN	1.10-1.16 (1.15 DRILL)	0.025 - 0.050	--	0.9 - 1.5um	0.94 - 1.10
	COPPER (SEE NOTE 8)	1.10-1.16 (1.15 DRILL)	0.025 - 0.050	--	--	0.94 - 1.10

CONTACT TYPE	TOP LAYER DESCRIPTION	TABLE 2 (HPCE / PRESS-FIT TAILS) PLATED THROUGH-HOLE REQUIREMENTS				
		DRILLED HOLE DIAMETER	COPPER THICKNESS	TIN-LEAD THICKNESS	TIN THICKNESS	FINISHED HOLE DIAMETER
POWER & SIGNAL	TIN-LEAD	0.81-0.86 (0.85 DRILL)	0.025 - 0.050	0.005 - 0.015	--	0.65 - 0.80
	IMMERSION TIN	0.81-0.86 (0.85 DRILL)	0.025 - 0.050	--	0.9 - 1.5um	0.70 - 0.80
	COPPER (SEE NOTE 8)	0.81-0.86 (0.85 DRILL)	0.025 - 0.050	--	--	0.70 - 0.80



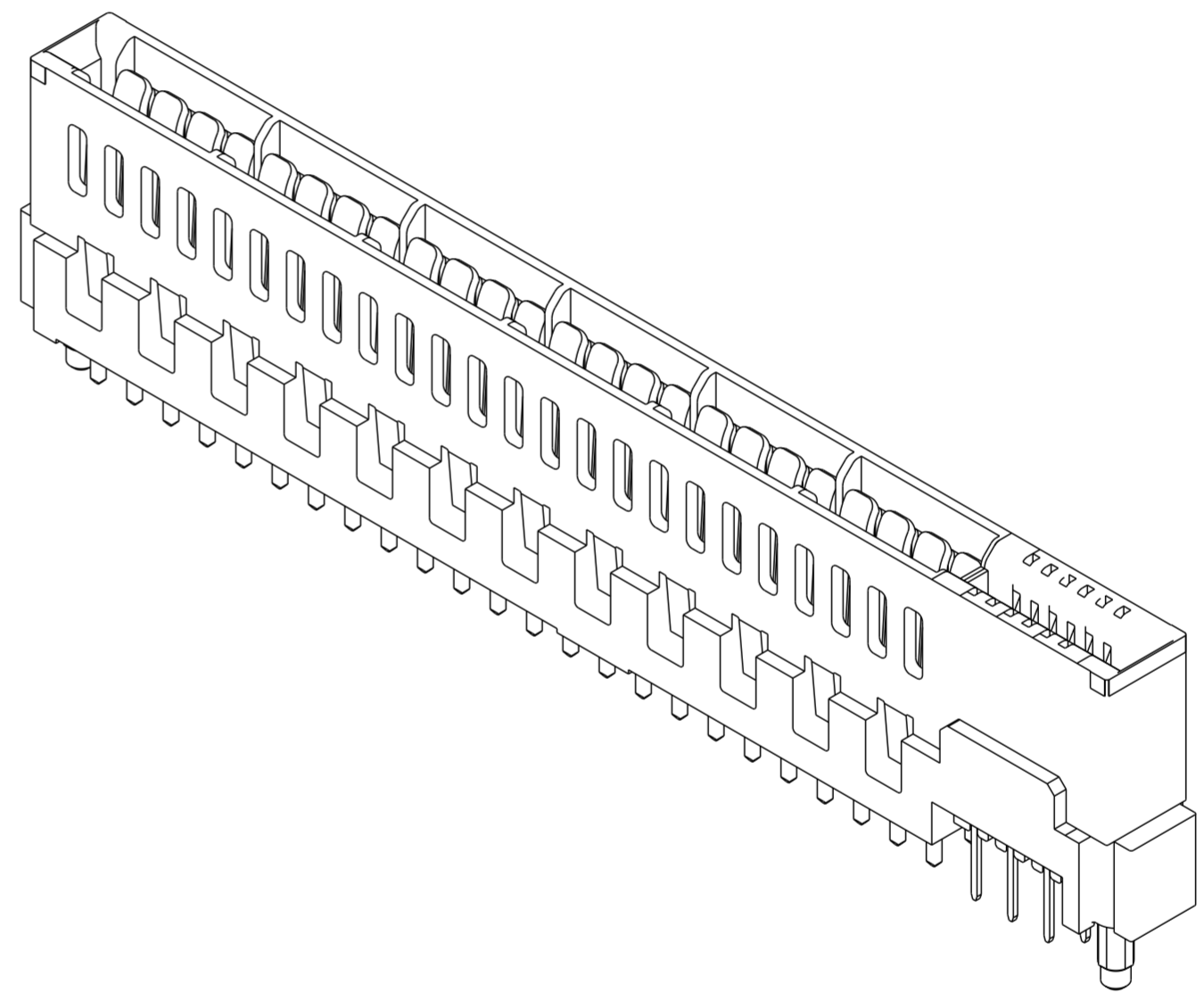
RECOMMENDED MATING BOARD FOOTPRINT

dr	Wei-Long Zhang	2011/07/25	projection	MM	size	A2	scale	4:1
eng	Wei-Long Zhang	2011/09/07		CARD EDGE	ecn no.	-	rel level	Released
chr	Jon Qin	2011/09/07						
appr	Pai-Ming Zheng	2011/09/08	product family	CARD EDGE	rel level	Released		
		title VERT RECT (48P 12S) HIGH POWER CARD EDGE	dwg no. 10118807	rev A				
www.fci.com		cat. no.	-	Product - Customer Drw	sheet 3 of 4			

Copyright FCI. FCI

HPCE PART NUMBER (TABLE 3)

PART NUMBER	TAIL TYPE	ORIENTATION KEY	DIM "A" TYPICAL TAIL LENGTH	DIM "B" RECOMMENDED BOARD THICKNESS
10118807-001LF	SOLDER	YES	3.17 ±0.25	1.59 - 2.38
10118807-002LF	SOLDER	NO		
10118807-003	PRESS-FIT	YES	3.17 ±0.25	1.57 MIN
10118807-003LF	PRESS-FIT	YES		
10118807-004	PRESS-FIT	NO		
10118807-004LF	PRESS-FIT	NO		



NOTES:

1. CONNECTOR MATERIALS:  
 HOUSING: HIGH TEMPERATURE THERMAL PLASTIC, BLACK  
 UL 94V-0 COMPLIANT  
 CONTACTS: HIGH PERFORMANCE COPPER ALLOY.
2. CONTACT FINISH REF. GS-12-604 SECTION 5.2.
3. PRODUCT SPECIFICATION: GS-12-604.
4. APPLICATION SPECIFICATION: GS-20-128.
5. PRODUCT MARKING (FCI - PART NUMBER & DATE CODE) ON HOUSING IN AREA SHOWN.
6. PACKAGING MEETS FCI SPECIFICATION GS-14-937.
7. HOUSING COMPONENT WILL WITHSTAND EXPOSURE TO 260°C PEAK TEMPERATURE FOR 60 SECONDS IN A CONVECTION, INFRA-RED, OR VAPOR PHASE REFLOW OVEN.
8. COPPER PLATING THICKNESS IN CENTER OF VIA-HOLE CAN BE NO MORE THAN 0.003 LESS THAN OTHER AREAS.
9. ALL HOLE SIZES ARE FINISHED HOLE SIZES.
10. MOUNTING HOLES ARE UNPLATED  
 Ø 2.40 +/- 0.1 FOR PRESS-FIT TAILS  
 Ø 2.10 +/- 0.1 FOR SOLDER TAILS

dr	Wei-Long Zhang	2011/07/25	projection	MM	size	A2	scale	4:1
eng	Wei-Long Zhang	2011/09/07			ecn no.	-	rel level	
chr	Jon Qin	2011/09/07			product family	CARD EDGE	rel level	Released
appr	Pei-Ming Zheng	2011/09/08			title	VERT RECT (48P 12S)		cat. no.
					dwg no.	10118807		rev
							Product - Customer Drw	
							sheet 4 of 4	

Copyright FCI. FCI