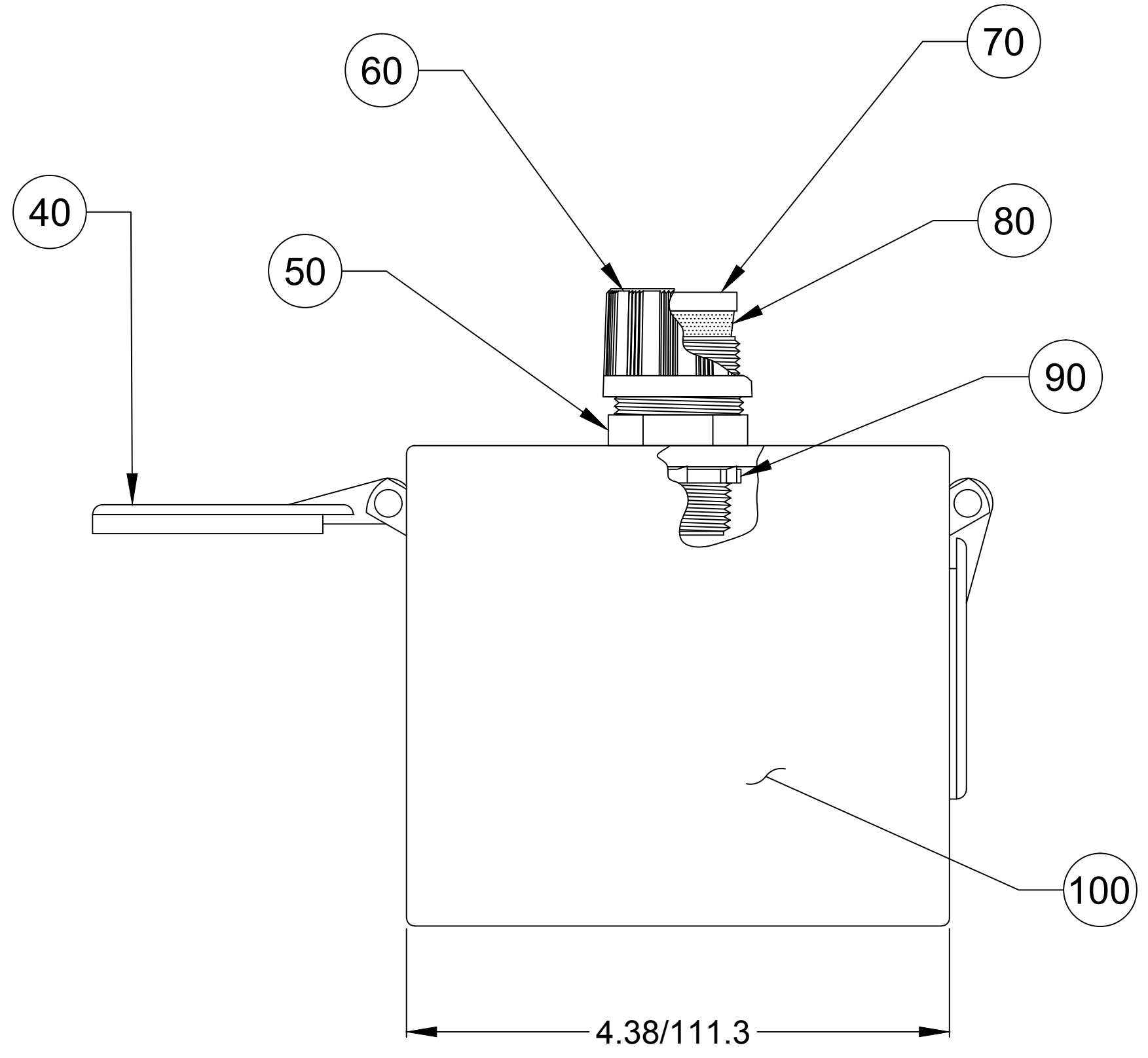
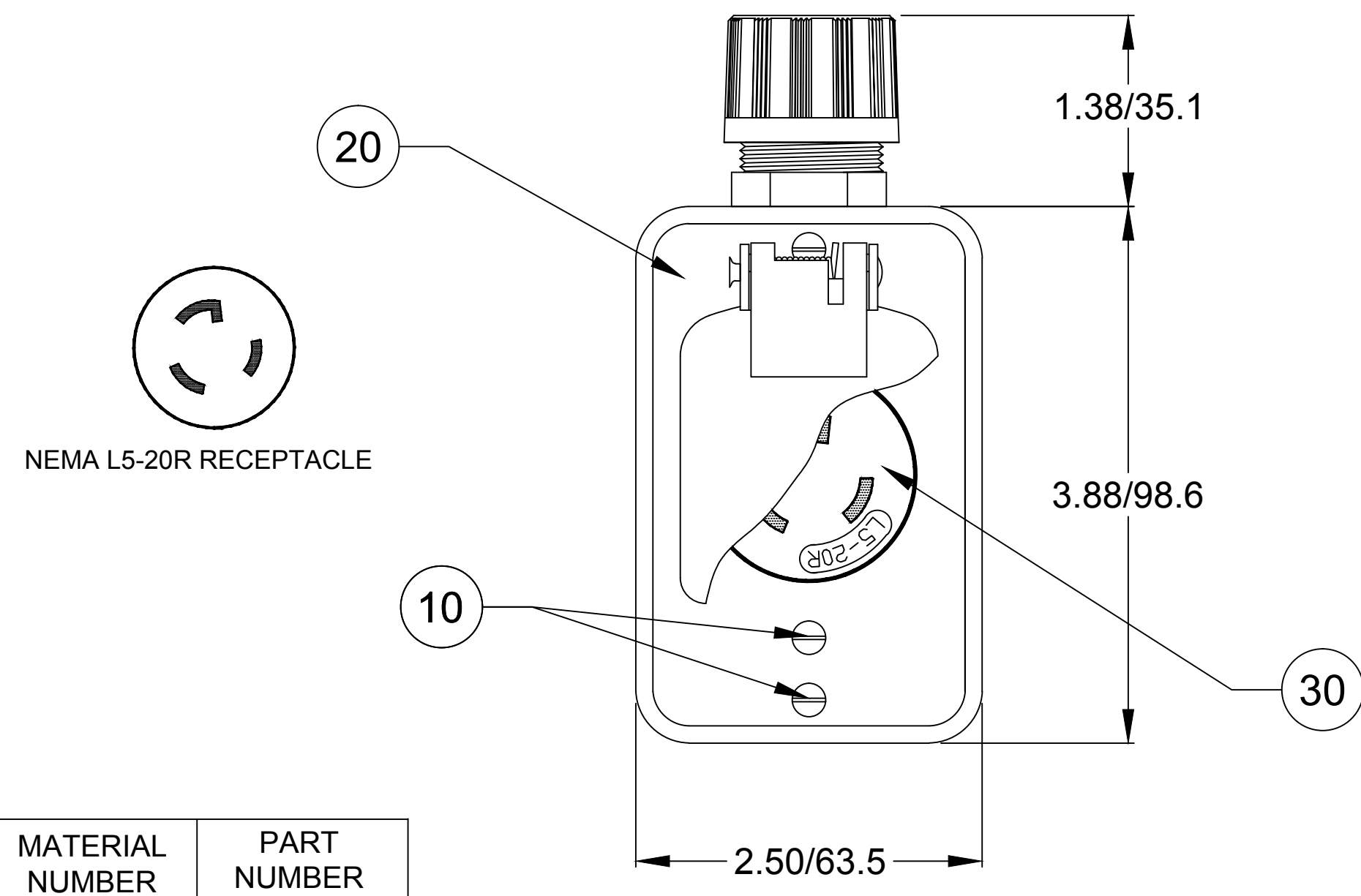


ITEM NO.	COMPONENT & SUB-COMPONENTS *	MATERIAL	FINISH
10	SCREW	STAINLESS STEEL	-----
20	COVER PLATE	NYLON	BLACK
30	SINGLE RECEPTACLE NEMA L5-20R 20A/120V	-----	BLACK
40	FLIP COVER ASSEMBLY	-----	-----
	* FLIP COVER	POLYCARBONATE	BLACK
	* FLIP COVER GASKET	NEOPRENE	BLACK
	* TORSION SPRING	STAINLESS STEEL	PASSIVATED
	* RIVET	BRASS	BRIGHT NICKEL PLATING
	* FLIP COVER BRACKET	COLD ROLL STEEL	BRIGHT NICKEL PLATING
50	CORD GRIP	POLYBUTYLENE TEREPHTHALATE	BLACK
60	COMPRESSION NUT	POLYBUTYLENE TEREPHTHALATE	BLACK
70	FRICTION RING	HIGH-DENSITY POLYETHELENE	NATURAL
80	GROMMET	NITRILE PVC	SEE NOTE 1
90	LOCKNUT	STEEL	ZINC FINISH
100	OUTLET BOX	RUBBER	BLACK



MATERIAL NUMBER	PART NUMBER
1301370297	3088-3BLK

- NOTES:**
- KIT INCLUDES WITH 3 GROMMETS FOR VARIOUS CORD RANGES.
    - GRAY GROMMET- CORD RANGE 0.500" - 0.625"
    - GREEN GROMMET - CORD RANGE 0.562" - 0.687"
    - ORANGE GROMMET - CORD RANGE 0.625" - 0.750"

RELEASE EC NO: ICG2013-1397 DRWN: HRUIZ01 2013/03/07 CH'KD: HKNEELAN APPR: JFMURPHY 2013/03/26	QUALITY SYMBOL	GENERAL TOLERANCES (UNLESS SPECIFIED)	DIMENSION STYLE INCH/MM	SCALE NTS	DESIGN UNITS INCH	THIRD ANGLE PROJECTION																															
	▽=0 ∇=0	<table border="1"> <thead> <tr> <th></th> <th>mm</th> <th>INCH</th> </tr> </thead> <tbody> <tr> <td>4 PLACES</td> <td>±---</td> <td>±---</td> </tr> <tr> <td>3 PLACES</td> <td>±---</td> <td>±.005</td> </tr> <tr> <td>2 PLACES</td> <td>±.13</td> <td>±.010</td> </tr> <tr> <td>1 PLACE</td> <td>±.25</td> <td>±.020</td> </tr> </tbody> </table>		mm	INCH	4 PLACES	±---	±---	3 PLACES	±---	±.005	2 PLACES	±.13	±.010	1 PLACE	±.25	±.020	<table border="1"> <thead> <tr> <th>DRAWN BY</th> <th>DATE</th> <th>TITLE</th> </tr> </thead> <tbody> <tr> <td>HRUIZ01</td> <td>2013/03/07</td> <td rowspan="2">SUPER-SAFEWAY OUTLET BOX WITH TWO SINGLE RECEPTACLES W/ FLIP LIDS</td> </tr> <tr> <td>CHECKED BY</td> <td>DATE</td> </tr> <tr> <td>HKNEELAN</td> <td>2013/03/15</td> <td rowspan="2">MOLEX INCORPORATED</td> </tr> <tr> <td>APPROVED BY</td> <td>DATE</td> </tr> <tr> <td>JFMURPHY</td> <td>2013/03/26</td> <td>DOCUMENT NO. SD-130137-032</td> </tr> </tbody> </table>	DRAWN BY	DATE	TITLE	HRUIZ01	2013/03/07	SUPER-SAFEWAY OUTLET BOX WITH TWO SINGLE RECEPTACLES W/ FLIP LIDS	CHECKED BY	DATE	HKNEELAN	2013/03/15	MOLEX INCORPORATED	APPROVED BY	DATE	JFMURPHY	2013/03/26	DOCUMENT NO. SD-130137-032			
		mm	INCH																																		
	4 PLACES	±---	±---																																		
3 PLACES	±---	±.005																																			
2 PLACES	±.13	±.010																																			
1 PLACE	±.25	±.020																																			
DRAWN BY	DATE	TITLE																																			
HRUIZ01	2013/03/07	SUPER-SAFEWAY OUTLET BOX WITH TWO SINGLE RECEPTACLES W/ FLIP LIDS																																			
CHECKED BY	DATE																																				
HKNEELAN	2013/03/15	MOLEX INCORPORATED																																			
APPROVED BY	DATE																																				
JFMURPHY	2013/03/26	DOCUMENT NO. SD-130137-032																																			
	DRAFT WHERE APPLICABLE MUST REMAIN WITHIN DIMENSIONS	MATERIAL NO. 1301370297	SHEET NO. 1 OF 1																																		
		SIZE C	THIS DRAWING CONTAINS INFORMATION THAT IS PROPRIETARY TO MOLEX INCORPORATED AND SHOULD NOT BE USED WITHOUT WRITTEN PERMISSION																																		