

CUSTOMER DRAWING

CATALOG # 15CBS1

ECO #	APPRD.	DATE
07-011633	ELC	23APR09

SAFETY ORGANIZATIONS

THIS FILTER HAS BEEN FORMALLY RECOGNIZED, CERTIFIED OR APPROVED BY THE LISTED AGENCY. ALL TEST/REQUIREMENTS SPECIFIED IN THE LATEST REVISION OF THE FOLLOWING AGENCY STANDARDS HAVE BEEN MET:

- UL RECOGNIZED: UL 498
- CSA CERTIFIED: CSA 22.2, # 42 (THROUGH UL)
- VDE APPROVED: EN 60320-1

OPERATING SPECIFICATIONS

LINE CURRENT/VOLTAGE: 15 AMP, 120/250 VAC,
10 AMP/40°C, 250 VAC

LINE FREQUENCY: 50-60Hz

MAXIMUM LEAKAGE CURRENT,
EACH LINE TO GROUND: 2 μ A @120V 60Hz
5 μ A @250V 50Hz

OPERATING AMBIENT TEMP. RANGE: -10°C TO +40°C @ RATED CURRENT, I_r.

IN AN AMBIENT, T₀, HIGHER THAN 40°C, THE MAXIMUM OPERATING CURRENT, I₀, IS AS FOLLOWS:

$$I_0 = I_r \sqrt{\frac{100 - T_0}{60}}$$

RELIABILITY SPECIFICATIONS:

STORAGE TEMPERATURE: -40°C TO +85°C
HUMIDITY: 21 DAYS @ 40°C 95% RH.
CURRENT OVERLOAD TEST: 6 TIMES I_r FOR 8 SECONDS

TEST SPECIFICATIONS:

INDUCTANCE: 0 mH NOMINAL
CAPACITANCE: (MEASURED @ 1KHz, 0.250VAC MAX., 25°C±1°C)
LINE TO GROUND: N/A
LINE TO LINE: N/A
DISCHARGE RESISTOR: N/A
L/G AND L/L I.R.: N/A
NO DISCHARGE RESISTOR: 6000MΩ (MIN.) @ 100VDC, 20°C AND 50% RH

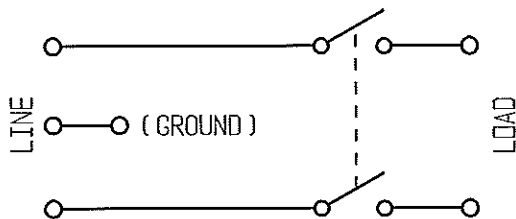
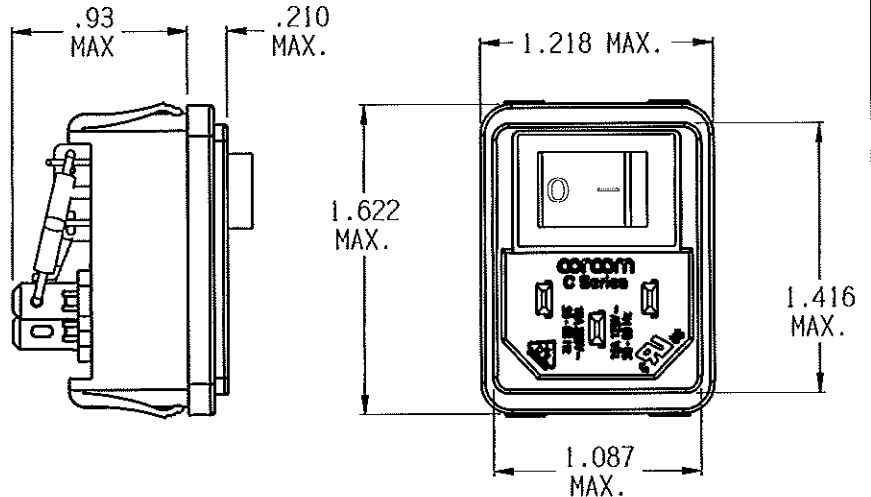
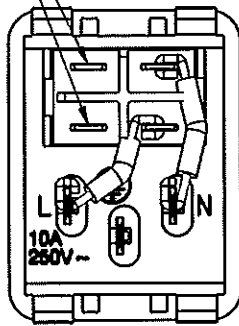
RECOMMENDED RECEIVING INSPECTION HIPOT:

LINE TO GROUND: 1500 VAC FOR 1 MINUTE
LINE TO LINE: 1450 VDC FOR 1 MINUTE

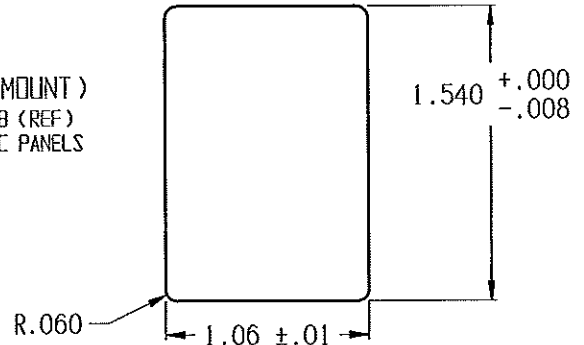
FILTER APPROVAL:

THE BEST WAY TO SELECT AND QUALIFY A FILTER IS FOR YOUR ENGINEERING TO TEST THE UNIT IN YOUR EQUIPMENT.

TERMINALS
4.8mm DIN, Ø1.4mm HOLE
1.87", Ø.055" HOLE



PANEL CUTOUT (FRONT MOUNT)
PANEL THICKNESS 0.031-0.098 (REF)
NOT RECOMMENDED FOR PLASTIC PANELS



50 Ω - 50 Ω (MINIMUM) INSERTION LOSS

FREQUENCY MHz	/	/	/	/	/	/	/	/	/	/	/	/	/	/
COMMON dB	/	/	/	/	/	/	/	/	/	/	/	/	/	/
DIFF. dB	/	/	/	/	/	/	/	/	/	/	/	/	/	/

PARTS SHALL COMPLY WITH TYCO ELECTRONICS 290-702 SPECIFICATION FOR HAZARDOUS SUBSTANCES

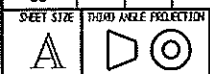
UNLESS OTHERWISE SPECIFIED
TOLERANCE TO BE ±0.025
MATERIAL & FINISH: AS SUPPLIED

NOTES:



POWER ENTRY MODULE

TYCO ELECTRONICS PART NO. 1-1609112-3



THIS INFORMATION IS CONFIDENTIAL AND PROPRIETARY TO TYCO ELECTRONICS CORPORATION AND ITS WORLDWIDE SUBSIDIARIES AND AFFILIATES. IT MAY NOT BE DISCLOSED TO ANYONE OTHER THAN TYCO ELECTRONICS PERSONNEL, WITHOUT WRITTEN AUTHORIZATION FROM TYCO ELECTRONICS CORPORATION, WARRENSBURG, PENNSYLVANIA USA.

CVM AVAILABLE	YES	NO
	<input checked="" type="checkbox"/>	<input type="checkbox"/>

SCALE: 1:1	DATE: 15JUL08	DRAWING NUMBER: 15CBS1	REV. A
DRW. BY: LJO	DRG: ELC		