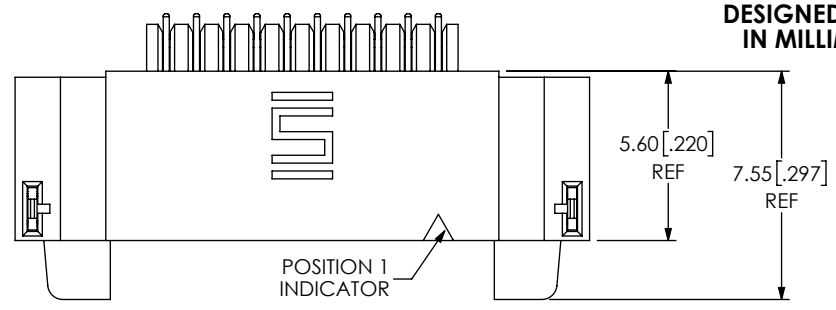


DO NOT  
SCALE FROM  
THIS PRINT



T1M-XX-XX-DH-XX

No OF POSITIONS (PER ROW)  
-02 THRU -20

PACKAGING  
BLANK: TAPE & REEL  
(SEE NOTES 3, 4 & 5)  
-FR: FULL REEL QTY TAPE & REEL  
(SEE NOTES 4 & 5)

PLATING SPECIFICATION  
-T: MATTE TIN CONTACT AND TAIL  
(FOR EXISTING CUSTOMER ONLY)  
-GF: 3μ" GOLD CONTACT AND TAIL

TAIL OPTION  
-DH: HORIZONTAL

PATENT PENDING

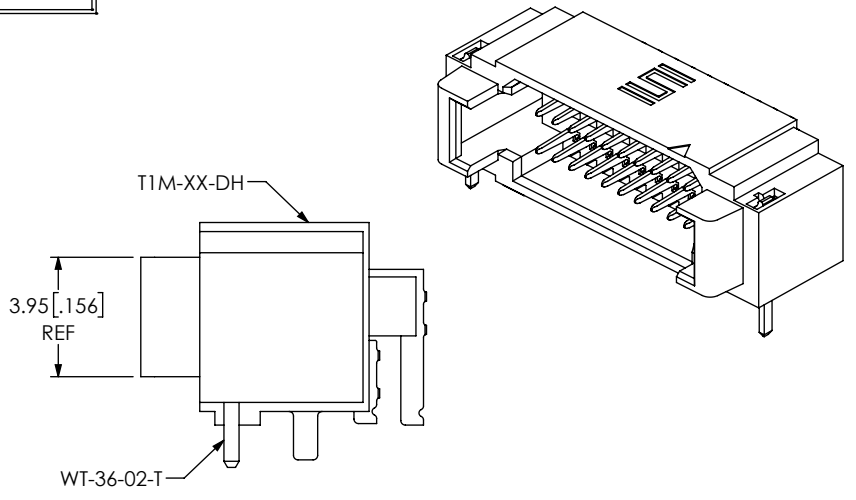
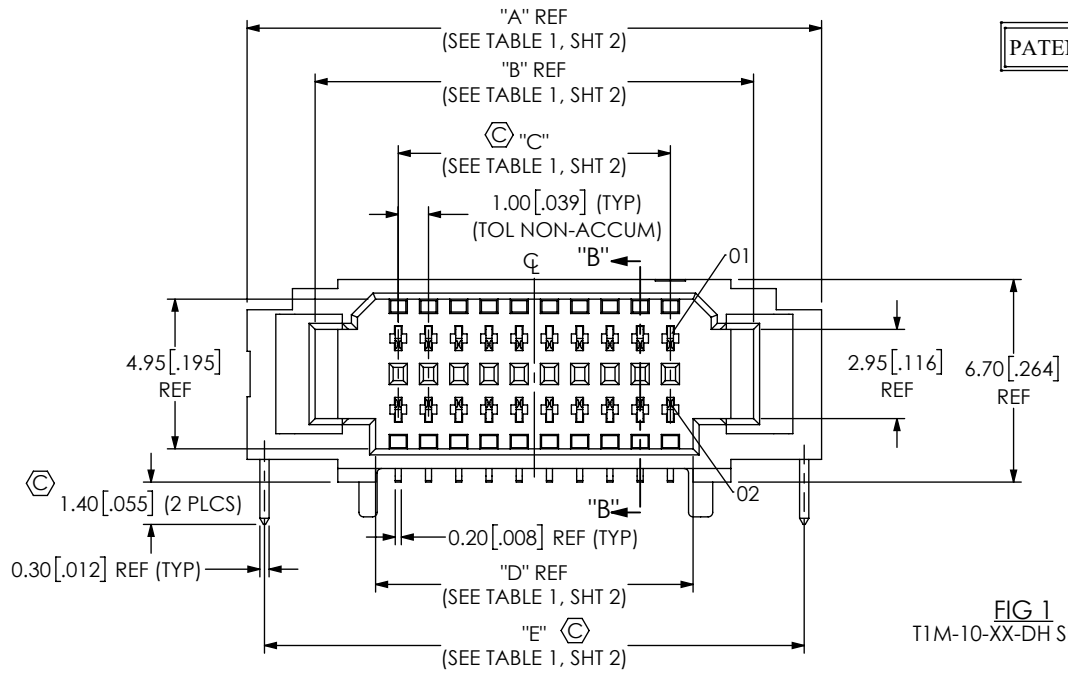
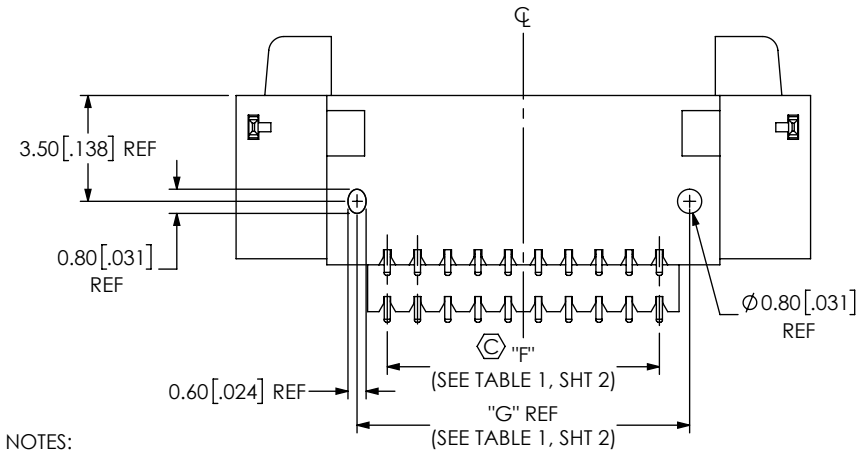


FIG 1  
T1M-10-XX-DH SHOWN



- NOTES:
1. (C) REPRESENTS A CRITICAL DIMENSION.
  2. MINIMUM PUSHOUT FORCE: 2.22N [.5 LB] FOR SIGNAL AND WELD TAB.
  3. TAPE AND REEL IS STANDARD PACKAGING.
  4. ORDERS WILL BE PACKAGED ACCORDING TO THE SAMTEC PACKAGING EFFICIENCY STANDARDS (SPES) FOUND ON WWW.SAMTEC.COM.
  5. ATTACH LABEL TO EACH REEL.


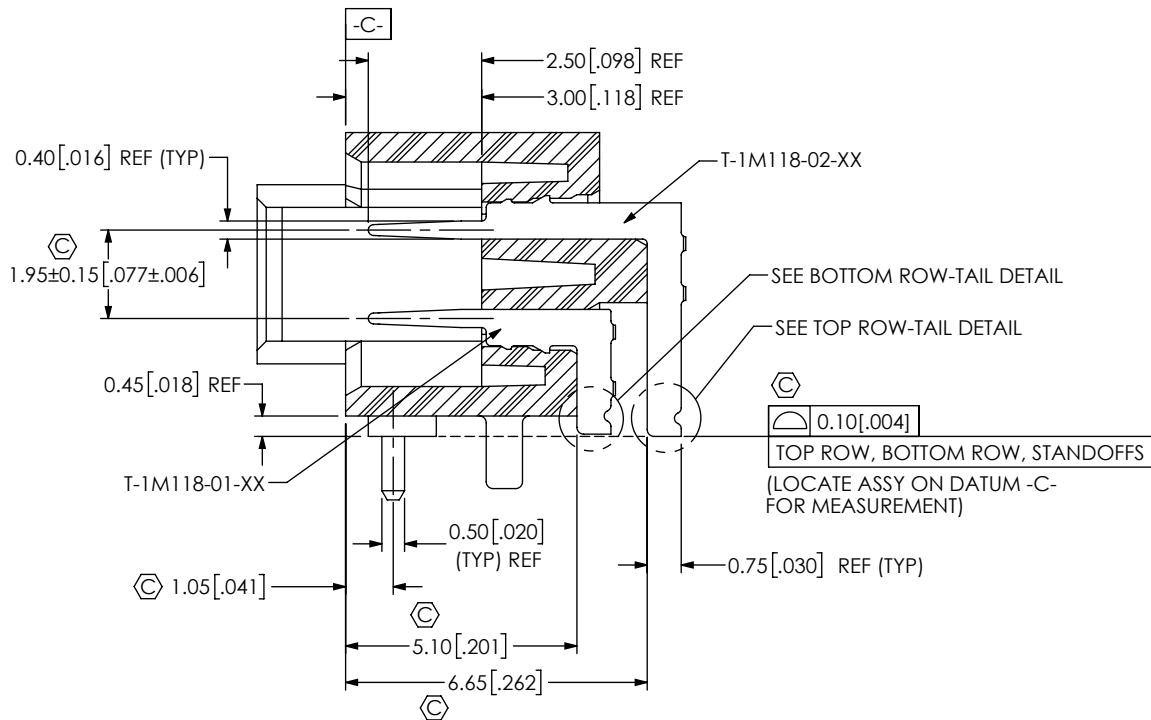
UNLESS OTHERWISE SPECIFIED, DIMENSIONS ARE IN MILLIMETERS. TOLERANCES ARE: DECIMALS      ANGLES X.X: ±0.3 [.01]      2° X.XX: ±0.13 [.005] X.XXX: ±0.051 [.0020]	* PROPRIETARY NOTE * THIS DOCUMENT CONTAINS CONFIDENTIAL AND PROPRIETARY INFORMATION AND ALL DESIGN, MANUFACTURING, REPRODUCTION, USE, PATENT RIGHTS AND SALES RIGHTS ARE EXPRESSLY RESERVED BY SAMTEC, INC. THIS DOCUMENT SHALL NOT BE DISCLOSED, IN WHOLE OR PART, TO ANY UNAUTHORIZED PERSON OR ENTITY NOR REPRODUCED, TRANSFERRED OR INCORPORATED IN ANY OTHER PROJECT IN ANY MANNER WITHOUT THE EXPRESS WRITTEN CONSENT OF SAMTEC, INC.	 520 PARK EAST BLVD., NEW ALBANY, IN 47150 PHONE: 812-944-6733    FAX: 812-948-5047 e-Mail: info@SAMTEC.com    code 53322
INSULATOR: LCP UL 94-V0; COLOR: NATURAL TERMINAL: PHOS BRONZE WELD TAB: PHOS BRONZE	DESCRIPTION: 1 MM DOUBLE ROW DISCRETE WIRE HEADER	DWG. NO. T1M-XX-XX-DH-XX
BY: ROY LUO    06/22/2013	SHEET 1 OF 3	

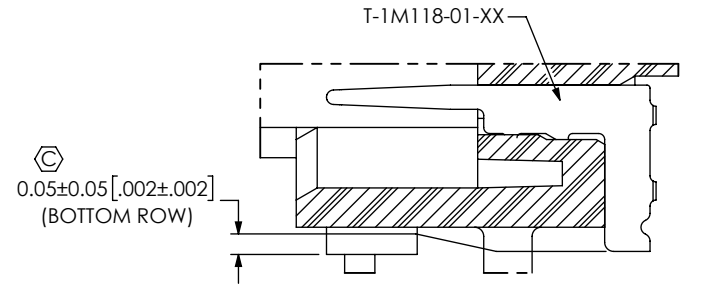
TABLE 1

No OF POS	"A"	"B"	"C"	"D"	"E"	"F"	"G"
-02	11.00 [0.433]	6.50 [0.256]	1.00 [0.039]	2.50 [0.098]	9.850 [0.3878]	1.000 [0.0394]	3.00 [0.118]
-03	12.00 [0.472]	7.50 [0.295]	2.00 [0.079]	3.50 [0.138]	10.850 [0.4272]	2.000 [0.0787]	4.00 [0.157]
-04	13.00 [0.512]	8.50 [0.335]	3.00 [0.118]	4.50 [0.177]	11.850 [0.4665]	3.000 [0.1181]	5.00 [0.197]
-05	14.00 [0.551]	9.50 [0.374]	4.00 [0.157]	5.50 [0.217]	12.850 [0.5059]	4.000 [0.1575]	6.00 [0.236]
-06	15.00 [0.591]	10.50 [0.413]	5.00 [0.197]	6.50 [0.256]	13.850 [0.5453]	5.000 [0.1969]	7.00 [0.276]
-07	16.00 [0.630]	11.50 [0.453]	6.00 [0.236]	7.50 [0.295]	14.850 [0.5846]	6.000 [0.2362]	8.00 [0.315]
-08	17.00 [0.669]	12.50 [0.492]	7.00 [0.276]	8.50 [0.335]	15.850 [0.6240]	7.000 [0.2756]	9.00 [0.354]
-09	18.00 [0.709]	13.50 [0.531]	8.00 [0.315]	9.50 [0.374]	16.850 [0.6634]	8.000 [0.3150]	10.00 [0.394]
-10	19.00 [0.748]	14.50 [0.571]	9.00 [0.354]	10.50 [0.413]	17.850 [0.7028]	9.000 [0.3543]	11.00 [0.433]
-11	20.00 [0.787]	15.50 [0.610]	10.00 [0.394]	11.50 [0.453]	18.850 [0.7421]	10.000 [0.3937]	12.00 [0.472]
-12	21.00 [0.827]	16.50 [0.650]	11.00 [0.433]	12.50 [0.492]	19.850 [0.7815]	11.000 [0.4331]	13.00 [0.512]
-13	22.00 [0.866]	17.50 [0.689]	12.00 [0.472]	13.50 [0.531]	20.850 [0.8209]	12.000 [0.4724]	14.00 [0.551]
-14	23.00 [0.906]	18.50 [0.728]	13.00 [0.512]	14.50 [0.571]	21.850 [0.8602]	13.000 [0.5118]	15.00 [0.591]
-15	24.00 [0.945]	19.50 [0.768]	14.00 [0.551]	15.50 [0.610]	22.850 [0.8996]	14.000 [0.5512]	16.00 [0.630]
-16	25.00 [0.984]	20.50 [0.807]	15.00 [0.591]	16.50 [0.650]	23.850 [0.9390]	15.000 [0.5906]	17.00 [0.669]
-17	26.00 [1.024]	21.50 [0.846]	16.00 [0.630]	17.50 [0.689]	24.850 [0.9783]	16.000 [0.6299]	18.00 [0.709]
-18	27.00 [1.063]	22.50 [0.886]	17.00 [0.669]	18.50 [0.728]	25.850 [1.0177]	17.000 [0.6693]	19.00 [0.748]
-19	28.00 [1.102]	23.50 [0.925]	18.00 [0.709]	19.50 [0.768]	26.850 [1.0571]	18.000 [0.7087]	20.00 [0.787]
-20	29.00 [1.142]	24.50 [0.965]	19.00 [0.748]	20.50 [0.807]	27.850 [1.0965]	19.000 [0.7480]	21.00 [0.827]

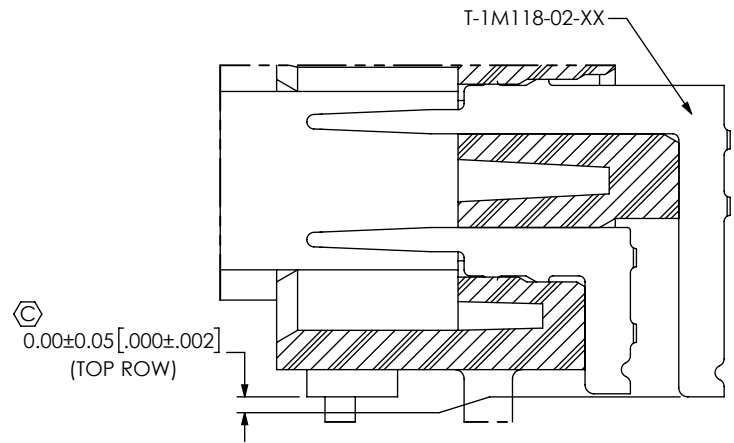


SECTION "B"-"B"  
SCALE 6 : 1

F:\DWG\MISC\MKTG\T1M-XX-XX-DH-XX-MKT.SLDDRW



BOTTOM ROW-TAIL DETAIL  
(LOCATE ASSY ON DATUM -C- FOR MEASUREMENT)



TOP ROW-TAIL DETAIL  
(LOCATE ASSY ON DATUM -C- FOR MEASUREMENT)

**PROPRIETARY NOTE**  
THIS DOCUMENT CONTAINS CONFIDENTIAL AND PROPRIETARY INFORMATION AND ALL DESIGN, MANUFACTURING, REPRODUCTION, USE, PATENT RIGHTS AND SALES RIGHTS ARE EXPRESSLY RESERVED BY SAMTEC, INC. THIS DOCUMENT SHALL NOT BE DISCLOSED, IN WHOLE OR PART, TO ANY UNAUTHORIZED PERSON OR ENTITY NOR REPRODUCED, TRANSFERRED OR INCORPORATED IN ANY OTHER PROJECT IN ANY MANNER WITHOUT THE EXPRESS WRITTEN CONSENT OF SAMTEC, INC.



520 PARK EAST BLVD, NEW ALBANY, IN 47150  
PHONE: 812-944-6733 FAX: 812-948-5047  
e-Mail info@SAMTEC.com code 55322

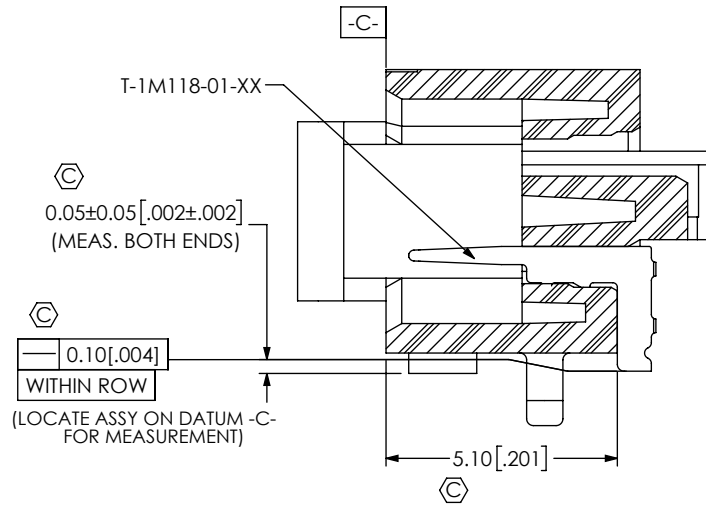
DO NOT SCALE DRAWING

SHEET SCALE: 6:1

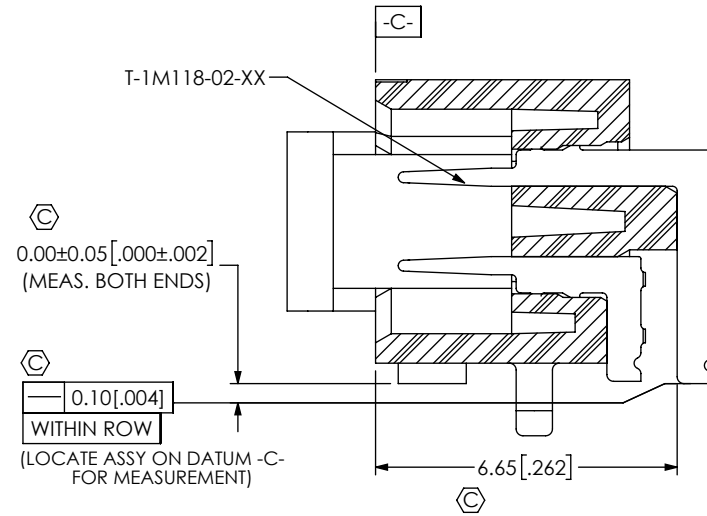
DESCRIPTION:  
1 MM DOUBLE ROW DISCRETE WIRE HEADER

DWG. NO. T1M-XX-XX-DH-XX

BY: ROY LUO 06/22/2013 SHEET 2 OF 3



IN-PROCESS 1  
(FILL BOTTOM ROW)



IN-PROCESS 2  
(FILL TOP ROW)

**PROPRIETARY NOTE**  
 THIS DOCUMENT CONTAINS CONFIDENTIAL AND PROPRIETARY INFORMATION AND ALL DESIGN, MANUFACTURING, REPRODUCTION, USE, PATENT RIGHTS AND SALES RIGHTS ARE EXPRESSLY RESERVED BY SAMTEC, INC. THIS DOCUMENT SHALL NOT BE DISCLOSED, IN WHOLE OR PART, TO ANY UNAUTHORIZED PERSON OR ENTITY NOR REPRODUCED, TRANSFERRED OR INCORPORATED IN ANY OTHER PROJECT IN ANY MANNER WITHOUT THE EXPRESS WRITTEN CONSENT OF SAMTEC, INC.



520 PARK EAST BLVD, NEW ALBANY, IN 47150  
 PHONE: 812-944-6733 FAX: 812-948-5047  
 e-Mail: info@SAMTEC.com code 55322

DO NOT SCALE DRAWING

SHEET SCALE: 6:1

DESCRIPTION:  
**1 MM DOUBLE ROW DISCRETE WIRE HEADER**

DWG. NO.  
**T1M-XX-XX-DH-XX**

BY: ROY LUO 06/22/2013 SHEET 3 OF 3