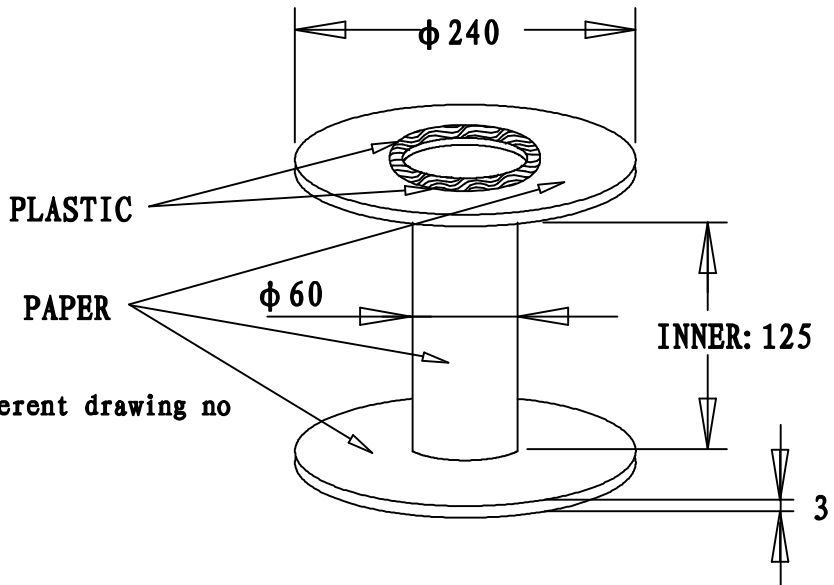


SEC:A-A



Note: Here P/N According to different drawing no

P/N#530-26-10-BL-0500F
"ROHS Compliant"

P/N LABEL

Note: 50X20MM, Black word in white bottom,
Stick at paper reel

500FT/R. "PE" FOAM WRAPPED

PART NO	DRAWING NO	WIRE LENGTH "L"	BUYER COLOR	VENDOR COLOR
530-26-10-BL-0500F	A	500FT/R	Black	BK LIGHT
530-26-10-WH-0500F	B	500FT/R	White	W-103 LIGHT
530-26-10-SV-0500F	C	500FT/R	Silver	S49-1 LIGHT

REVISE	VERSION	BASIS	CONTENTS
12-02-20	A/0	T0210A	NEW DRAWING

CnC Tech, LLC	
Industrial Cable and Connector Technology	
IDRAWING NO: 671-356	CUSTOMER: L-671
ITEM NO: 500FT/R 10C CABLE	UNIT: mm
DATE: 2012-02-20	ISSUE: (A/0)
DRAWN: QE:	QA:
SALES DEPT:	SALES MANAGER: