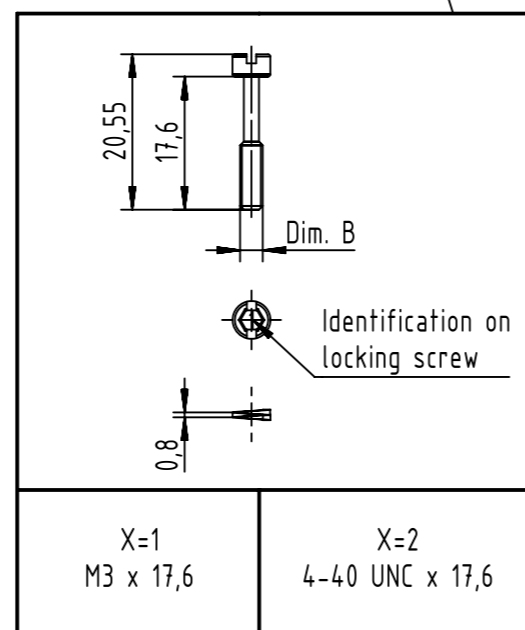
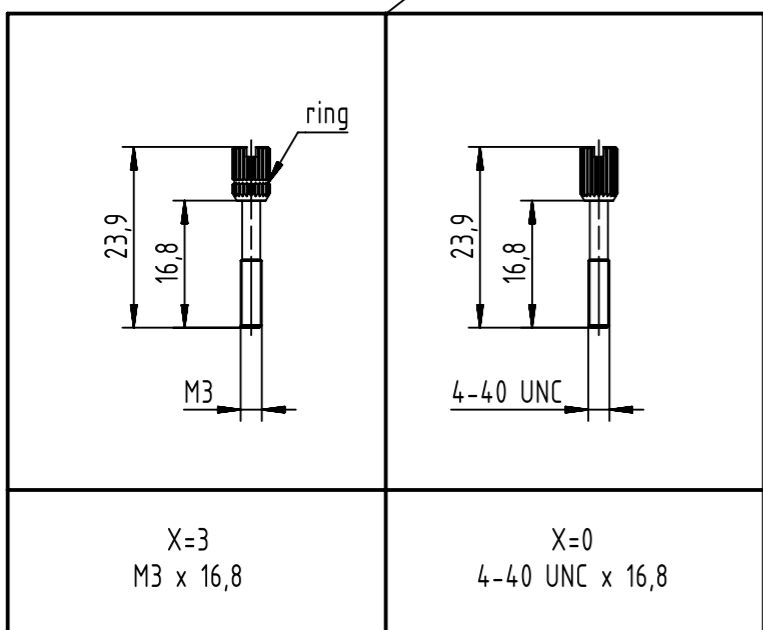


1 For strain relief an additional InduCom cable clamp or a crimp flange and ferrule combination depending on the cable is necessary



| Content InduCom hood | | | Spare parts (MOQ100) | |
|----------------------|----------|---|----------------------|----------|
| Pos. | Quantity | Description | Part Number | Quantity |
| 01 | 1 | metal hood | | |
| 02 | 1 | metal cover | | |
| 03 | 2 | blank piece (not assembled) | 6103 000 0041 | 1 |
| 04 | 2 | locking screw (assembled): | | |
| | | either knurled thumb screws 4-40 UNC (for 0119) | 0967 002 9018 | 1 |
| | | or hexagonal M3 with captive washer (for 1119) | 0967 002 9019 | 1 |
| | | or hexagonal 4-40 UNC with captive washer (for 2119) | 0967 002 9020 | 1 |
| | | or knurled thumb screws M3 (for 3119) | 0967 002 9017 | 1 |
| 05 | 1 | grounding screw (not assembled) for version with internal grounding block | 0963 002 0007 | 1 |
| 06 | 4 | cover screw M2,5 with philips head (not losable in cover) max. torque=0,3Nm | 0963 002 0006 | 1 |

| 6103 001 X119 YYY | | | | |
|-------------------|-------------------|-------------------------------------|----------------------------------|----------------------------------|
| Part Number | Dim. B screw size | Screw type | Identification for locking screw | Internal grounding block |
| 6103 001 0119 | 4-40 UNC | Knurled thumb screw | Without ring | With internal grounding block |
| 6103 001 1119 | M3 | Hexagonal screw with captive washer | 1 | |
| 6103 001 2119 | 4-40 UNC | Hexagonal screw with captive washer | 3 | |
| 6103 001 3119 | M3 | Knurled thumb screw | With ring | Without internal grounding block |
| 6103 001 0119 010 | 4-40 UNC | Knurled thumb screw | Without ring | |
| 6103 001 1119 010 | M3 | Hexagonal screw with captive washer | 1 | |
| 6103 001 2119 010 | 4-40 UNC | Hexagonal screw with captive washer | 3 | |
| 6103 001 3119 010 | M3 | Knurled thumb screw | With ring | |

All Dimensions in mm
Original Size DIN A3

Scale 1:1

Free size tol.

Ref. Sub.

All rights reserved
Department EC PD - CN

Created by ZENG D

Inspected by LUOK

Standardisation HOFFMANN

Date 2018-03-08

State Final Release

HARTING Electronics GmbH
D-32339 Espelkamp

Title InduCom size 5 (50-pole) easy access hood assembly

Type TB

Number 6103001X119

Doc-Key / ECM-Nr.
100522751/UGD/000/E
500000132046

Rev. E

Page 1/1