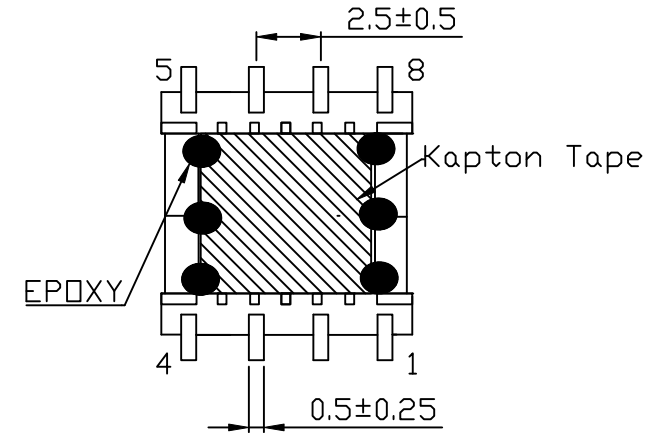
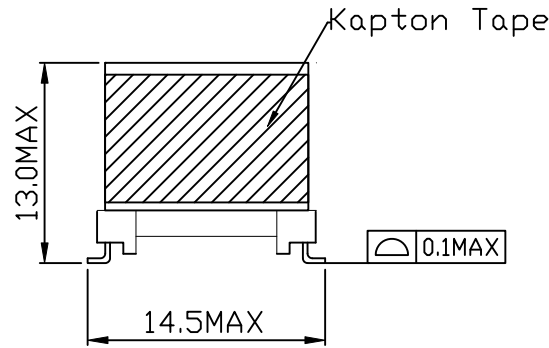
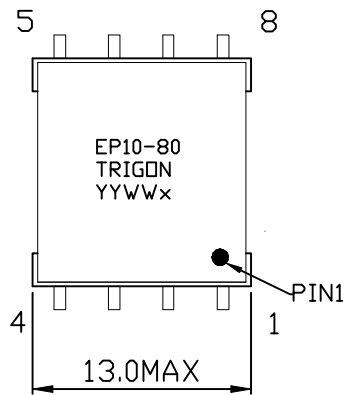


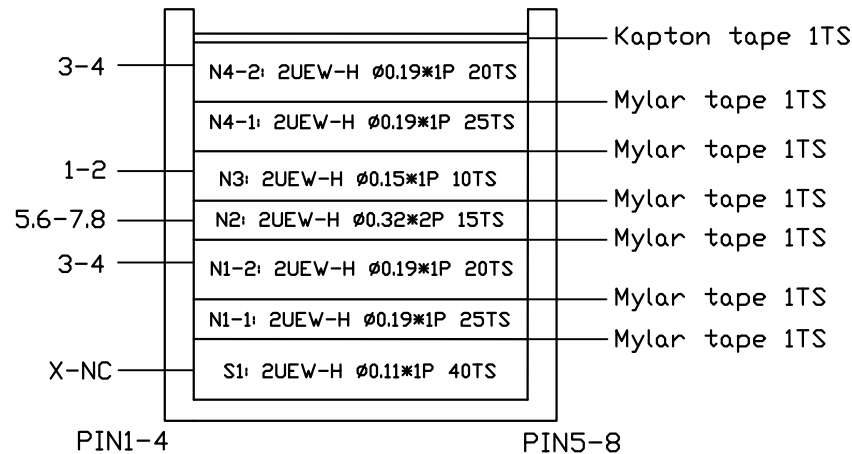
CONFIGURATION & DIMENSIONS: (mm)



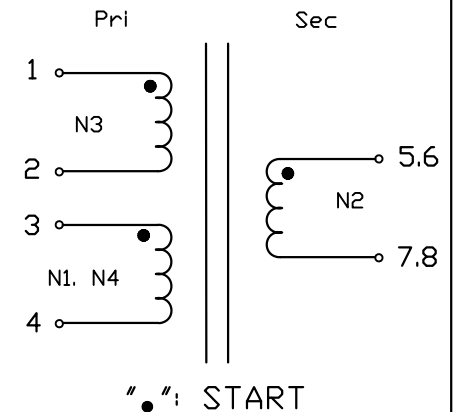
ELECTRICAL SPECIFICATION: @25°C

Inductance: @10KHz/0.1V
 L(3-4): 80uH±10%
 Inductance drop 20% Typ @2.0A
 Leakage Inductance: @100KHz/0.1V
 LK(3-4): 8.0uH MAX
 (short other PINS)
 DCR:
 R(3-4): 0.35Ω MAX
 R(1-2): 0.3Ω MAX
 R(5.6-7.8): 45mΩ MAX
 HI-POT:
 Pri to Sec: 1850VAC/5mA/1S
 Turns Ratio: @20KHz/1V
 (3-4):(1-2)=1:0.222±5%
 (3-4):(5.6-7.8)=1:0.333±3%

WINDING CONSTRUCTION:



SCHEMATIC:



NOTE:

This part is ROHS compliant

| | | | | | | | | | | | |
|------------------|--|--|--|--------------------|-------------|------------|--|-------|----|-------|------|
| TOL UNLESS NOTED | | | | TITLE: TRANSFORMER | | | PART NO: YEP10S-8P80UH | | | | |
| .X: ±0.40mm | | | | | APPROVED BY | CHECKED BY | DRAWN BY | UNIT | mm | SCALE | NONE |
| .XX: ±0.25mm | | | | | ES | LL | JK | SHEET | 1 | OF | 1 |
| .XXX: ±0.10mm | | | | | 01 | 08-31-2018 | JK | | | | |
| ANGLE: ±3.0° | | | | REV | DATE | SIGN | TRIGON COMPONENTS, INC. www.trigoncomponents.com | | | | |